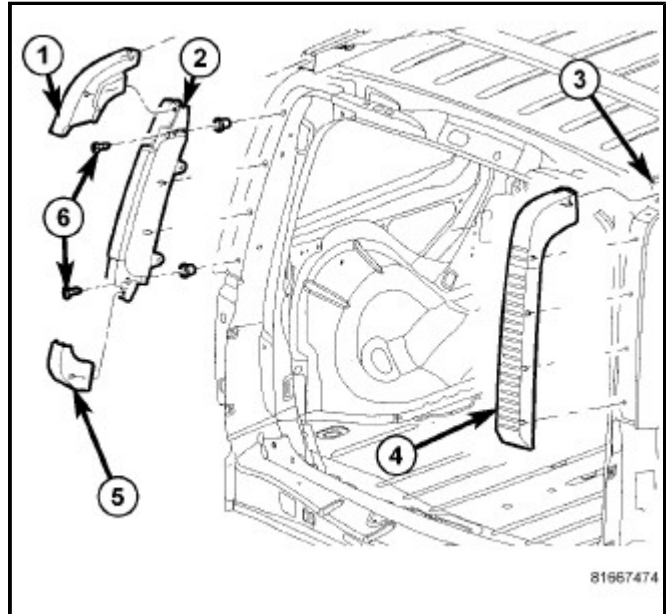
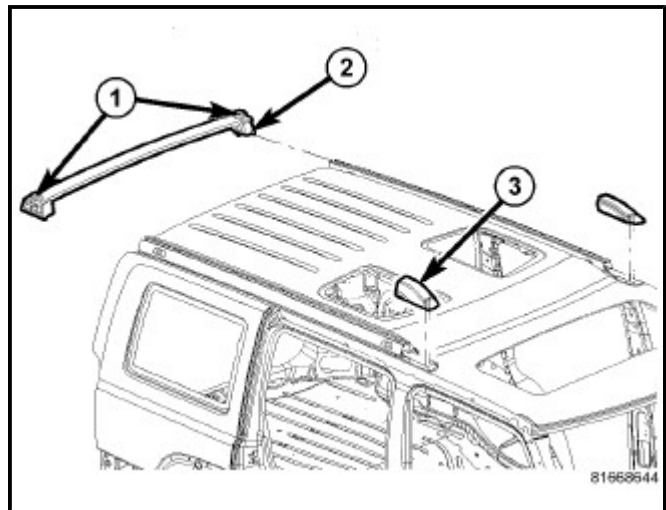


Removal - Commander luggage rack

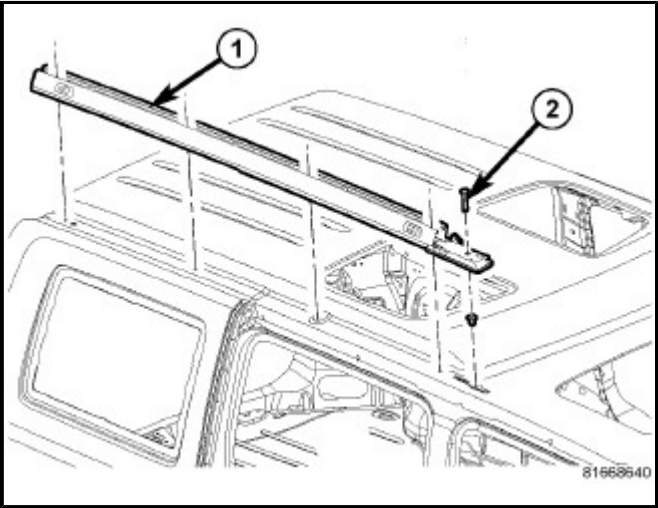
1. For vehicles equipped with grab handles, use a trim stick C-4755 or equivalent and separate the upper grab handle cover (1).
2. For vehicles equipped with applique, remove the push pin fasteners and using a trim stick C-4755 or equivalent remove the rear applique (4).



3. Remove luggage rack end covers (3), pull straight up.
4. Loosen the cross bar knobs (1) and remove the cross bars, if equipped.

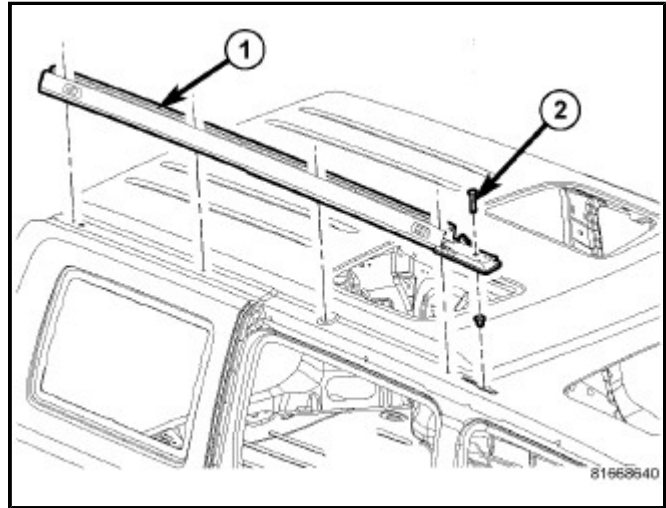


5. Remove the mounting screws (2).
6. Remove luggage rack bars.

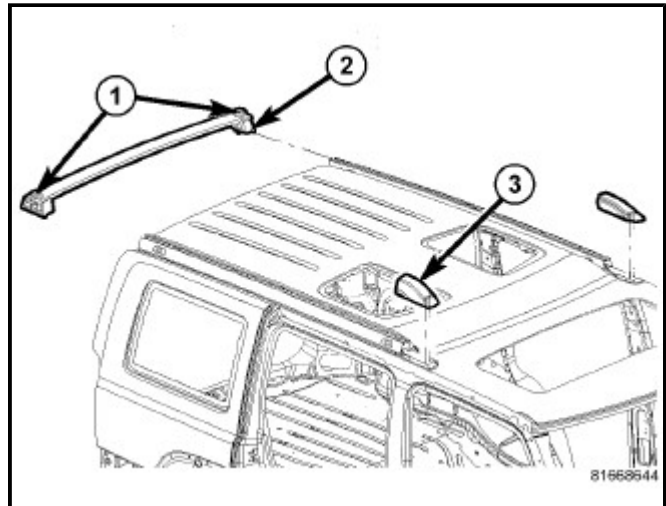


Installation - Commander luggage rack

1. Position the roof rack rail (1) onto the roof and align with the screw holes.
2. Install the five screws and tighten to 4.5 N·m (40 in. lbs.) using the following sequence to prevent misalignment of the rail.
 - a. From the front tighten the second screw.
 - b. Tighten the rear screw.
 - c. Tighten the front screw.
 - d. Tighten the third screw.
 - e. Tighten the fourth screw.



3. Position the front covers (3) and seat fully.
4. Install the cross bars (2) and tighten down the thumb nuts (1), if equipped.



5. On vehicles equipped with rear grab handles (2), position the upper cover (1) into the roof rack rail and seat fully.
6. On vehicles equipped with rear applique (4), position the applique (4) to the end of the roof rack (3).
7. Position the applique onto the D-pillar and seat the support clips fully.
8. Install the two applique push-pin fasteners.

