



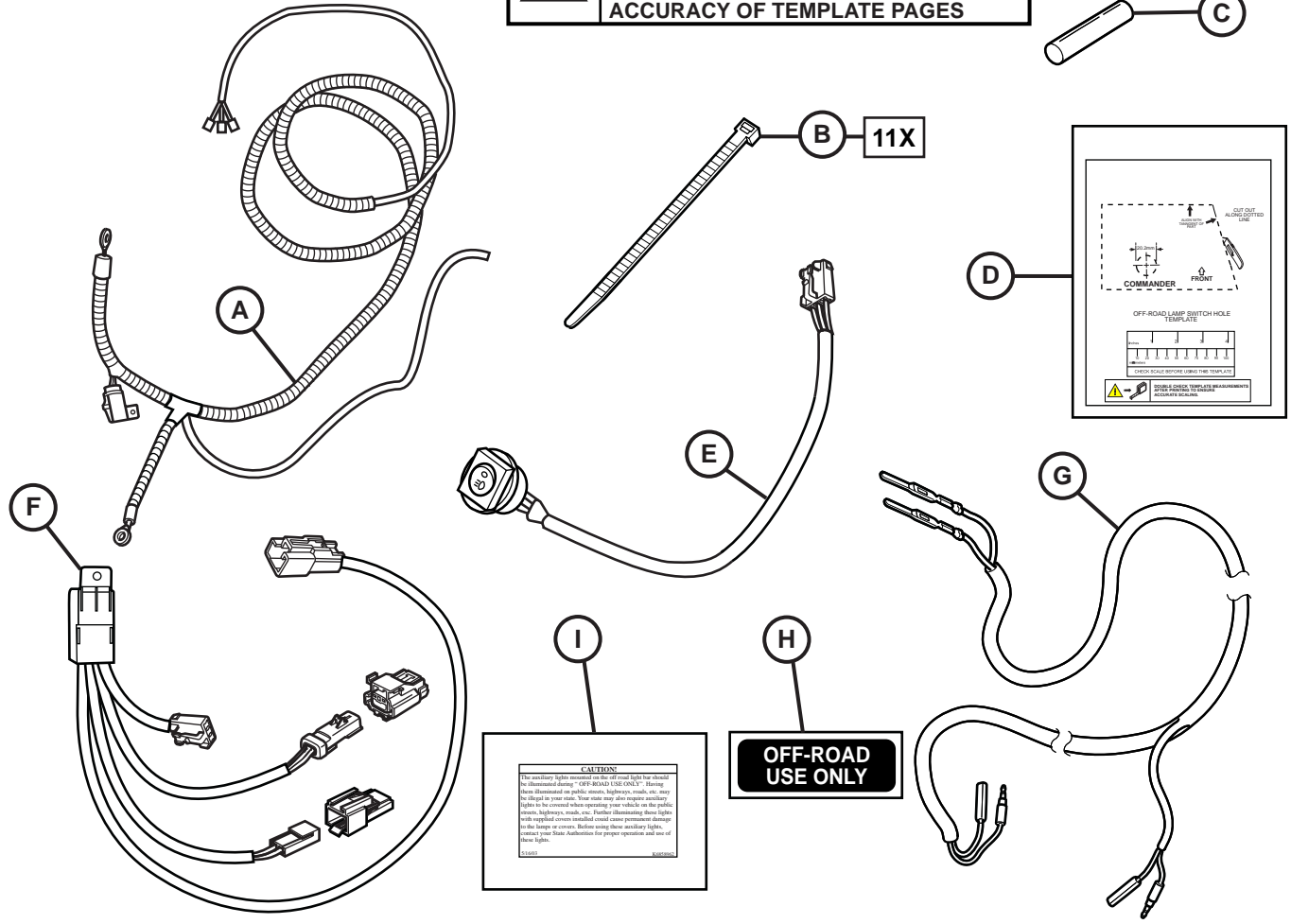
# JEEP COMMANDER

## Grill Guard Off Road Lamps (Front Mount)

**FOR OFF ROAD USE ONLY**

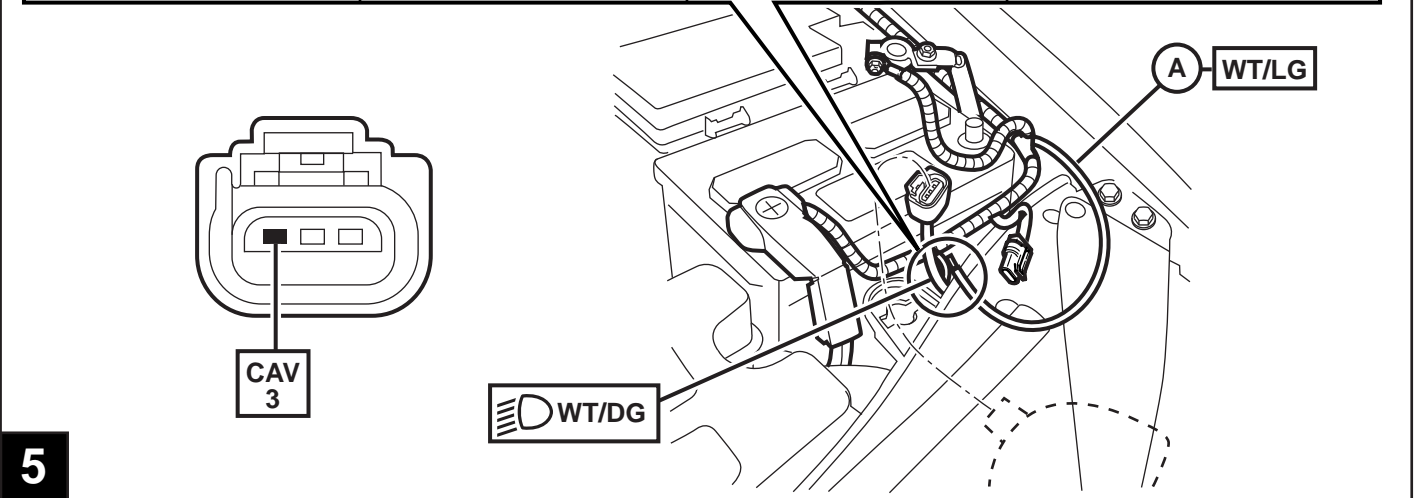
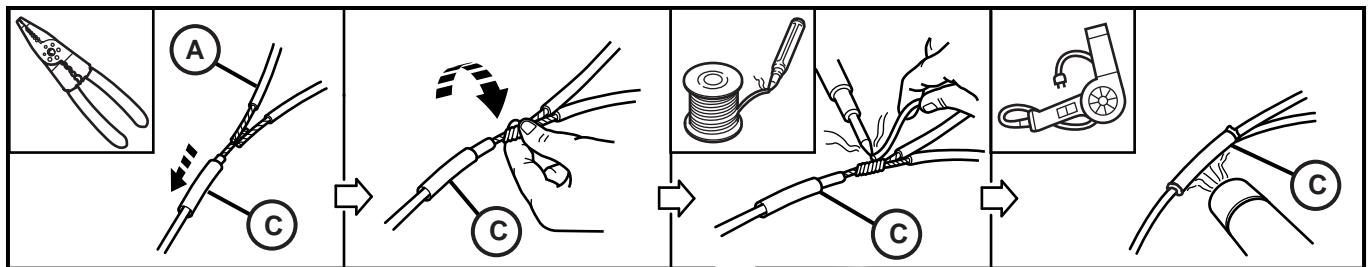
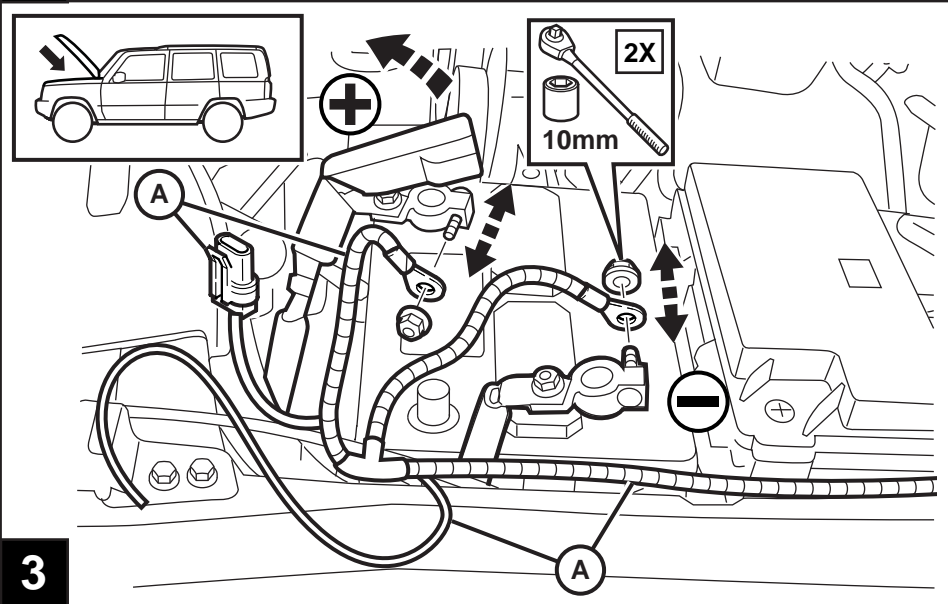
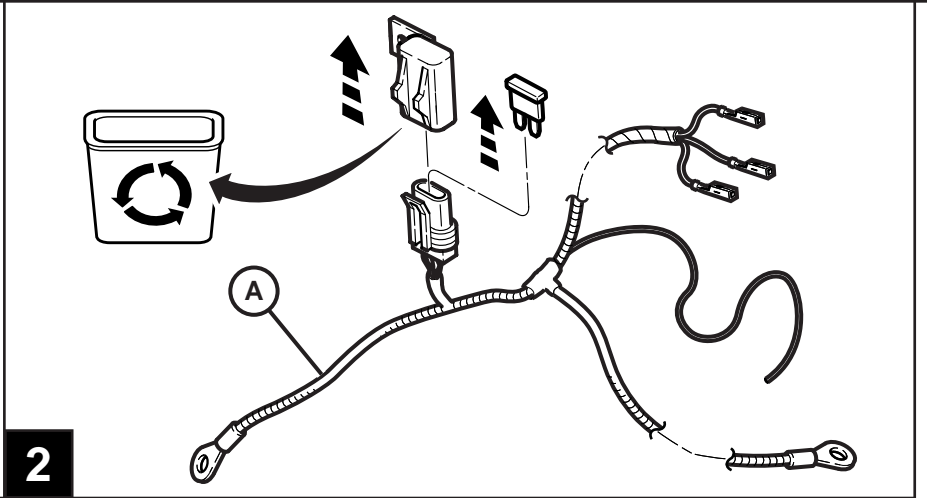
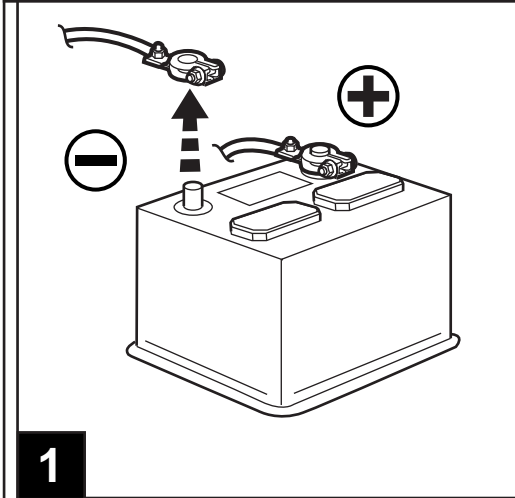


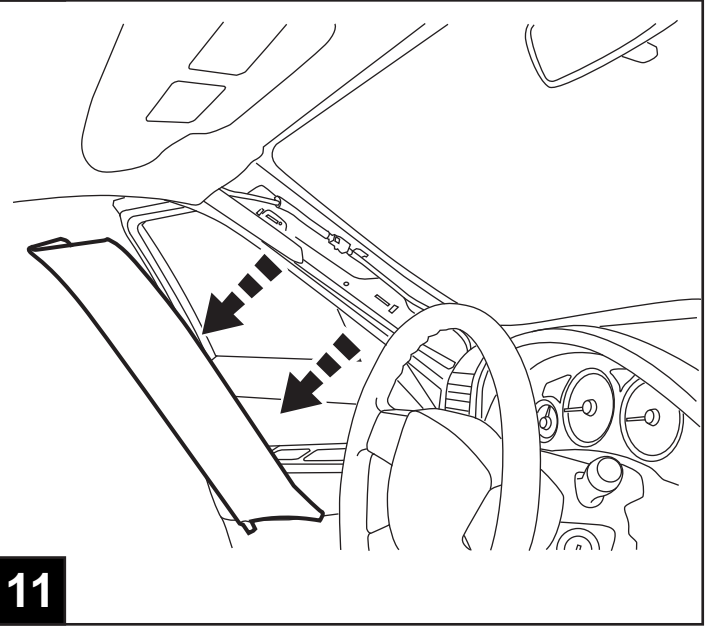
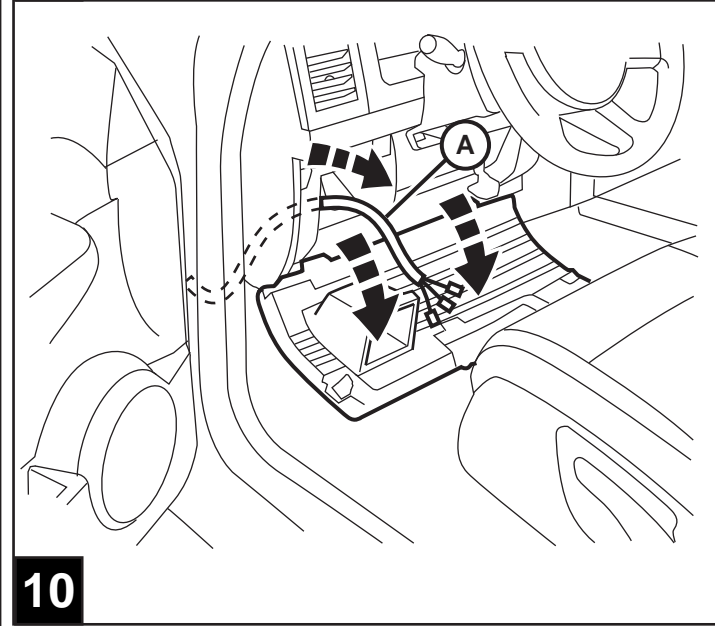
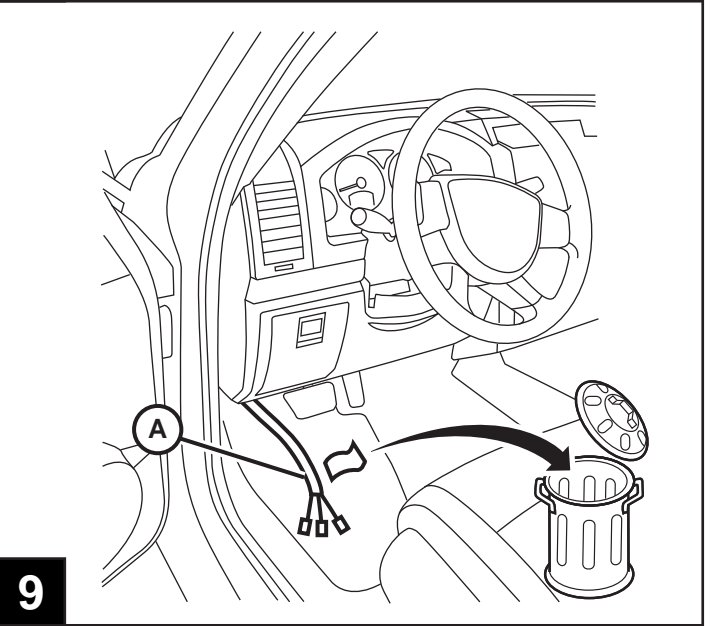
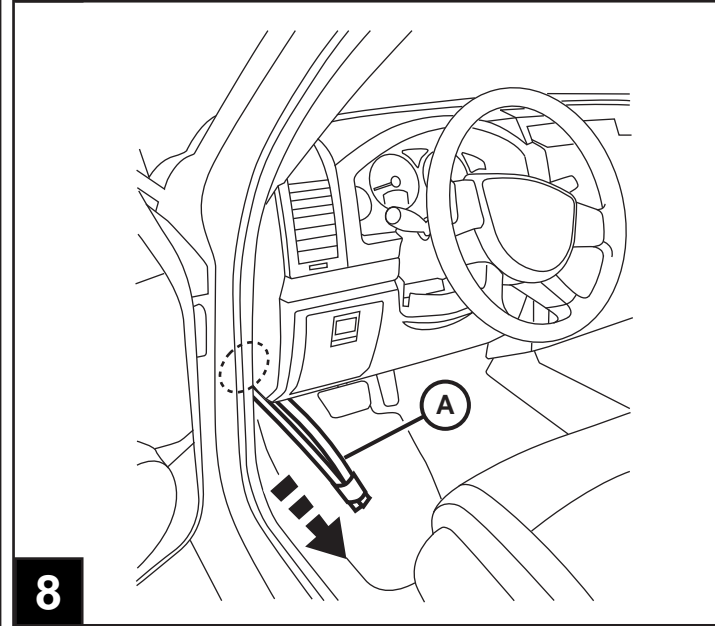
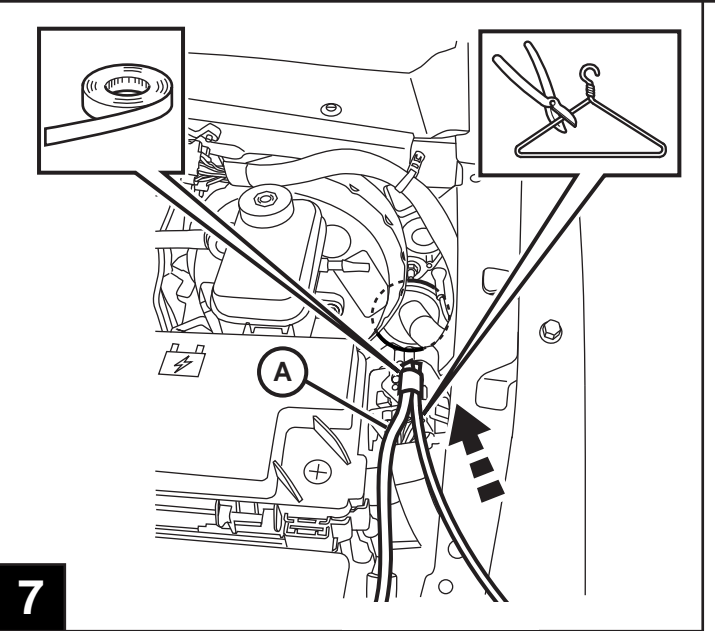
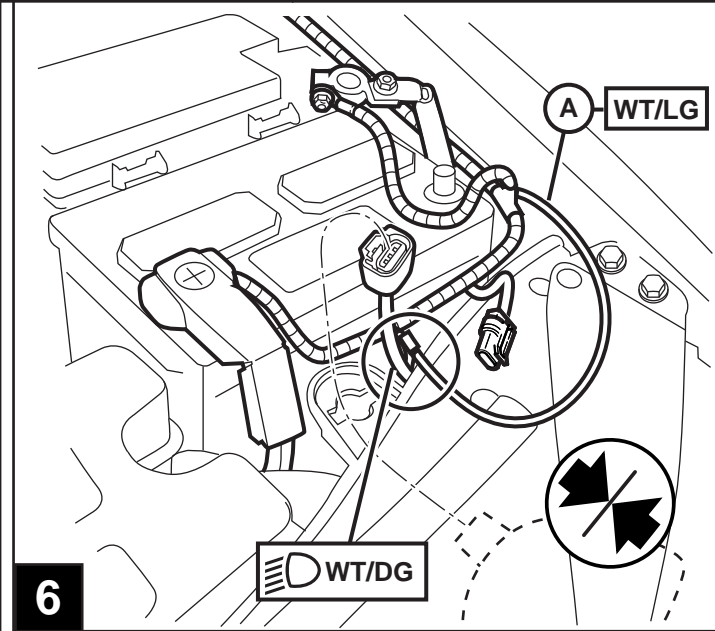
**PRINT THIS DOCUMENT AT 100% ORIGINAL SIZE. UNCHECK PRINTER AUTO SCALING FEATURES TO ENSURE ACCURACY OF TEMPLATE PAGES**

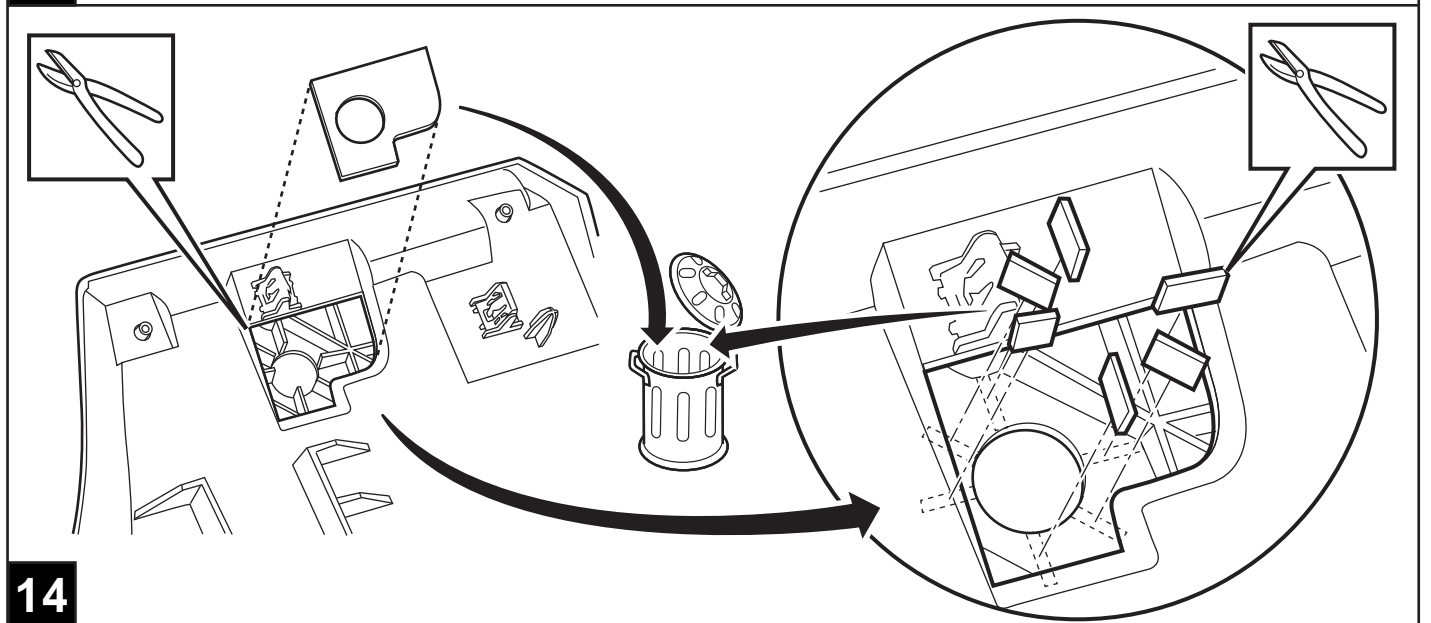
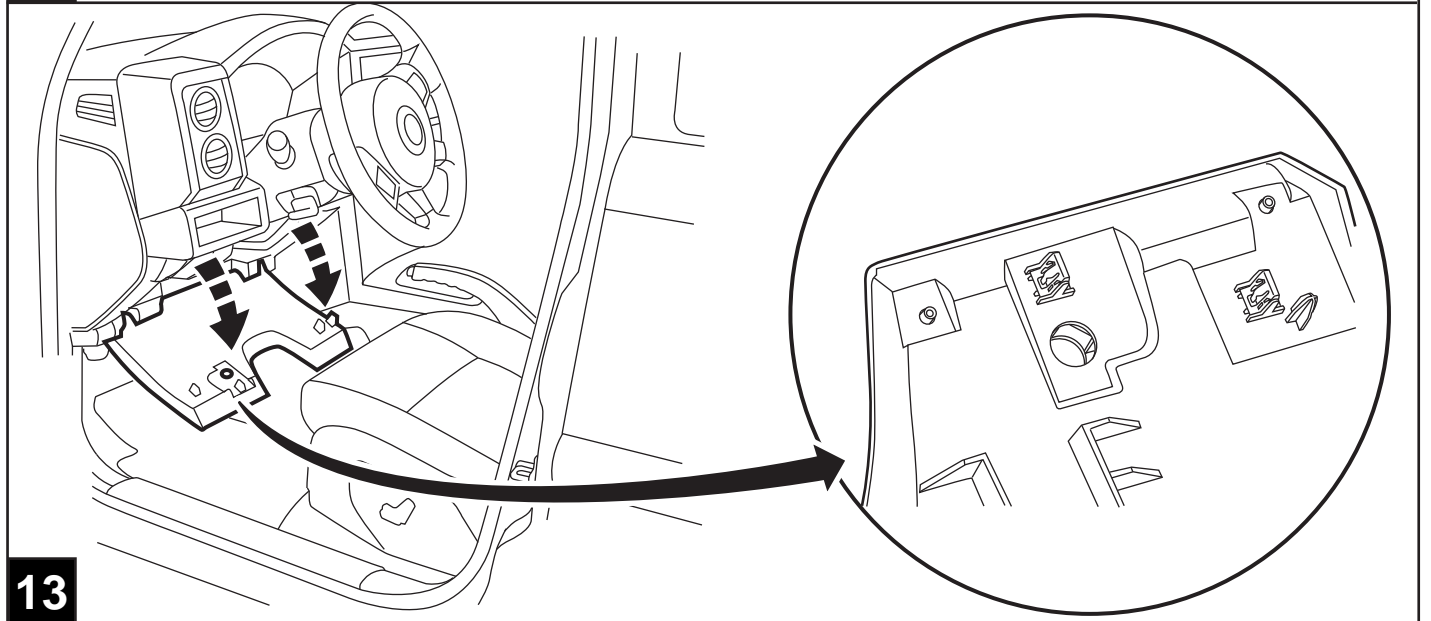
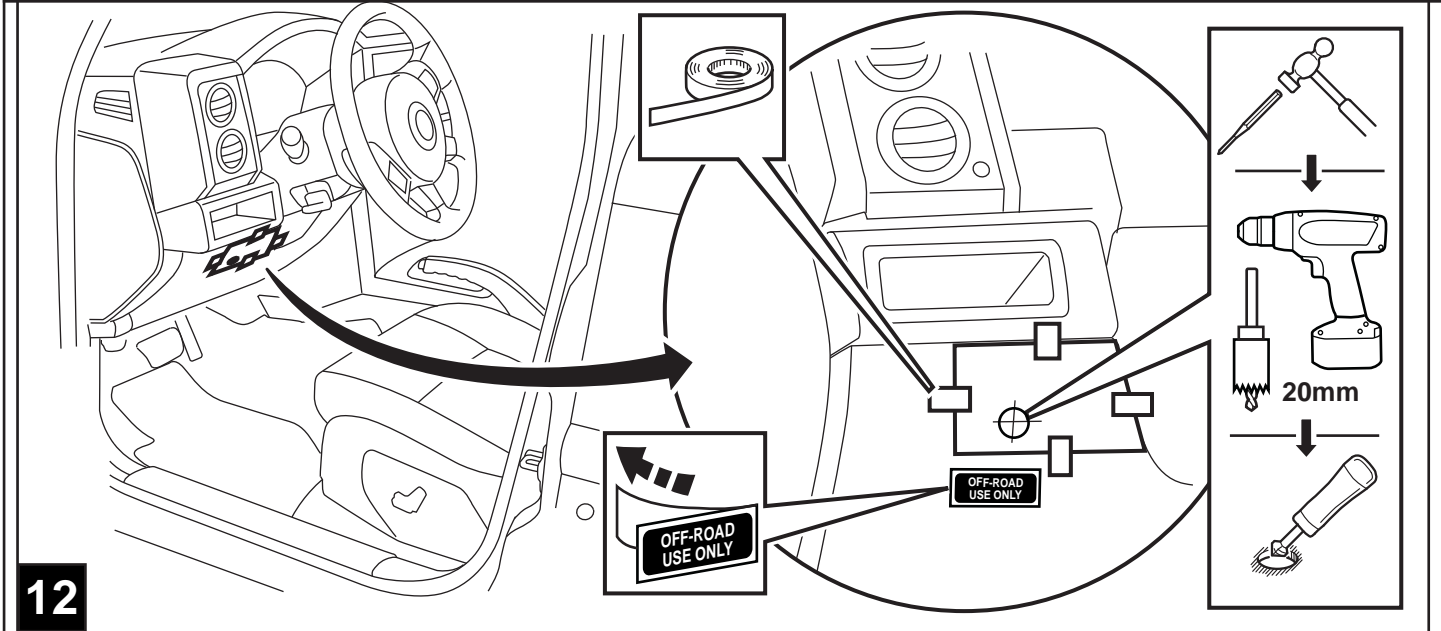


**CAUTION**  
The auxiliary lights covered in this off-road light kit should be illuminated during "OFF-ROAD USE ONLY". Having them illuminated in public areas, highways, roads, etc. may be illegal in your area. Your state may also require auxiliary lights to be covered when operating your vehicle on the public roads. Improper use, i.e. illuminating these lights with supplied covers installed could cause permanent damage to the lamps or covers. Before using these auxiliary lights, contact your State Authority for proper operation and use of these lights.  
134622 K8680552

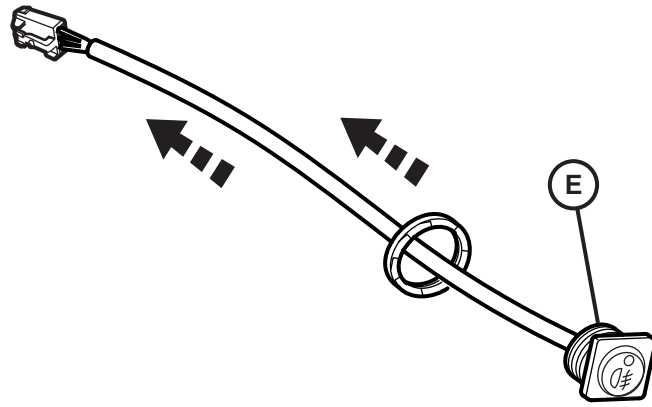
**OFF-ROAD USE ONLY**

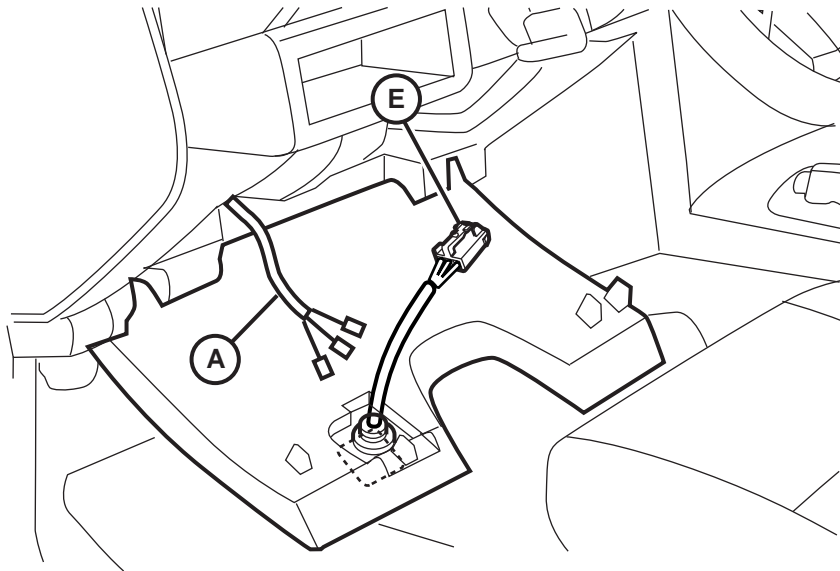




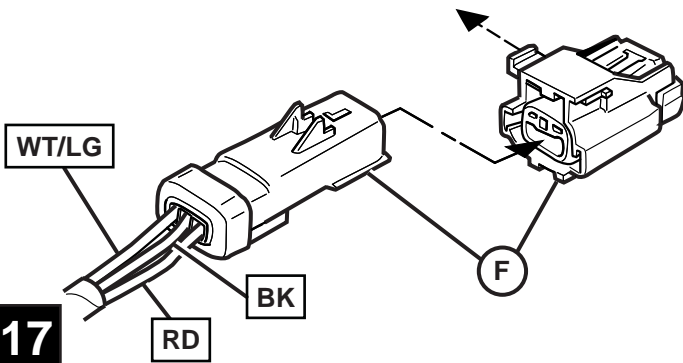
15



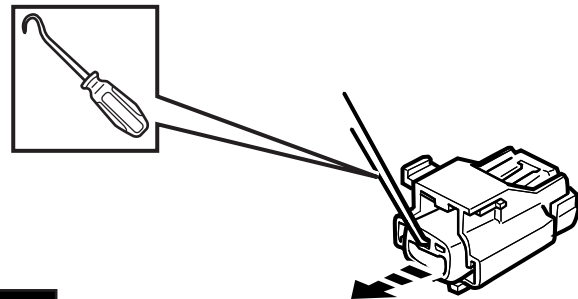
16



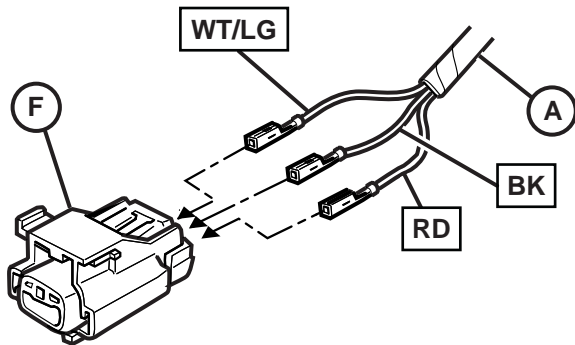
17



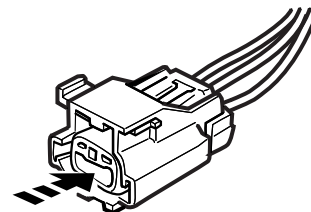
18

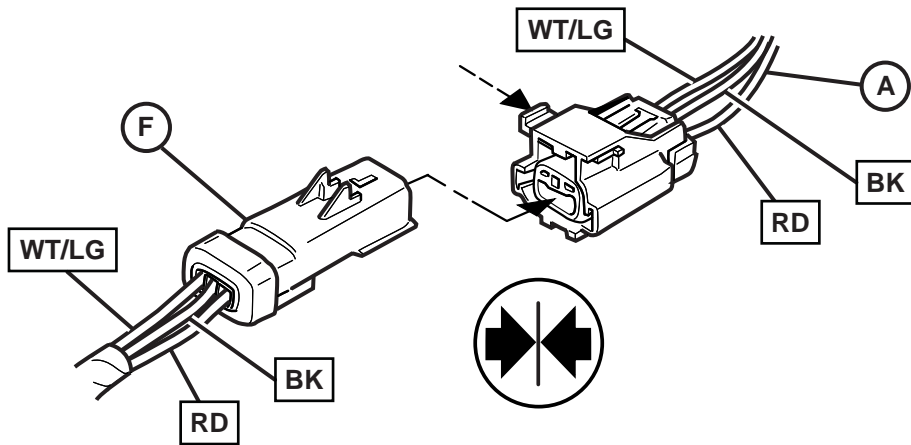


19

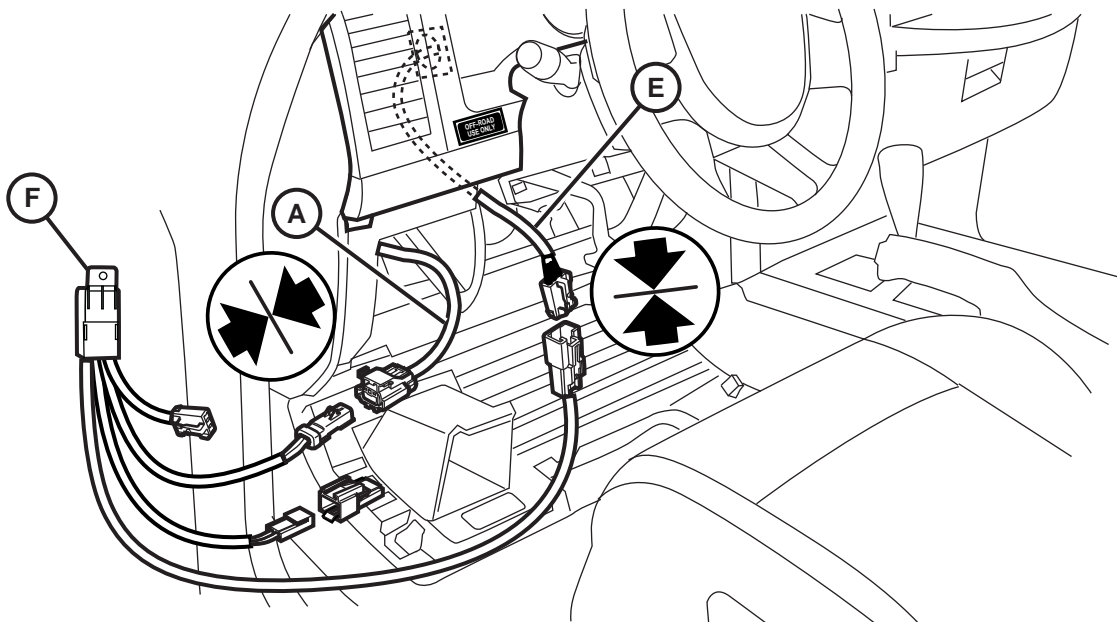


20

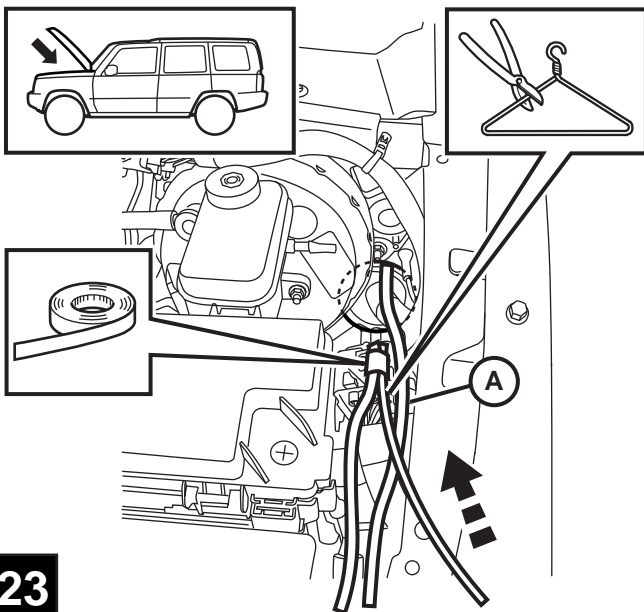




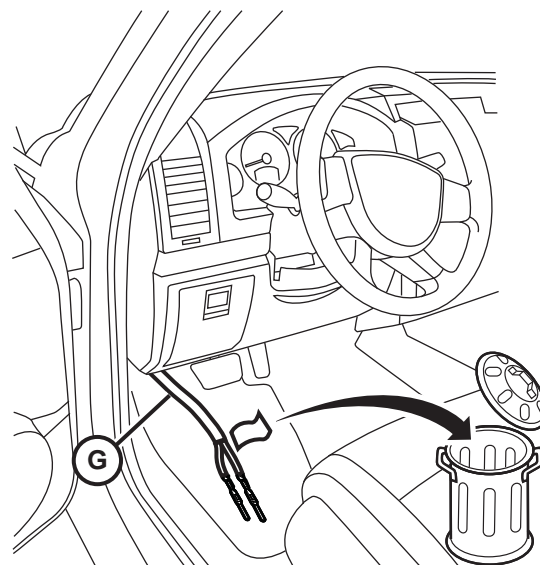
21



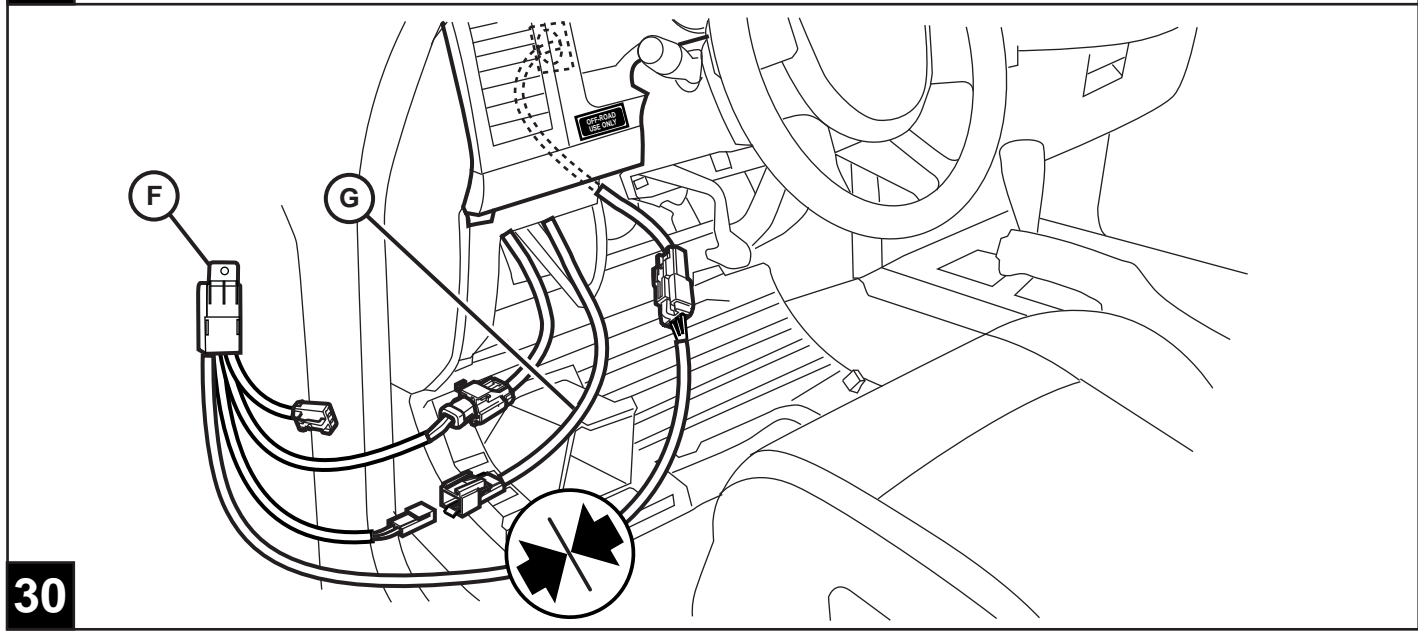
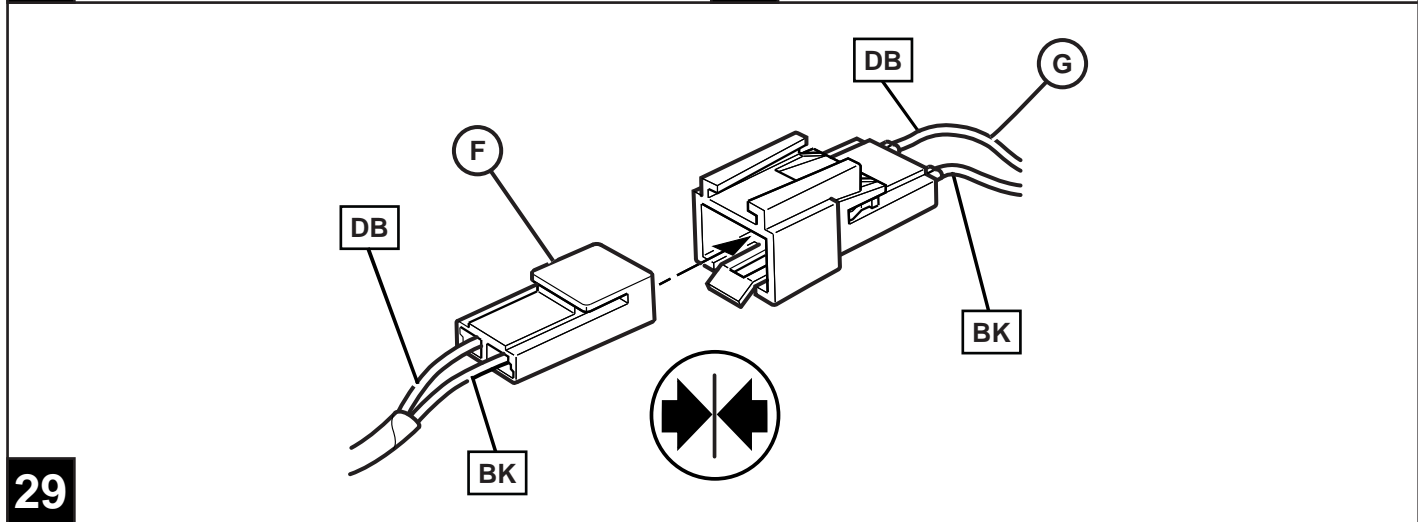
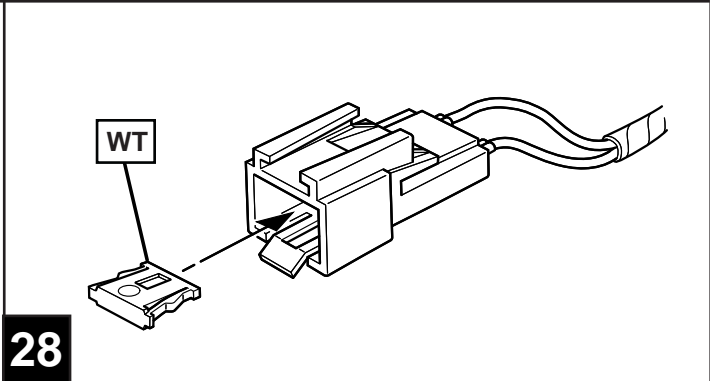
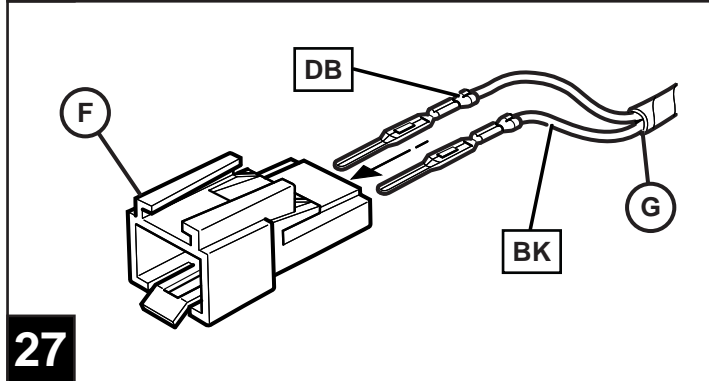
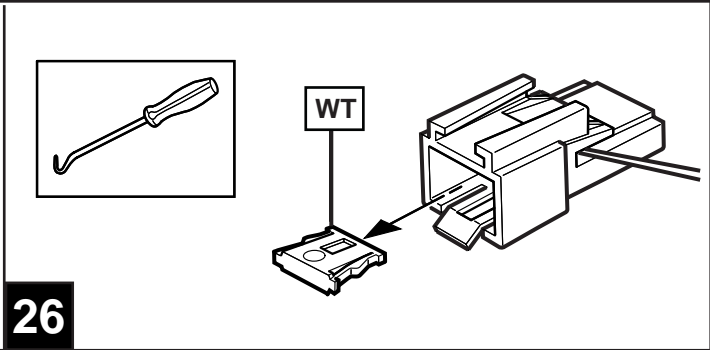
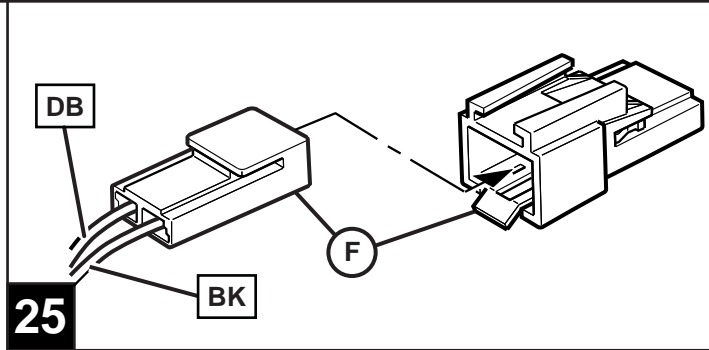
22

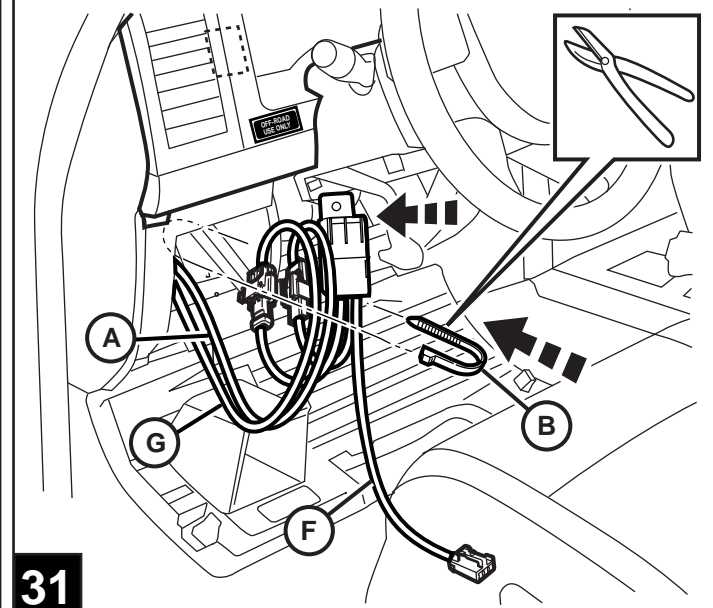


23

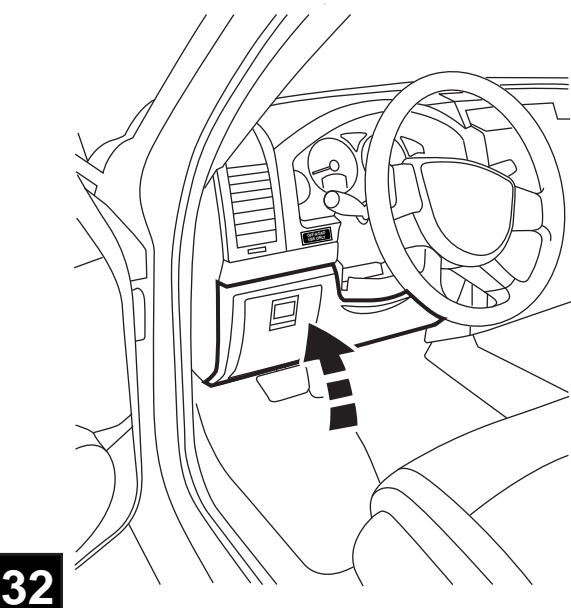


24

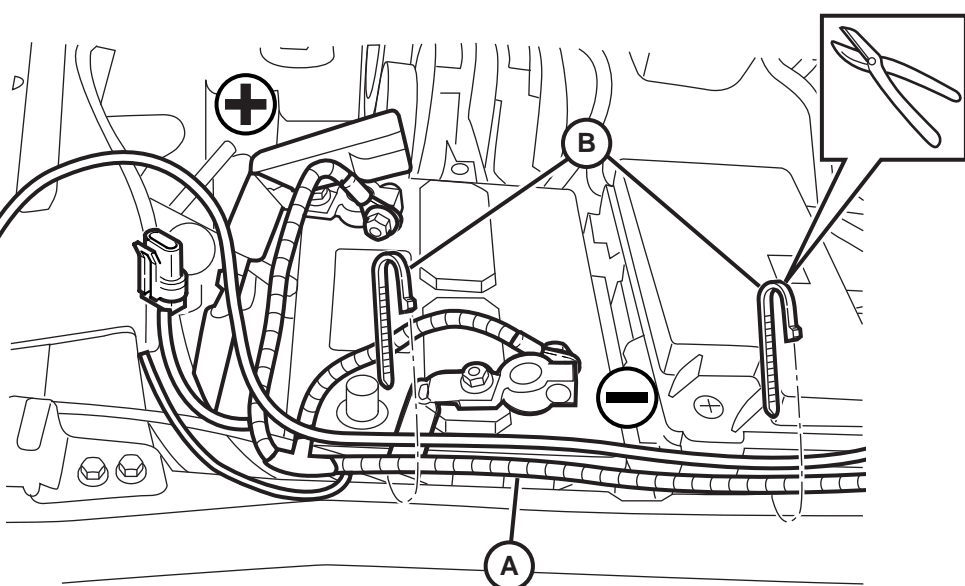
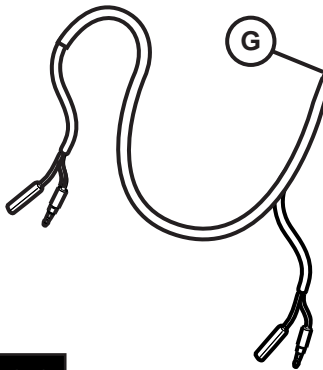
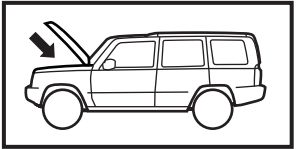




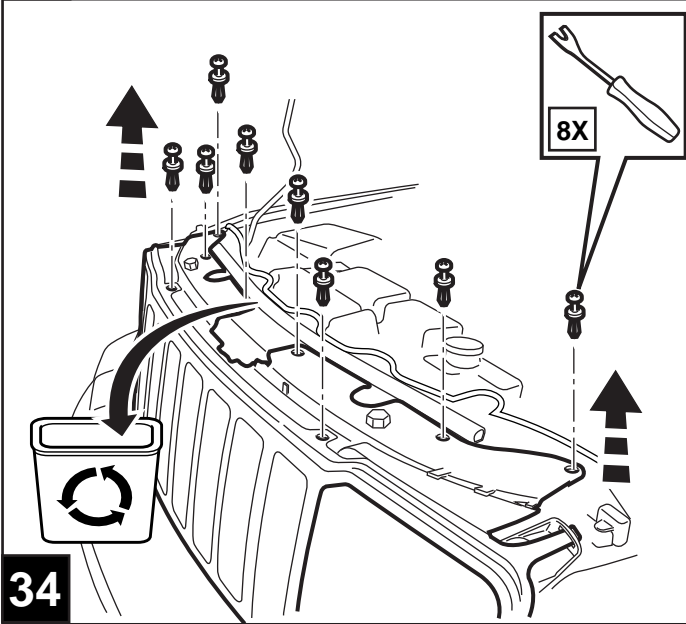
31



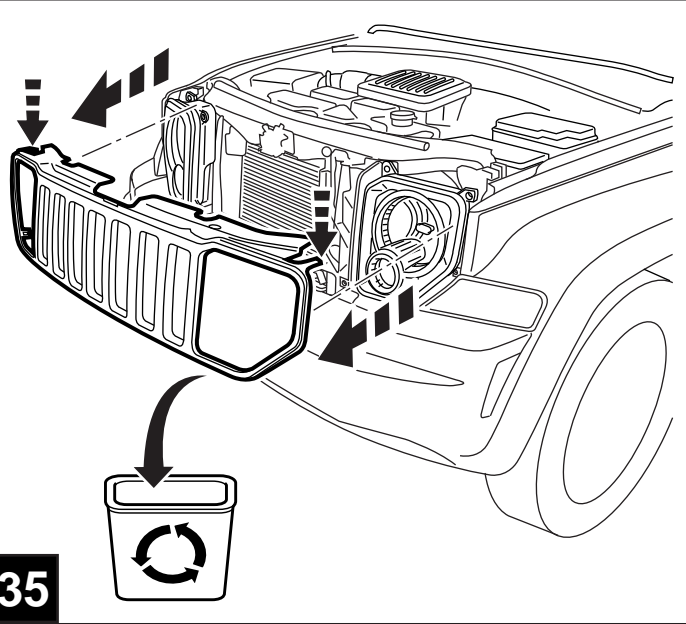
32



33

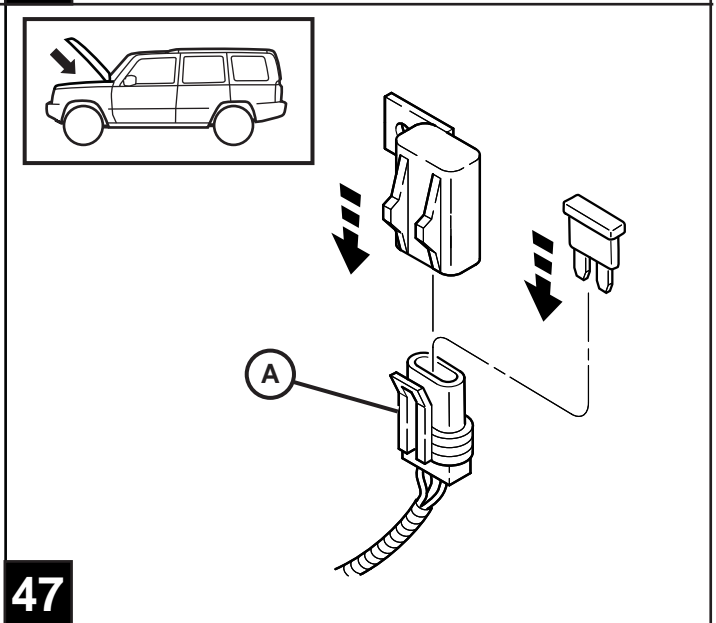
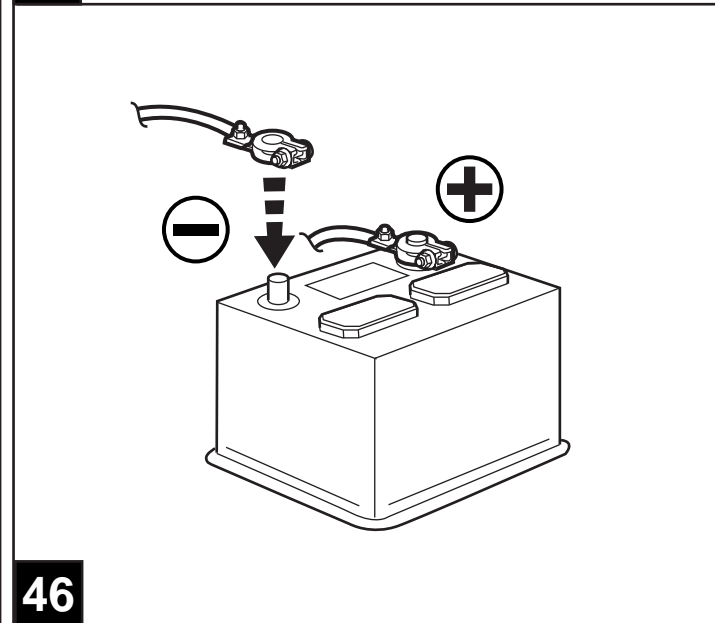
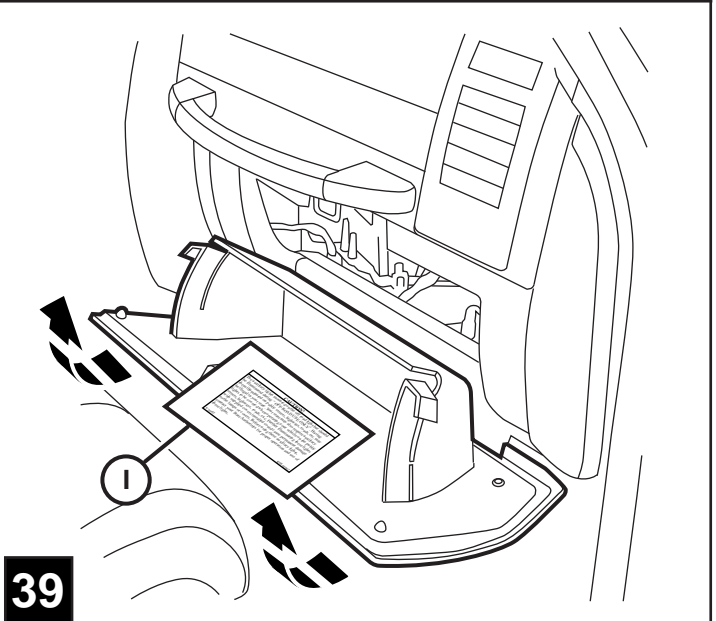
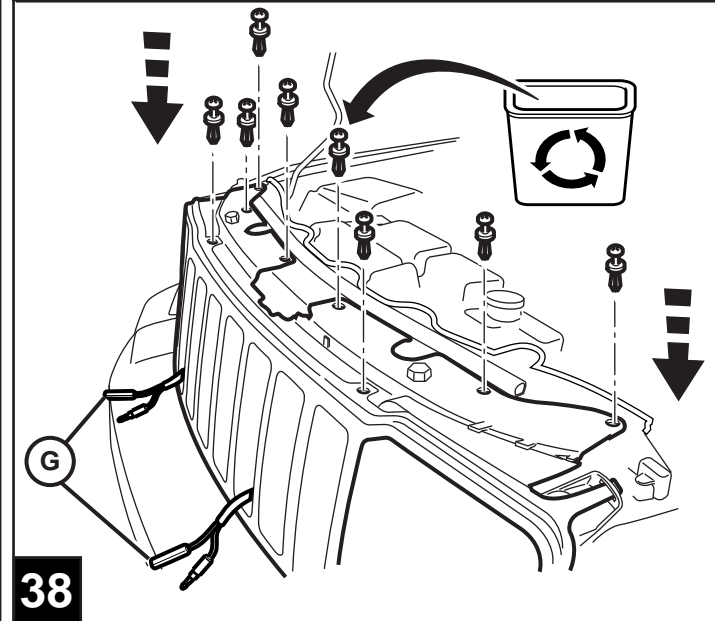
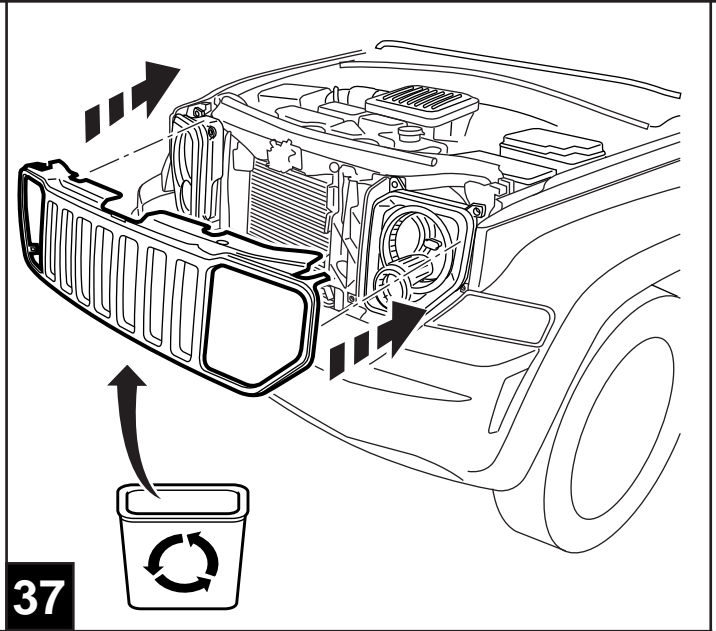
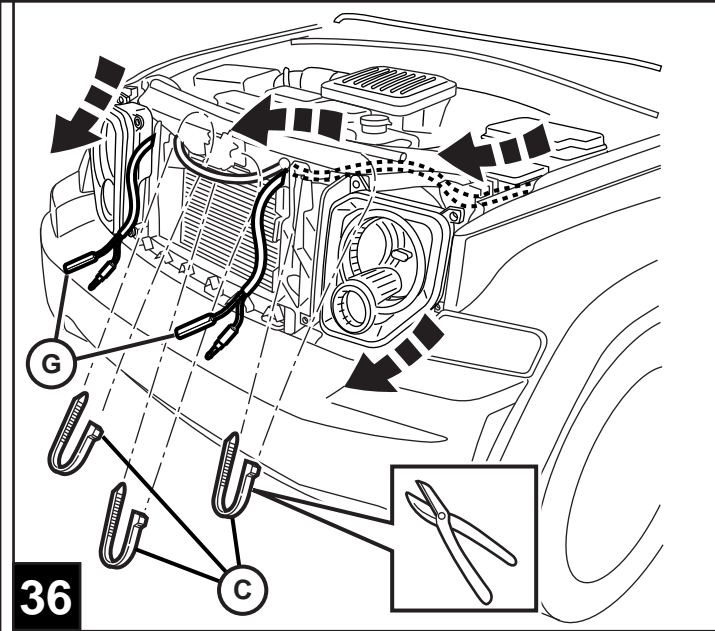


34

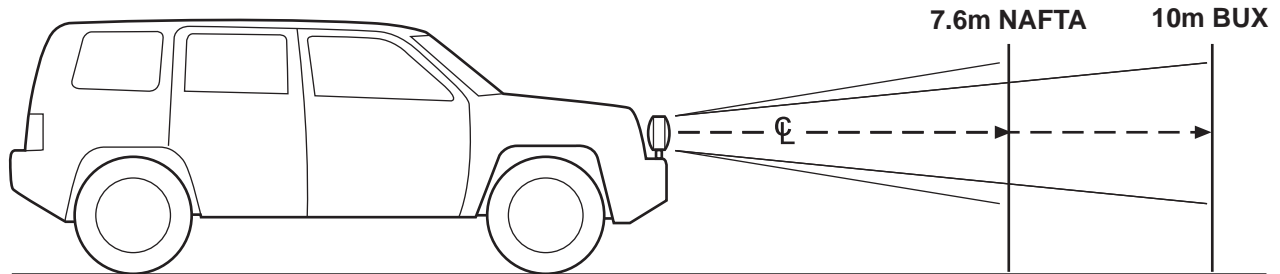


35





## OFF-ROAD LAMP ALIGNMENT

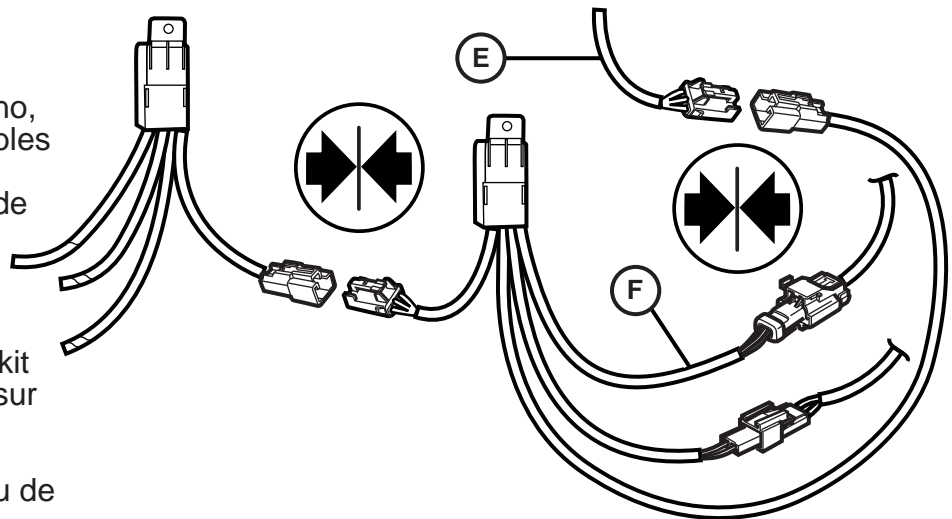


48

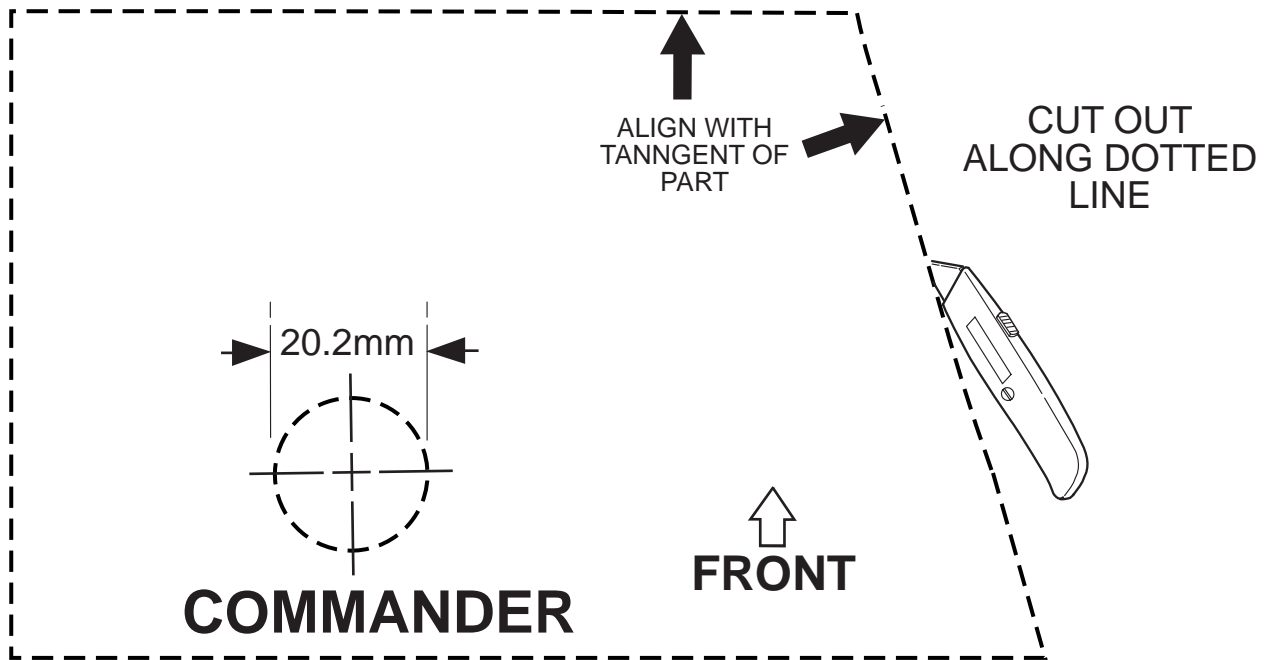
NOTE: When equipping vehicle with second off-road light kit, connect harnesses as shown. Tie strap to existing light kit harness.

NOTA: Cuando equipe el vehiculo con un segundo juego de luces todo terreno, conecto los mazos de cables como se indica. Ajuste la correa al mazo de juego de luces existente.

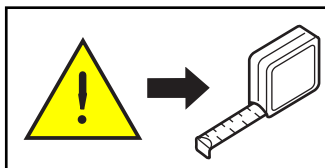
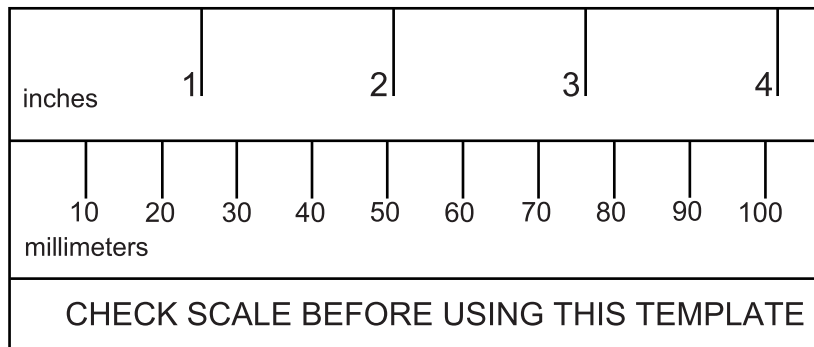
REMARQUE: lors de l'installation d'un second kit d'éclairage tous terrains sur le véhicule, connecter le faisceau comme illustré. L'assujettir sur le faisceau de kit d'éclairage existant.



49



## OFF-ROAD LAMP SWITCH HOLE TEMPLATE



**DOUBLE CHECK TEMPLATE MEASUREMENTS AFTER PRINTING TO ENSURE ACCURATE SCALING.**