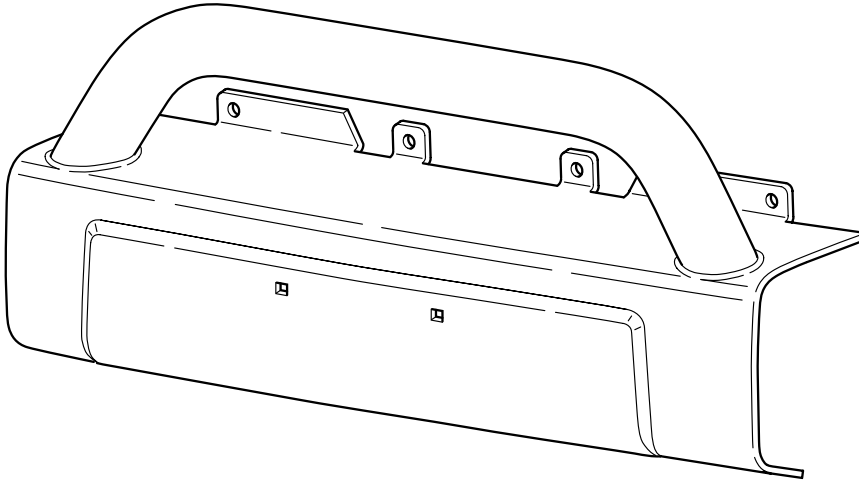


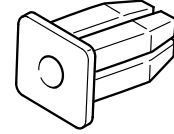


# JEEP COMMANDER

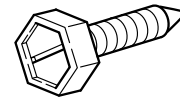
## Grille Guard



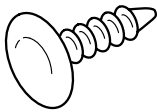
**A** Grille guard is designed to accomodate two auxillary lamps.



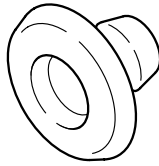
**B** 2x FOR VEHICLES WITH FRT LICENSE PLATE



**C** 2x FOR VEHICLES WITH FRT LICENSE PLATE



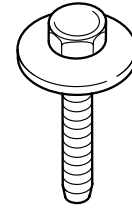
**D** 2x FOR VEHICLES W/O FRT LICENSE PLATE



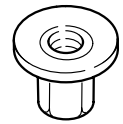
**E** 2x



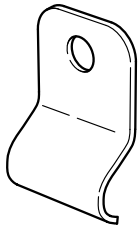
**F**



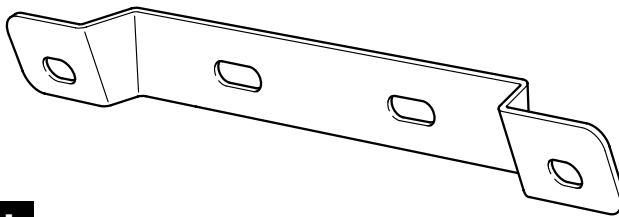
**G** 6x



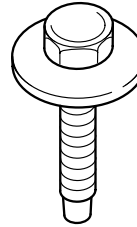
**H** 6x



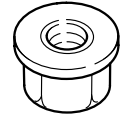
**I** 2x



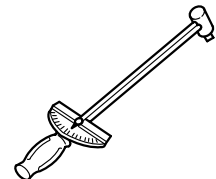
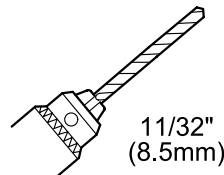
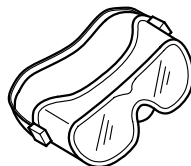
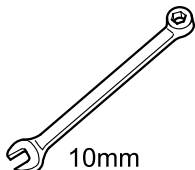
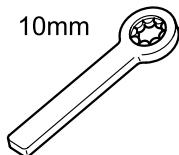
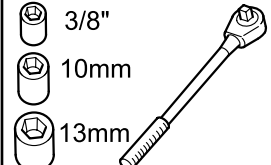
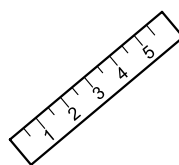
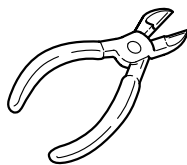
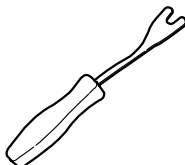
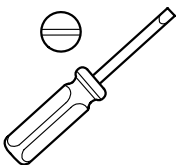
**J**

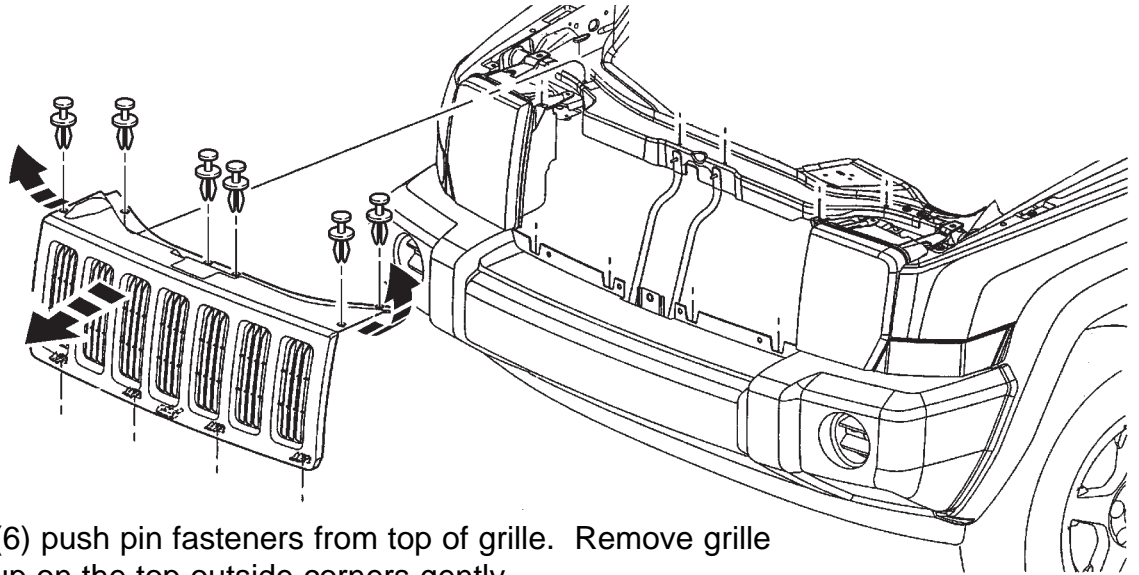


**K** 5x

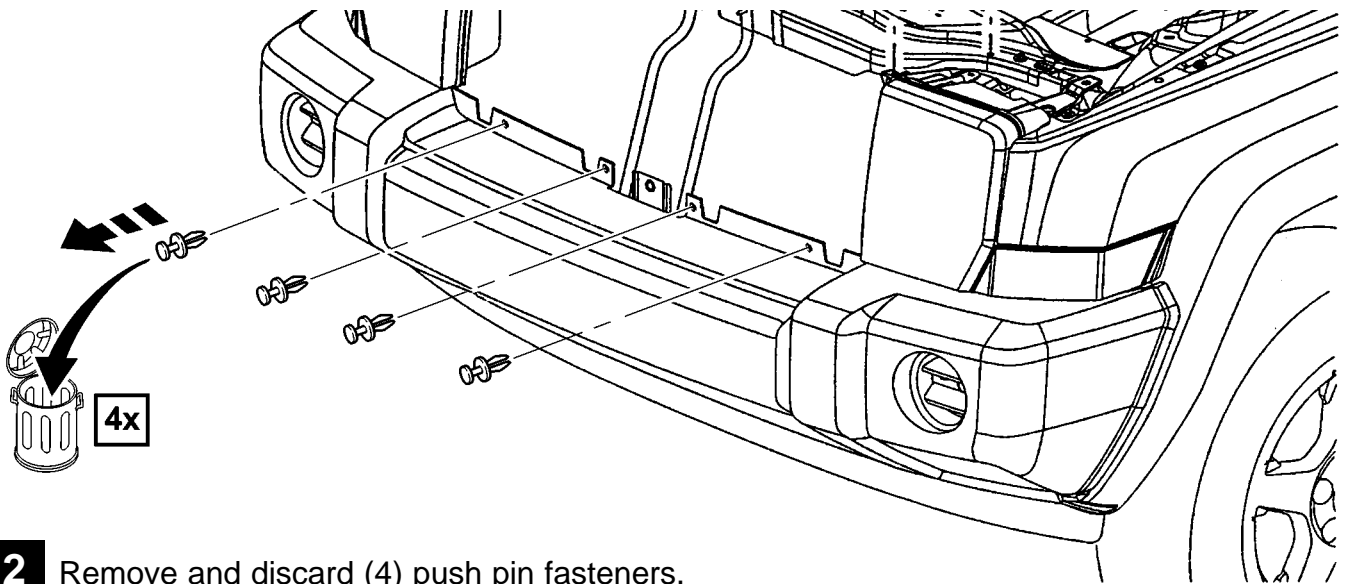


**L** 5x



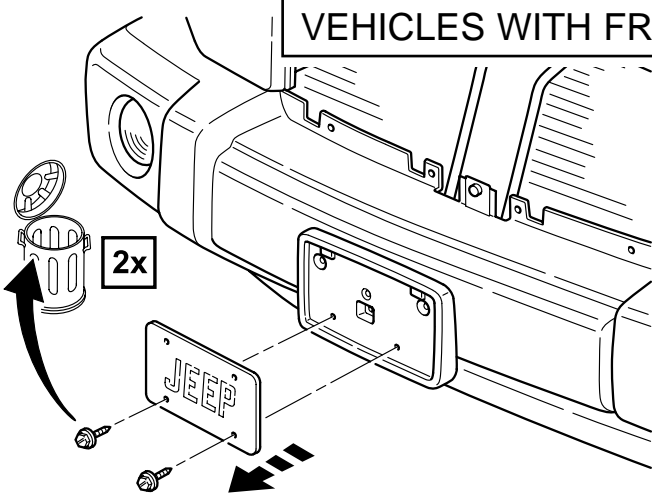


**1** Remove (6) push pin fasteners from top of grille. Remove grille by lifting up on the top outside corners gently.

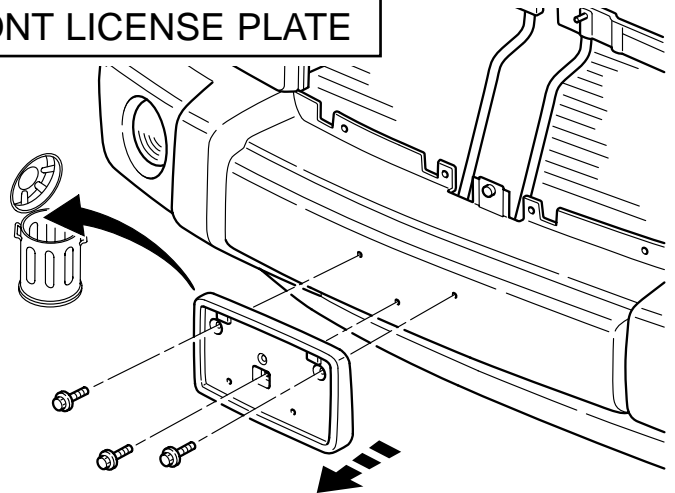


**2** Remove and discard (4) push pin fasteners.

**VEHICLES WITH FRONT LICENSE PLATE**

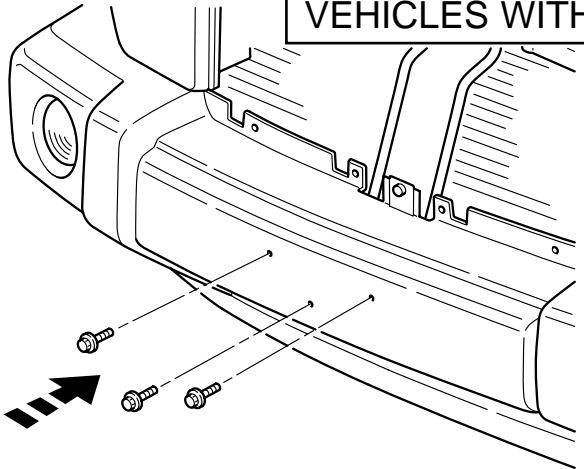


**3** Remove and discard (2) license plate mounting screws.

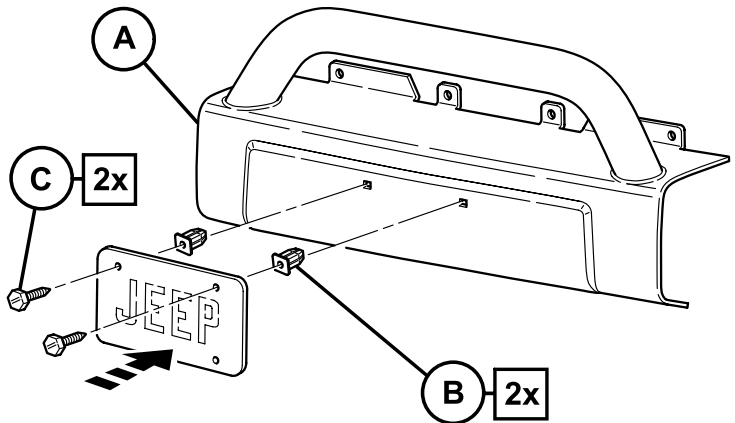


**4** Remove (3) license plate bracket mounting screws. Discard bracket.

VEHICLES WITH FRONT LICENSE PLATE

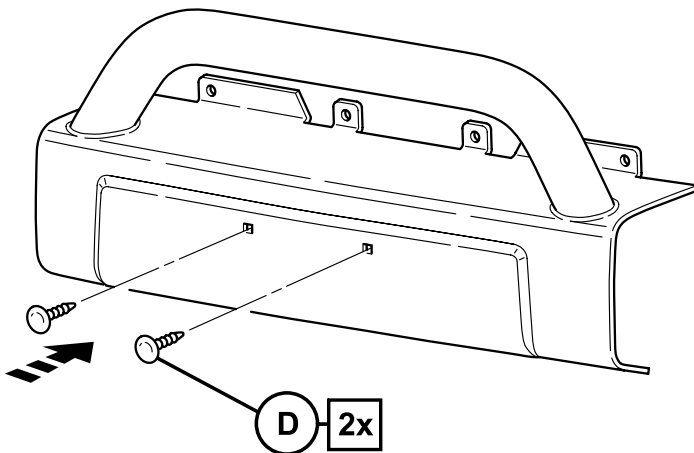


**5** Install (3) bracket mounting screws to fascia.

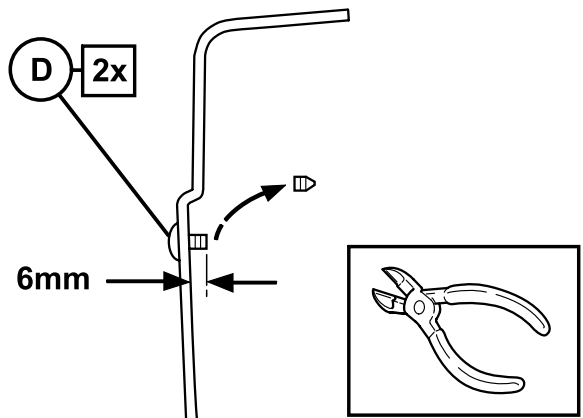


Install license plate to grille guard.

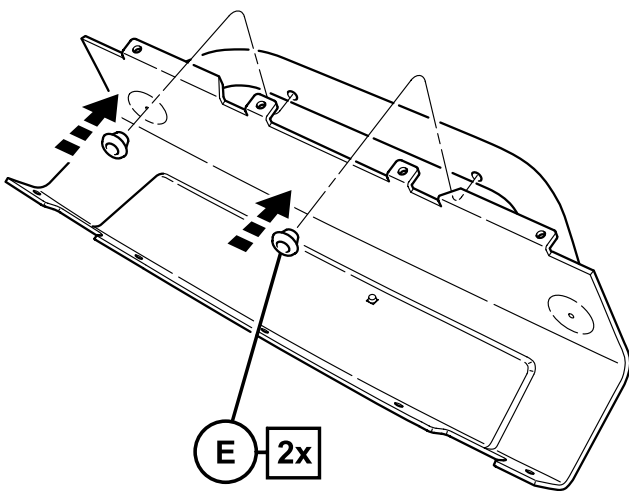
VEHICLES WITHOUT FRONT LICENSE PLATE



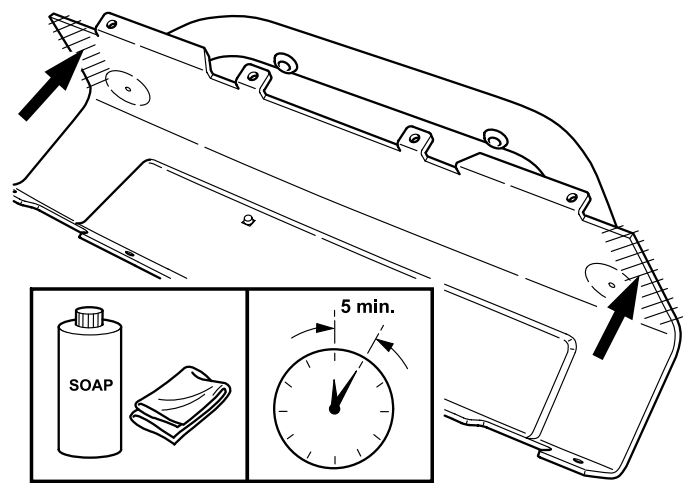
**5A** Install (2) plugs to grille guard.



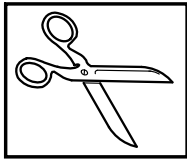
Trim the plugs so that they protrude no more than 6mm.



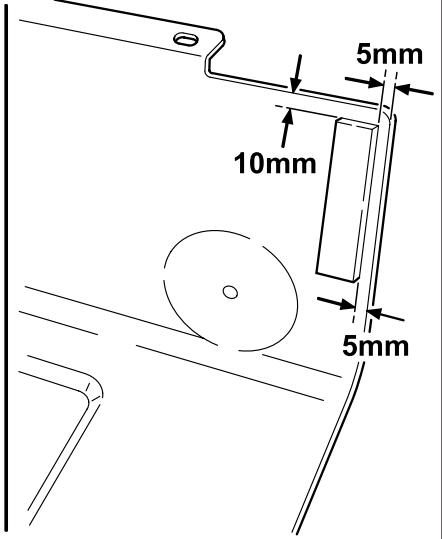
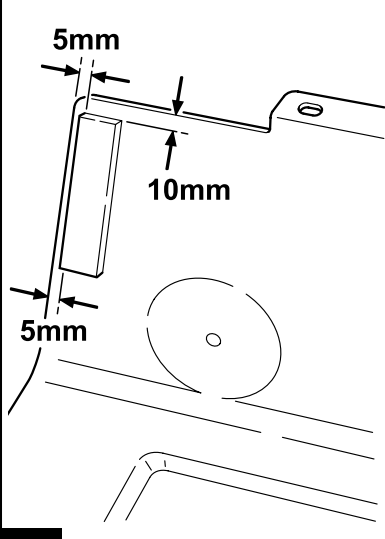
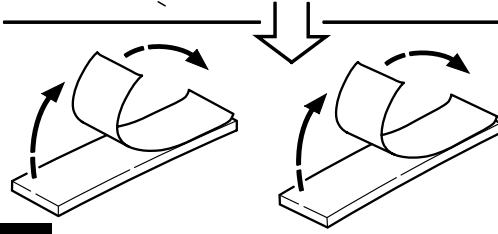
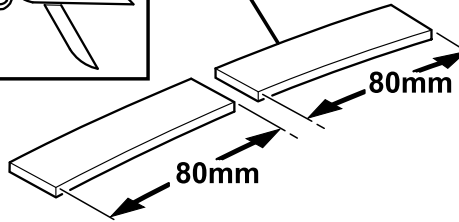
**6** Install (2) plugs to guard bar.



**7** Clean inside of guard. Wait 5 minutes.

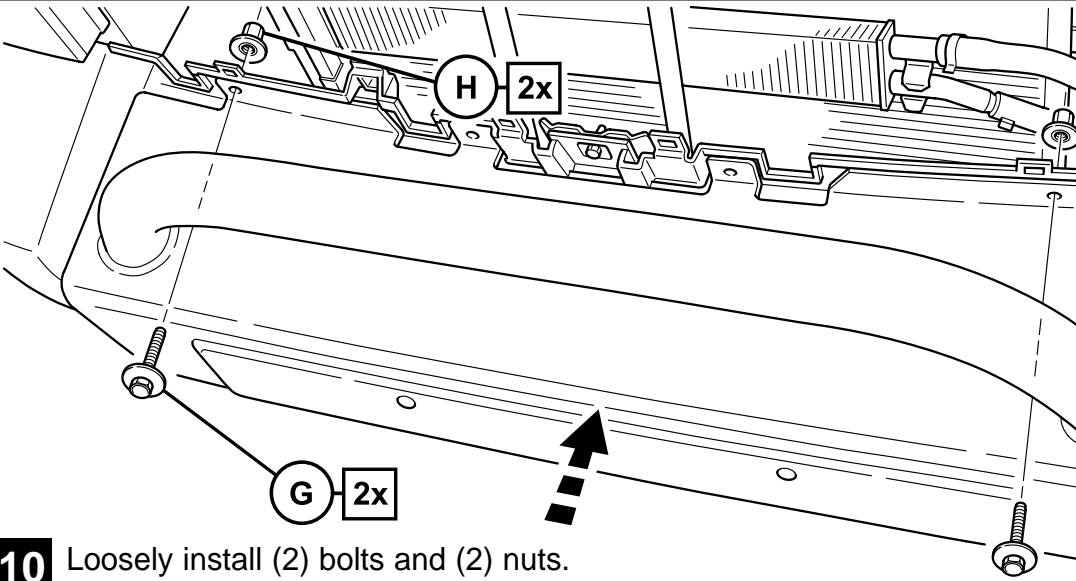


F

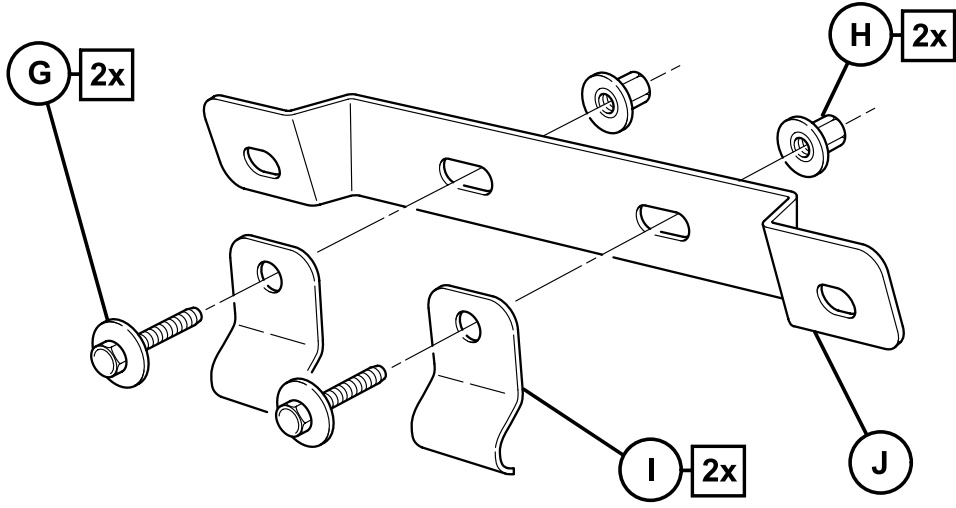


**8** Trim tape pad. Remove backing.

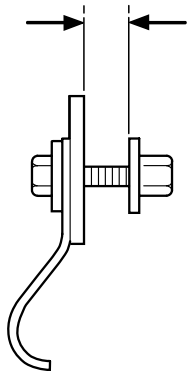
**9** Place tape pads on inside of guard.



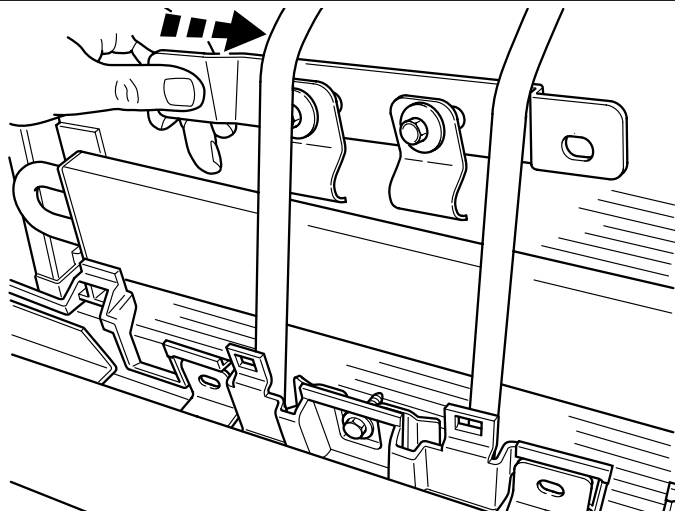
**10** Loosely install (2) bolts and (2) nuts.



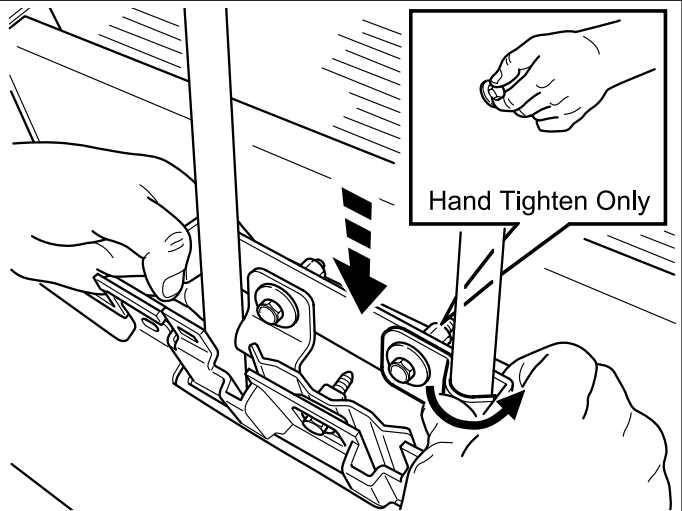
**MAINTAIN THIS DISTANCE**



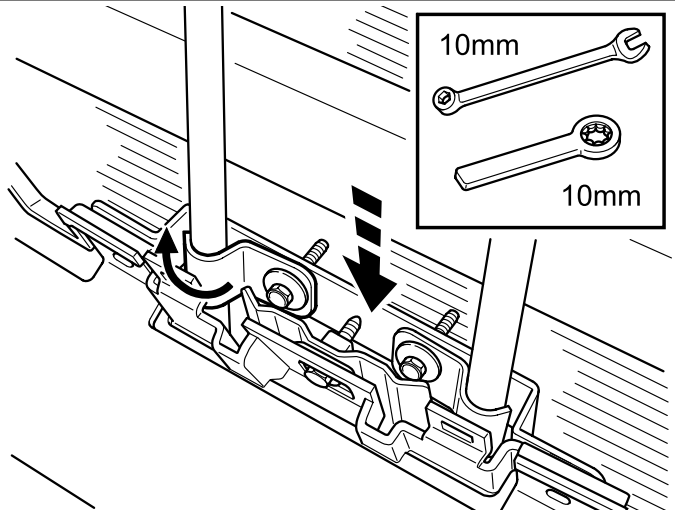
**11** Loosley sub-assemble the center mounting bracket (Item J).



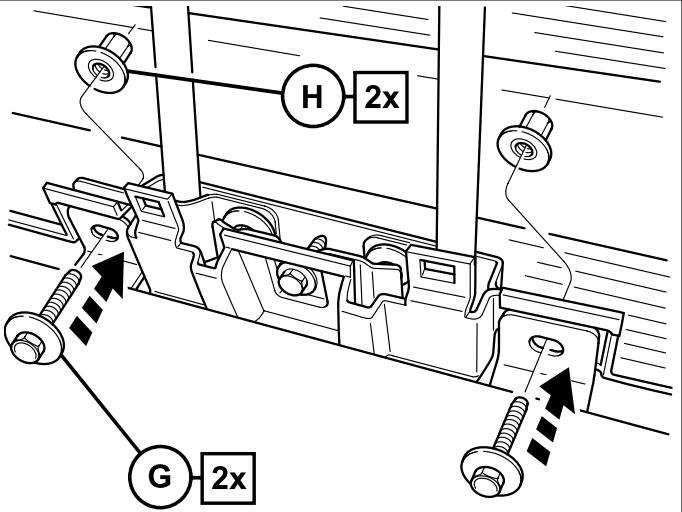
**12** Slide the center mounting bracket assembly behind radiator support bars.



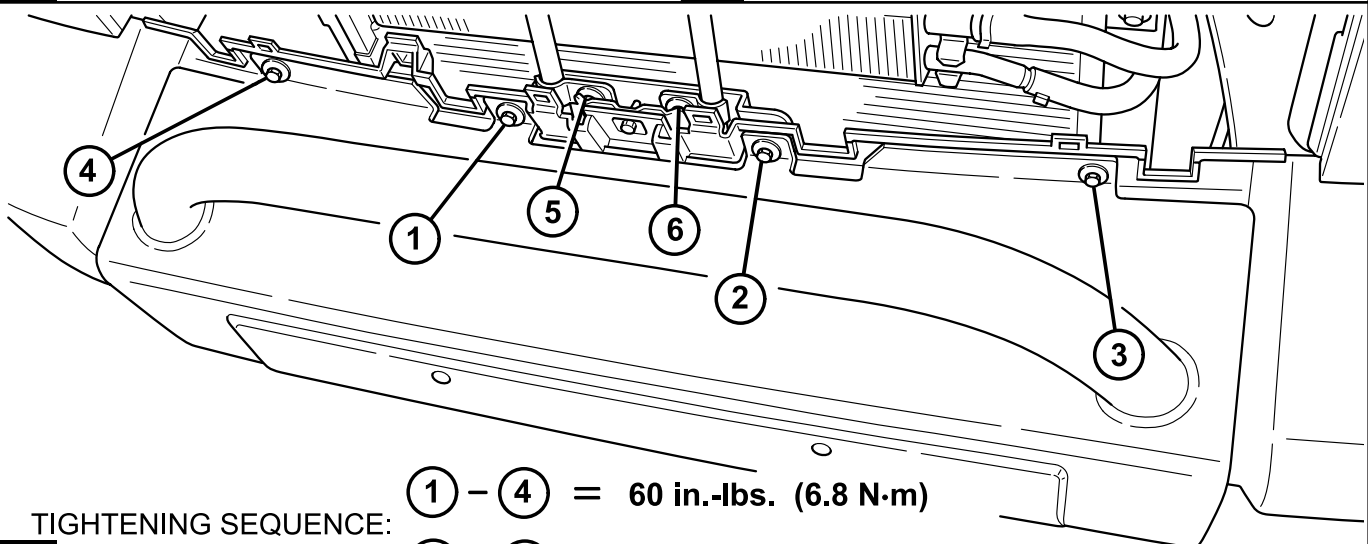
**13** Slide the assembly down and loosely position clip to left support bar.



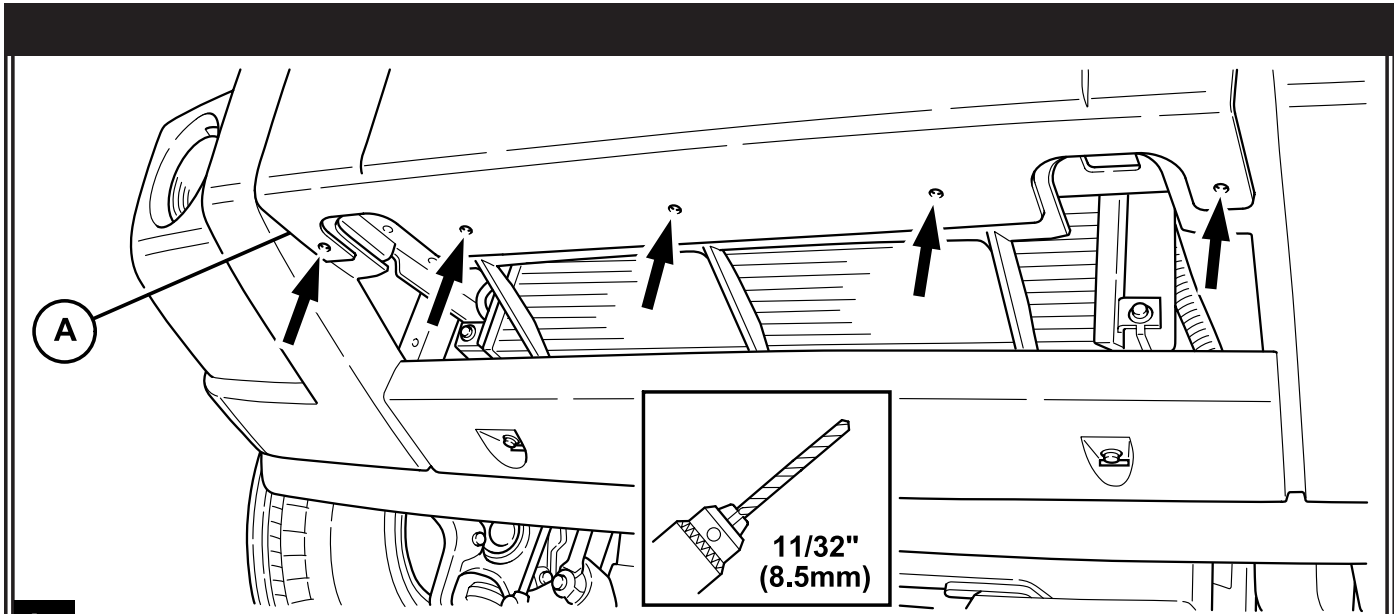
**14** Slide the assembly into mounting position. Position clip to right support bar.



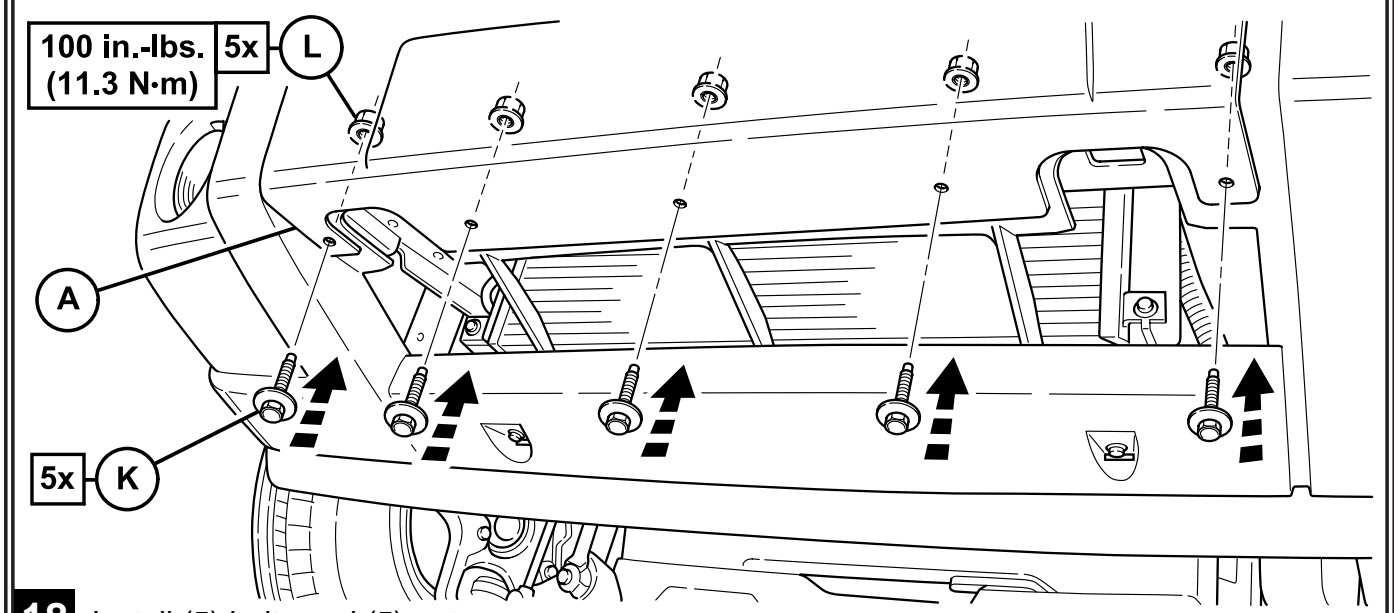
**15** Install (2) bolts and (2) nuts to center mounting bracket.



**16** TIGHTENING SEQUENCE:  
 ① - ④ = 60 in.-lbs. (6.8 N·m)  
 ⑤ - ⑥ = 100 in.-lbs. (11.3 N·m)



**17** Using the grille guard as a template, drill (5) mounting holes in fascia.



**18** Install (5) bolts and (5) nuts.