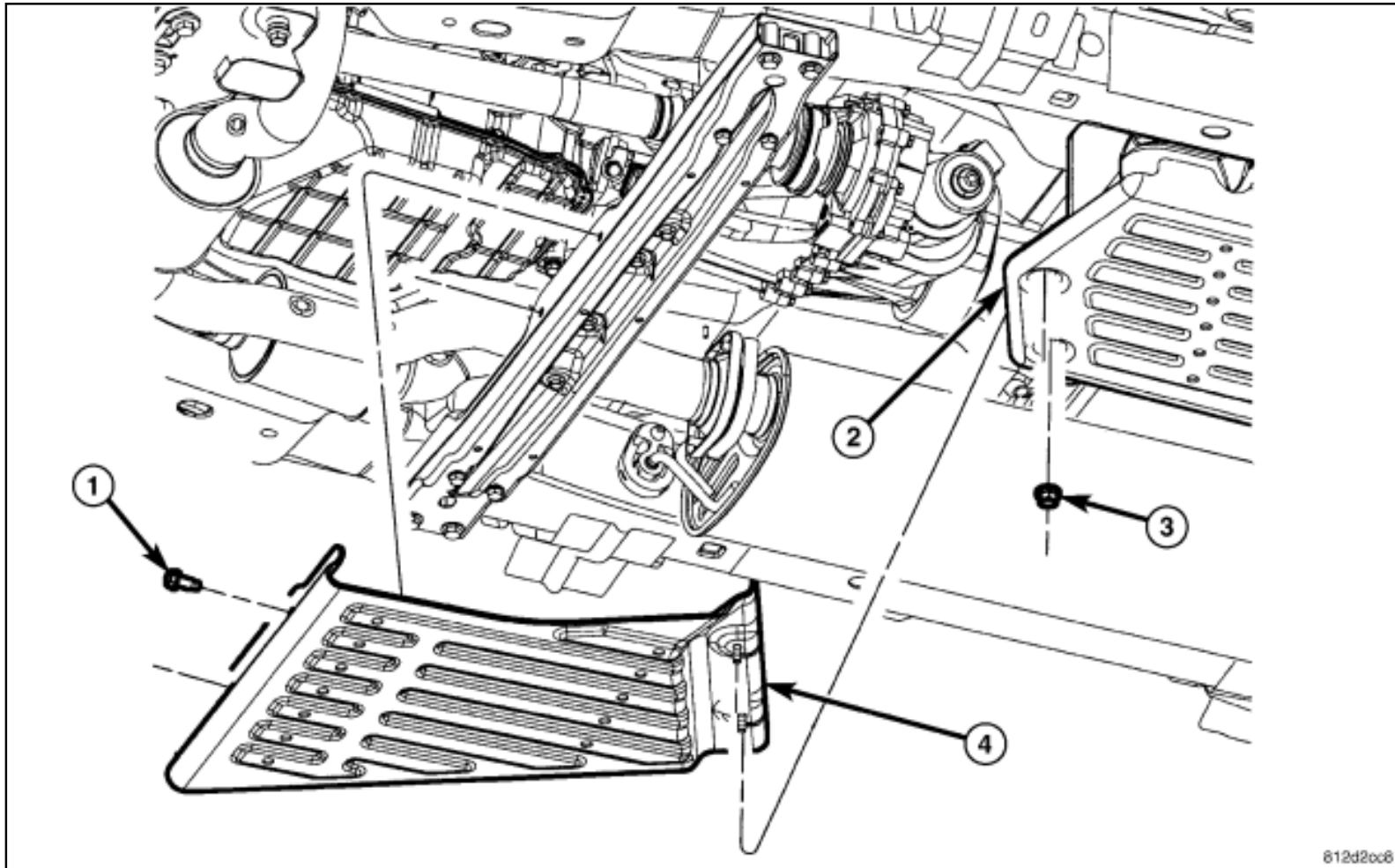


REMOVAL



1. Raise and support the vehicle.
2. Remove the crossmember bolts (1).
3. Remove the nuts (3) and remove the skid plate.