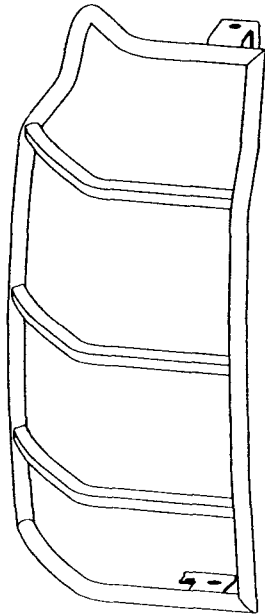




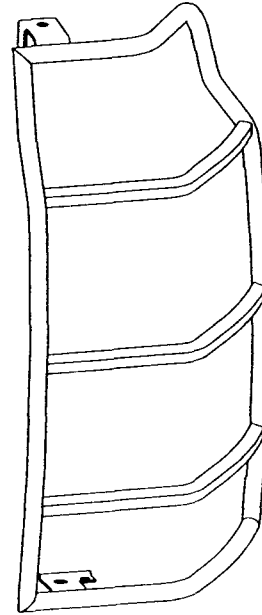
# Jeep Commander

## Tail Light Guards



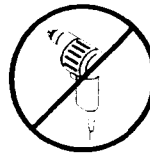
**A** x1

Drivers Side



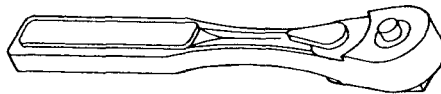
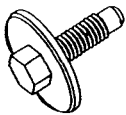
**B** x1

Passengers Side



70°F / 20°C  
Minimum  
Temperature  
For Product  
Installation

**C** x2



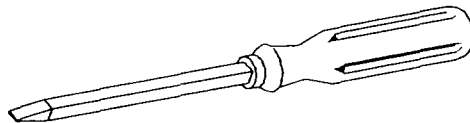
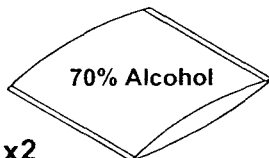
10mm

**D** x2



10mm

**E** x2





**1** L/R

70% Alcohol  
C x1  
3 minutes

**2** L/R

Remove Tail Lamp

**3**

Unclip Wire Harness.  
Attach to Small  
Bracket Hole.

**4**

Peel Off Red  
Vinyl Tape  
Backing On  
Short Bracket.  
Peel Off Only  
1" Of Vinyl  
Tape Backing  
On The Long  
Tape Strip.

1" (25mm)  
ONLY!

1" (25mm)  
ONLY!

x1

**5**

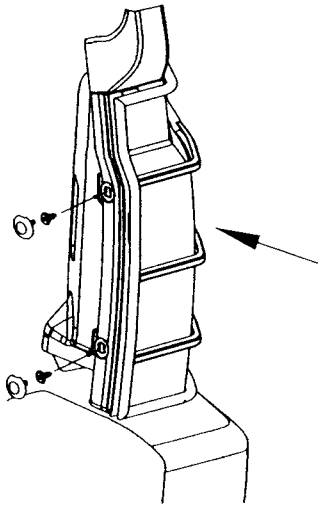
Insert Top Bracket Tab Into  
Channel In Top of Tail Lamp

**6**

!! DO NOT  
OVERTIGHTEN !!

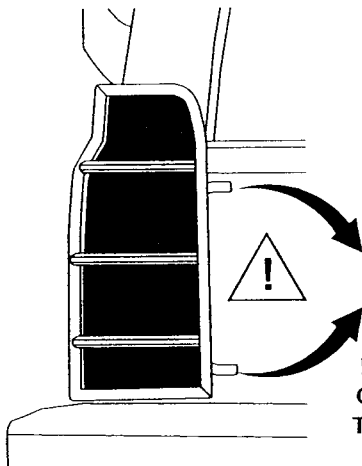


## Reinstall Tail Lamp



7

L / R

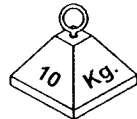
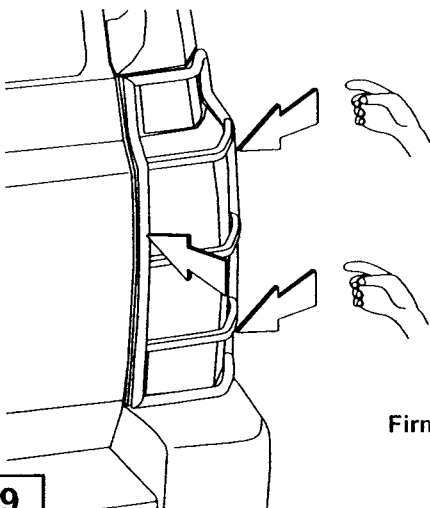


L / R

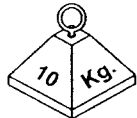
Remove The Remaining Vinyl Tape Backing By Pulling Back The Ends.

!! Warning - Once The Guard Is Attached With The 3M Tape, It Can Not Be Re-Adjusted !!

8



1 Minute



1 Minute

Firmly Apply Pressure For 1 Minute.  
All Positions.

9