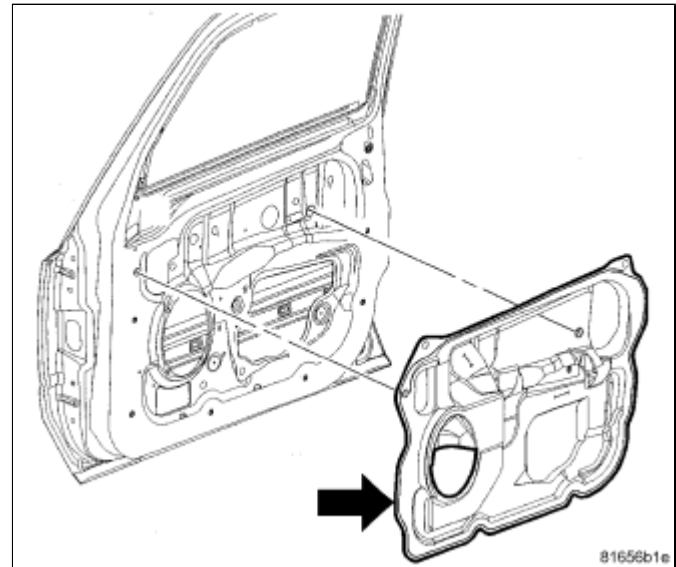
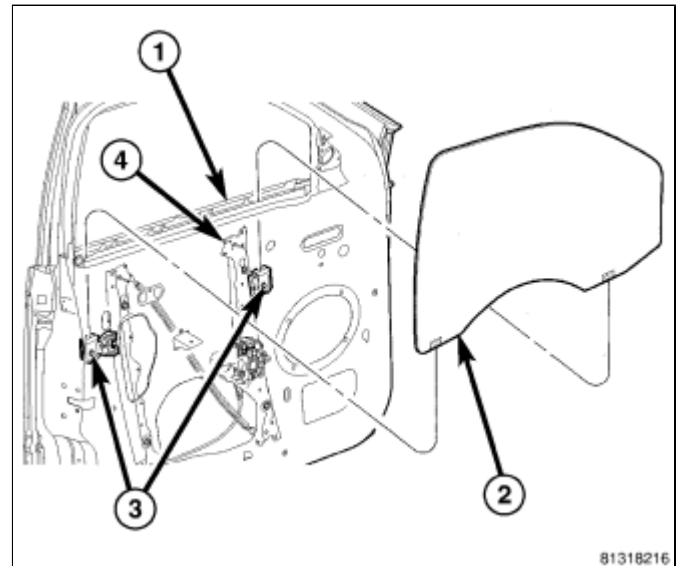


## REMOVAL

1. Remove the watershield ([Refer to 23 - BODY/DOOR - FRONT/WATERSHIELD - REMOVAL](#)).



2. Temporarily install the window switch and position the glass (2) fully up to gain access to the glass clamp screws (3).  
 3. Loosen the bolt in each of the window regulator glass clamps just far enough to release the door glass from the clamps. Do not completely remove.  
 4. Tape the glass securely into place.



5. Remove the mid-conduit clip and door harness clip prior to regulator removal.  
 6. Remove the bolts (1 and 3) that secure the window regulator rails to the inside of the door.  
 7. Lower the regulator rails within the door far enough to access and disconnect the wire harness connector (5) from the regulator motor through the large access hole in the center of the door and remove the regulator.

