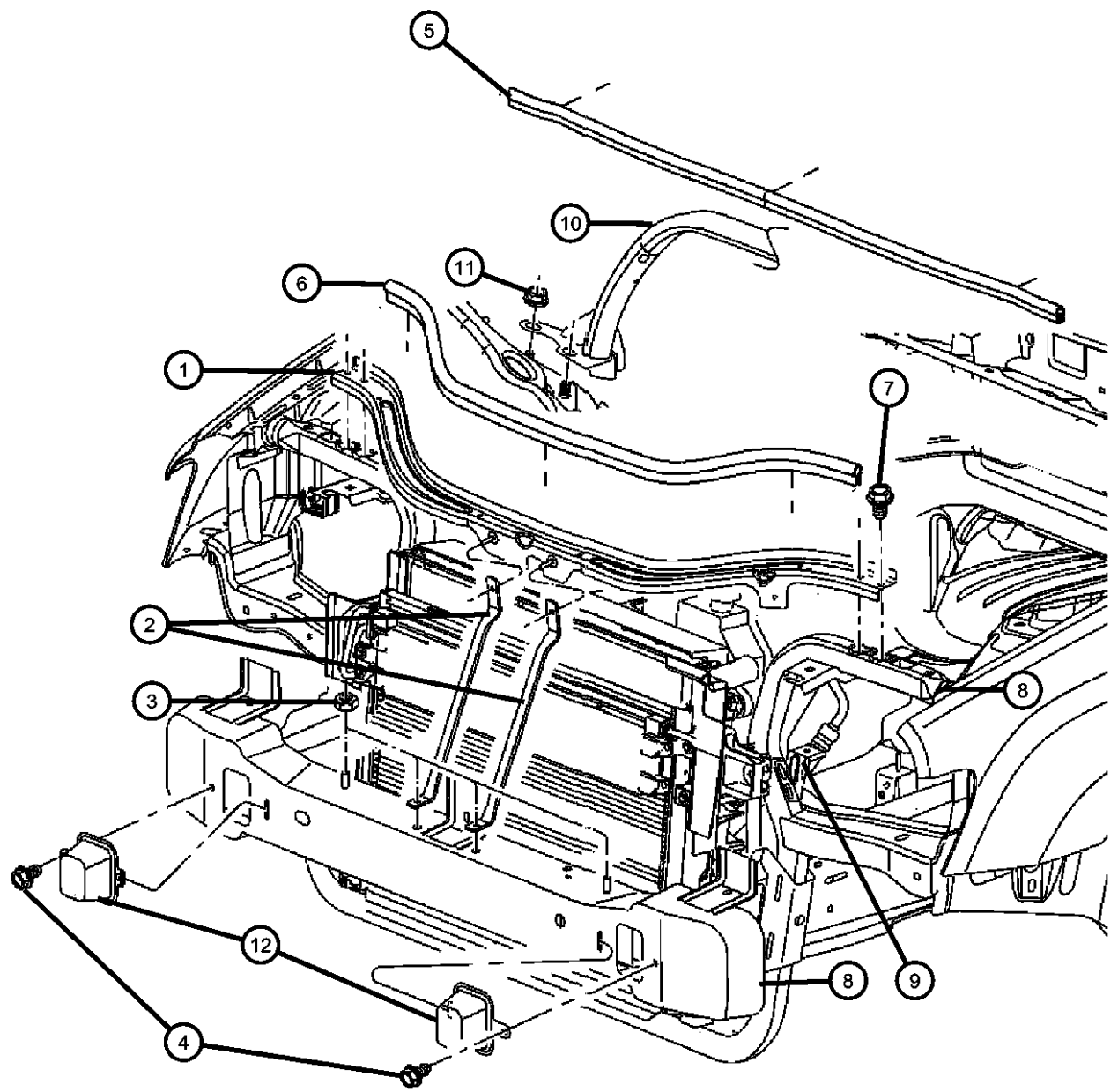


**Radiator Upper Support
Figure 7-170**



ITEM	PART NUMBER	QTY	LINE	SERIES	BODY	ENGINE	TRANS	TRIM	DESCRIPTION
1	55396487AD	1	J, T						CROSSMEMBER, Radiator
2	55396492AB	2	J, T						BRACE, Radiator Crossmember
3	06104726AB	2							NUT, Brace Attachment
4	06505903AA	2	J, T						SCREW AND WASHER, Self Tapping, M6x1x22, Front Fascia to Crossmember
5	55394777AB	1	J, T						SEAL, Hood To Plenum
6	55394851AA	1	J, T						WEATHERSTRIP, Hood
7	06104368AA	4	J, T						SCREW, Attach Upper Crossmember to Lower Crossmember
8	55396487AD	1	J, T						CROSSMEMBER, Radiator
9									BRACKET, Air Bag
	55396820AB	1	J, T						Right
	55396821AB	1	J, T						Left
10	55396886AC	1	J, T						BRACE, Suspension
11	06502697	8							NUT, Hex Flange Lock, M12x1.75
12	55360410AA	2	J, T						SPACER, Jounce Bumper

COMMANDER (XK)

SERIES LINE
H = HIGHLINE T = JEEP - 2WD
P = PREMIUM J = JEEP - 4WD
S = SPORT

BODY
74 = SPORT UTILITY 4-DR
TYPE #4

ENGINE
EKG = 3.7L V6 Engine
EVA = 4.7L V8 MPI Engine
EVD = 4.7L V8 FFV Engine
EZB = 5.7L Hemi Multi
Displacement Engine

TRANSMISSION
DGJ = 5-Speed Auto W5A580
Transmission
DGQ = 5-Spd Automatic 545RFE
Transmission

AR = use ase required - = Non illustrated part