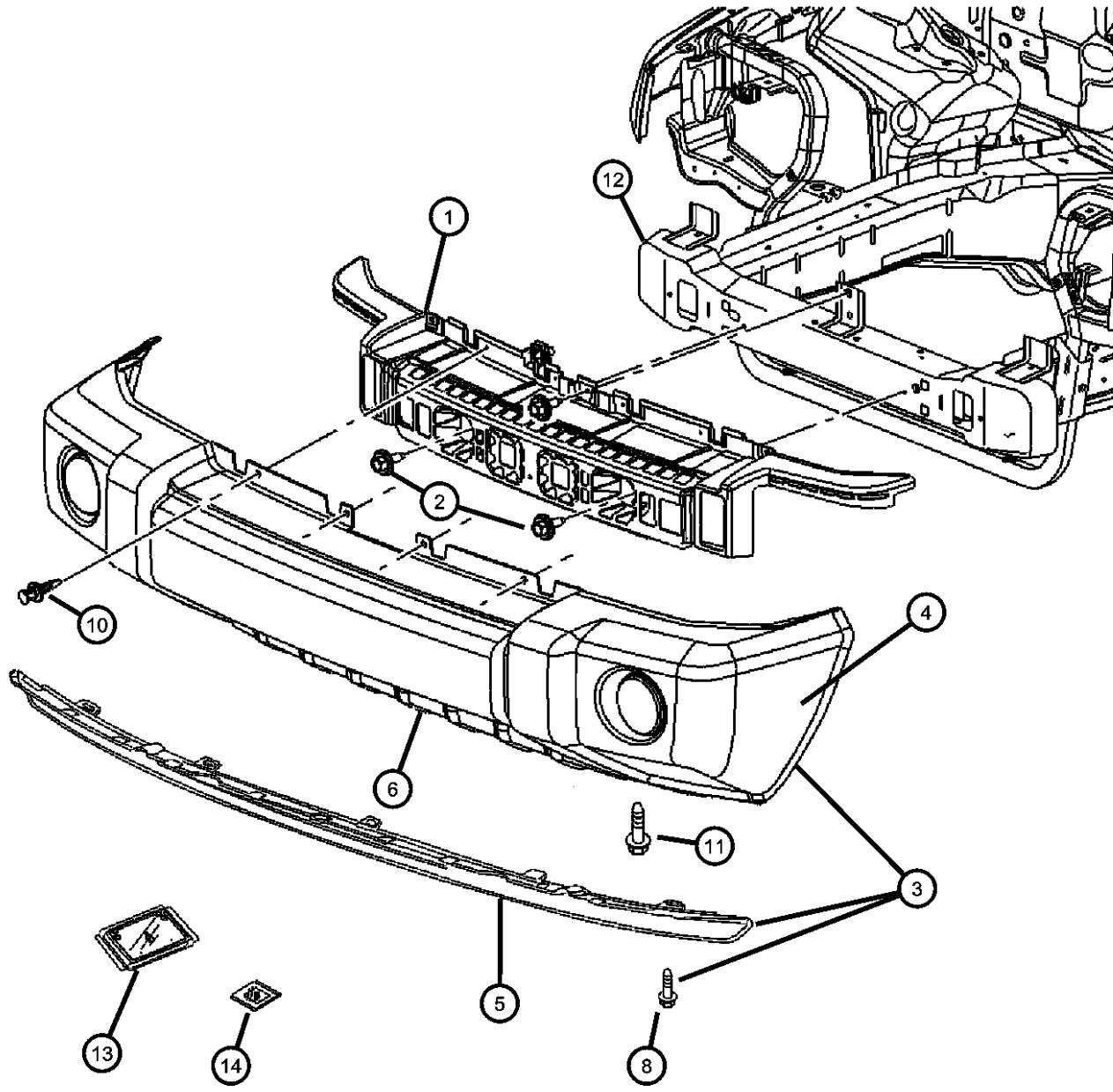


Bumper, Front
Figure 13-210



ITEM	PART NUMBER	QTY	LINE	SERIES	BODY	ENGINE	TRANS	TRIM	DESCRIPTION
Note: When Item #1, Bracket, Fascia 55156974AC is exhausted 55156974AD will be used. To make 55156974AD work for vehicles that had 55156974AC, use 55156974AD.									
1	55156974AE	1	J, T		74				BRACKET, Fascia
2	06508237AA	1	J, T		74				SCREW
3									FASCIA, Front
	5JU641BMAC	1	J, T	P	74				[BM], Body Color/Bright [MB3]
	5JU641DAAC	1	J, T	P	74				[DA], Body Color/Bright [MB3]
	5JU641DMAC	1	J, T	P	74				[DM], Body Color/Bright [MB3]
	5JU641EMAC	1	J, T	P	74				[EM], Body Color/Bright [MB3]
	5JU641GJAC	1	J, T	P	74				[GJ], Body Color/Bright [MB3]
	5JU641SBAC	1	J, T	P	74				[SB], Body Color/Bright [MB3]
	5JU641W1AC	1	J, T	P	74				[W1], Body Color/Bright [MB3]
	5JU641X8AC	1	J, T	P	74				[X8], Body Color/Bright [MB3]
4									FASCIA, Front, Primed
	05183429AA	1	J, T		74				Body Color/Bright [MB3]
	05183619AA	1	J, T	H	74				Body Color [MLH]
5	05183438AA	1	J, T		74				AIR DAM
6									NERF, Fascia, Bright
	05183439AA	1	J, T	P	74				Bright
	68002948AA	1	J, T		74				Platinum
-7	06506579AA	4	J, T		74				SCREW, Tapping
8	05183468AA	5	J, T		74				RETAINER, Air Dam
-9	05183440AA	1	J, T	H	74				COVER, Lamp Opening, Without Fog Lamps
10	04857108	4	J, T		74				RETAINER, Fascia to Support
11	06505903AA	2	J, T		74				SCREW AND WASHER, Self Tapping, M6x1x22, Fascia to Crossmember
12	05166082AB	1	J, T		74				CROSSMEMBER, Underbody
13	55156796AA	1	J, T		74				LICENSE PLATE KIT
14	06505903AA	2	J, T		74				SCREW AND WASHER, Self Tapping, M6x1x22, Front Bracket to Body

COMMANDER (XK)
 SERIES LINE BODY ENGINE TRANSMISSION
 H = HIGHLINE T = JEEP - 2WD 74 = SPORT UTILITY 4-DR TYPE #4 EKG = 3.7L V6 Engine DGJ = 5-Speed Auto W5A580
 P = PREMIUM J = JEEP - 4WD EVA = 4.7L V8 MPI Engine Transmission
 S = SPORT EVD = 4.7L V8 FFV Engine DGQ = 5-Spd Automatic 545RFE
 EZB = 5.7L Hemi Multi Displacement Engine Transmission

AR = use ase required - = Non illustrated part