

Audio System Upgrade Package 2007-2009 Jeep Wrangler 4-Door and 2-Door

Installation Instructions

CONTENTS

1EA. EIGHT CHANNEL AMPLIFIER
1EA. INSTRUCTIONS

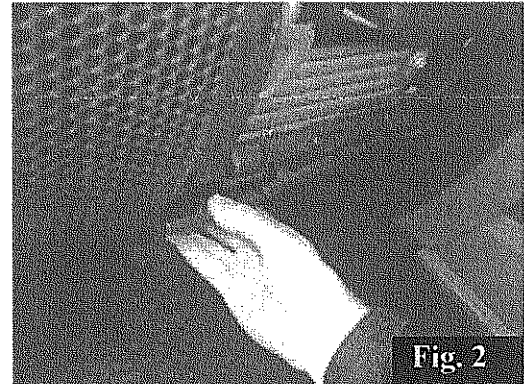
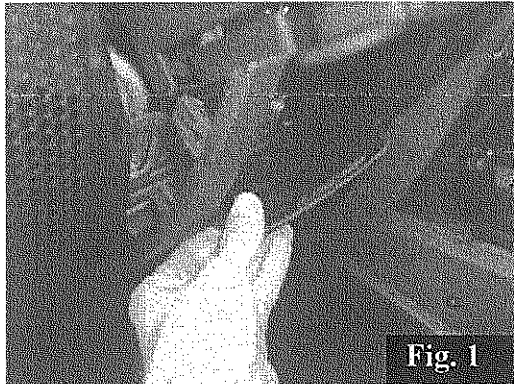
P/N MPCAN046AA
P/N RBI77KICK46

TOOLS REQUIRED:

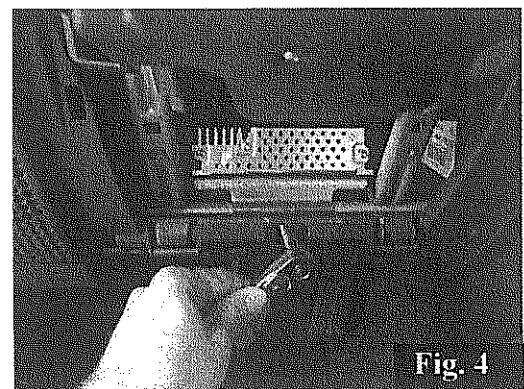
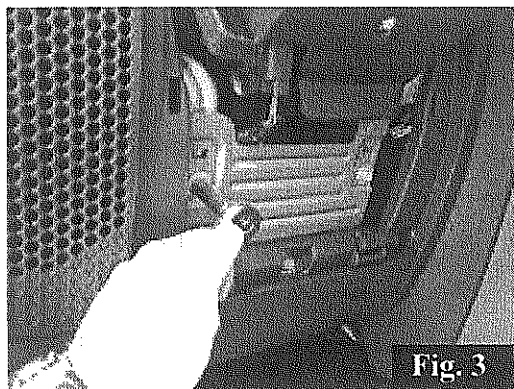
Torx®T-25
10mm Socket
Ratchet

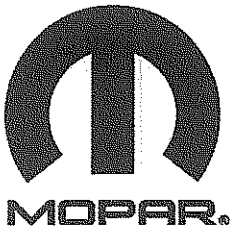
Amp Installation

1. Disconnect the negative battery terminal.
2. Gently pull out on the panel just below the steering column, rotate down and remove. Fig. 1
3. Find the small panel just below the one you just removed and pull to remove it as well. Fig. 2



4. Using a 10mm socket and ratchet remove the two 10mm bolts securing the metal plate below the steering column. Fig. 3
5. Remove the center 10mm bolt securing the amplifier/bracket assembly. Fig. 4





Audio System Upgrade Package 2007-2009 Jeep Wrangler 4-Door and 2-Door

Installation Instructions

6. Disconnect amp wiring and remove the amp by pulling straight out toward the seat.
7. Remove the four Torx® T25 screws securing the amplifier to the bracket. Install the upgrade amplifier to the bracket using the original screws. Fig. 5
8. Reinstall the amplifier/bracket assembly back into the dash. The upgrade amplifier is slightly wider and will require being tilted at a slight angle to pass between the two metal bars of the dash substructure. Once the amplifier is past the beams it will reinstall exactly like the original amplifier. Fig. 6

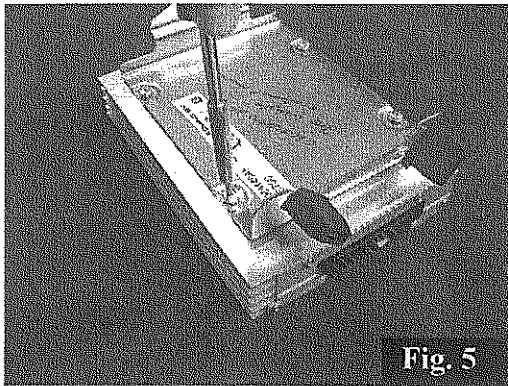


Fig. 5

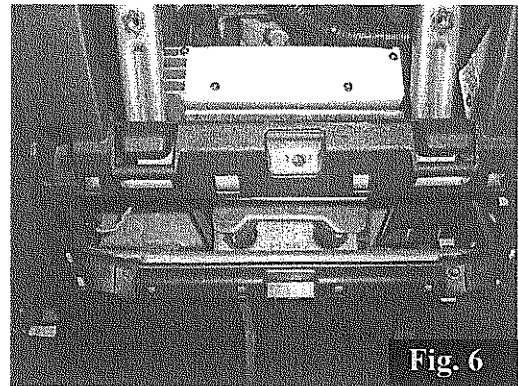


Fig. 6

9. Reconnect the amplifier wiring.
10. Reinstall all previously removed parts in reverse order.

Important: If you have previously installed the optional 77KICK24 Subwoofer System follow these steps for connection of the subwoofer input signal to ensure proper function.

Subwoofer Input Connection for Premium Audio vehicles with optional 77KICK46 (8 Channel Amp) Installed

11. Locate the 16 pin connector on the amplifier under the steering column. Find the green/brown stripe wire and the gray/brown strip wire in this connector and install one of the self stripping t-tap connectors on to each wire. Lay the wire in the open channel, fold the connector body over and squeeze with a pair of pliers until connector snaps shut. Fig. 7
12. Connect the green wire of the subwoofer harness to the gray/brown strip wire. Connect the brown wire of the subwoofer harness to the green/brown stripe wire.

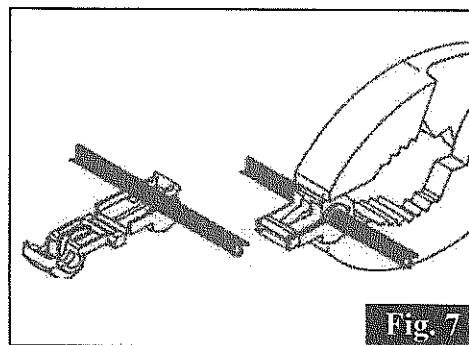


Fig. 7