

*Read entire instructions thoroughly before starting.
Be sure to tighten all fasteners only to designated torque specifications.*

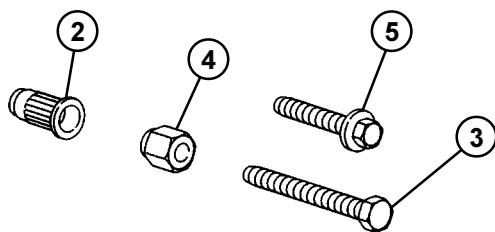
TOOLS REQUIRED:

- 10W30 lube oil
- 9/16 wrench
- Inch pound (Newton meter) torque wrench
- 13mm socket
- 10mm socket

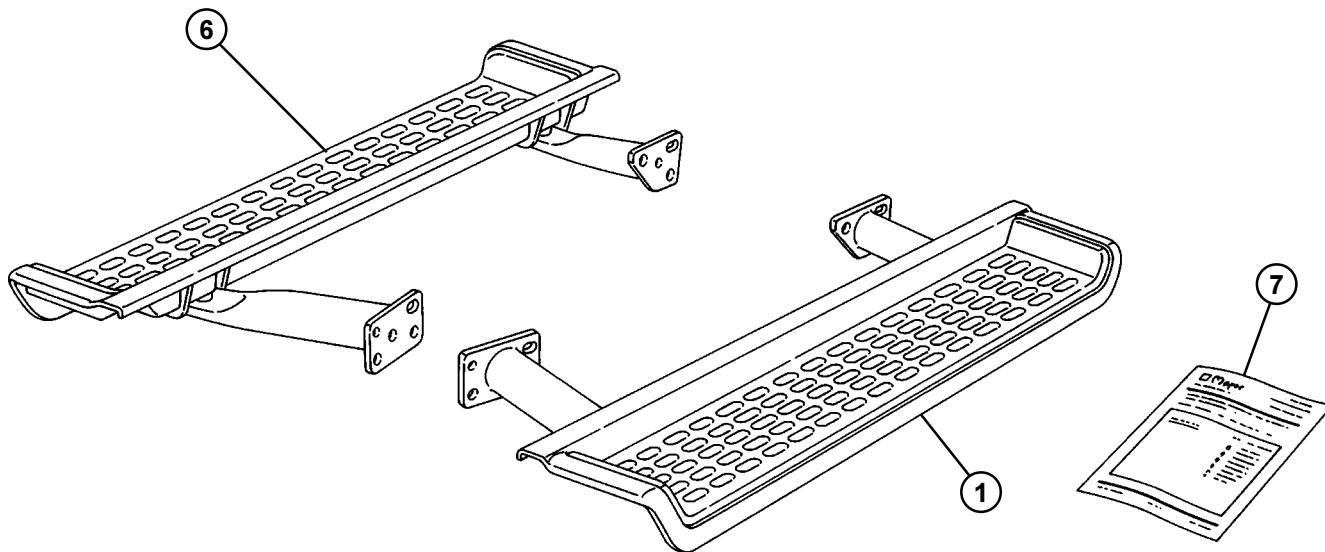
CAUTION !

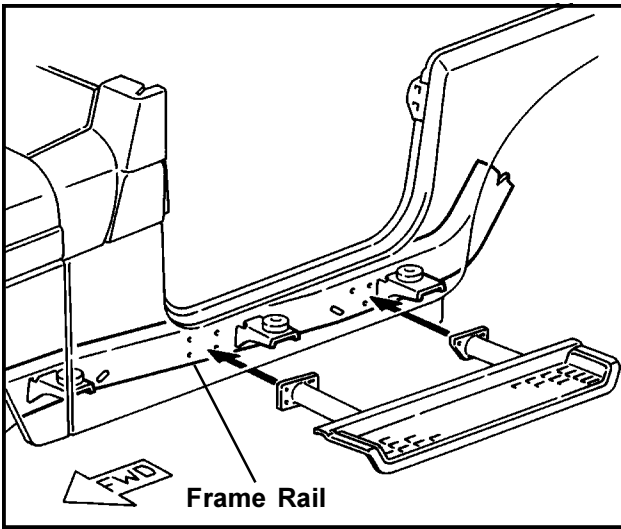
Use only the specified hand tools. Use of power tools could result in damage during the Rivet-Nut installations.

CONTENTS:



Item	Qty.	Description
①	1	Driver side Side Step
②	16	Rivet-Nuts (2 more than reqd.)
③	1	Rivet-Nut Installation Bolt
④	1	Rivet-Nut Installation Tool
⑤	14	Mounting Bolts
⑥	1	Passenger side Side Step
⑦	1	Instruction Sheet

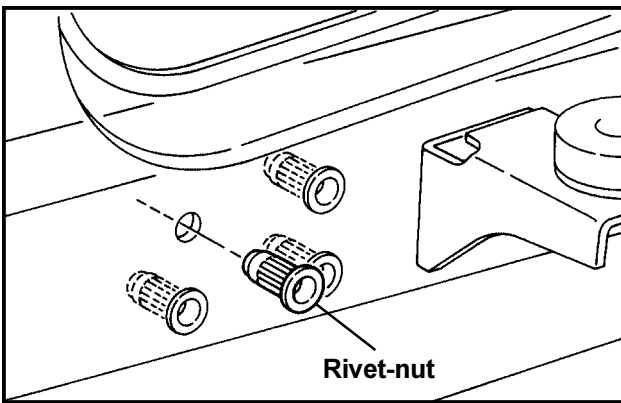




- 1) Using the driver side side step (Item 1) as a guide, locate the seven pre-drilled mounting holes in the frame rail (4 holes front – 3 holes rear) that the side step will attach to.
- 2) Set aside driver side side step and insert seven rivet-nuts (Item 2) into the seven mounting holes.
- 3) Apply 1-2 drops of 10W30 lube oil under the head of the rivet-nut installation bolt (Item 3).

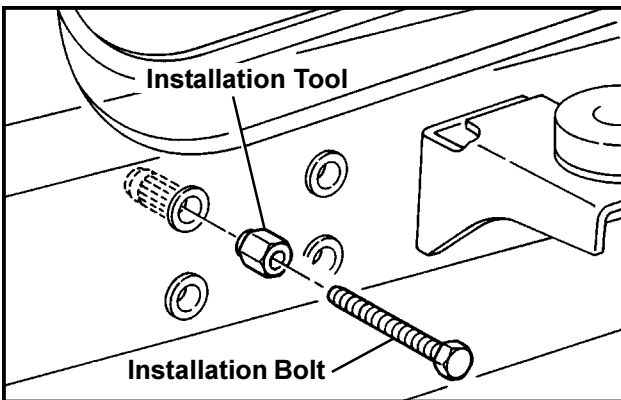
NOTE:

Oil must be used under head of bolt for each installation. The lack of oil could result in failure of bolt and/or rivet-nut.



- 4) Place rivet-nut installation tool (Item 4) on top of any one of the previously hand-installed rivet-nuts.

- 5) Insert the installation bolt thru the installation tool and hand-tighten into the rivet-nut.

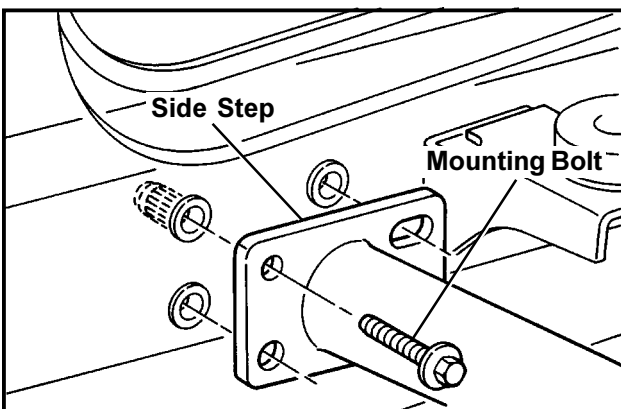


- 6) Using a 9/16 wrench with one hand to hold installation tool from turning, tighten the installation bolt with a torque wrench to collapse the rivet-nut.

- 7) Torque the installation bolt to 20-23 N·m (175-200 in lbs) for properly set rivet-nut.

- 8) Using a 13mm socket, remove the installation bolt and installation tool.

- 9) Repeat Step #3 thru Step #8 for the six remaining rivet-nuts.



- 10) Hold driver side side step into place on the frame rail and hand-start all seven mounting bolts (Item 5). Snug-tighten using a 10mm socket.

- 11) Torque the mounting bolts to 20-23 N·m (175-200 in lbs).

- 12) Repeat Step #1 thru Step #11 for installation of the passenger side side step (Item 6).