

Hitch Installation Instructions

GROSS LOADS:

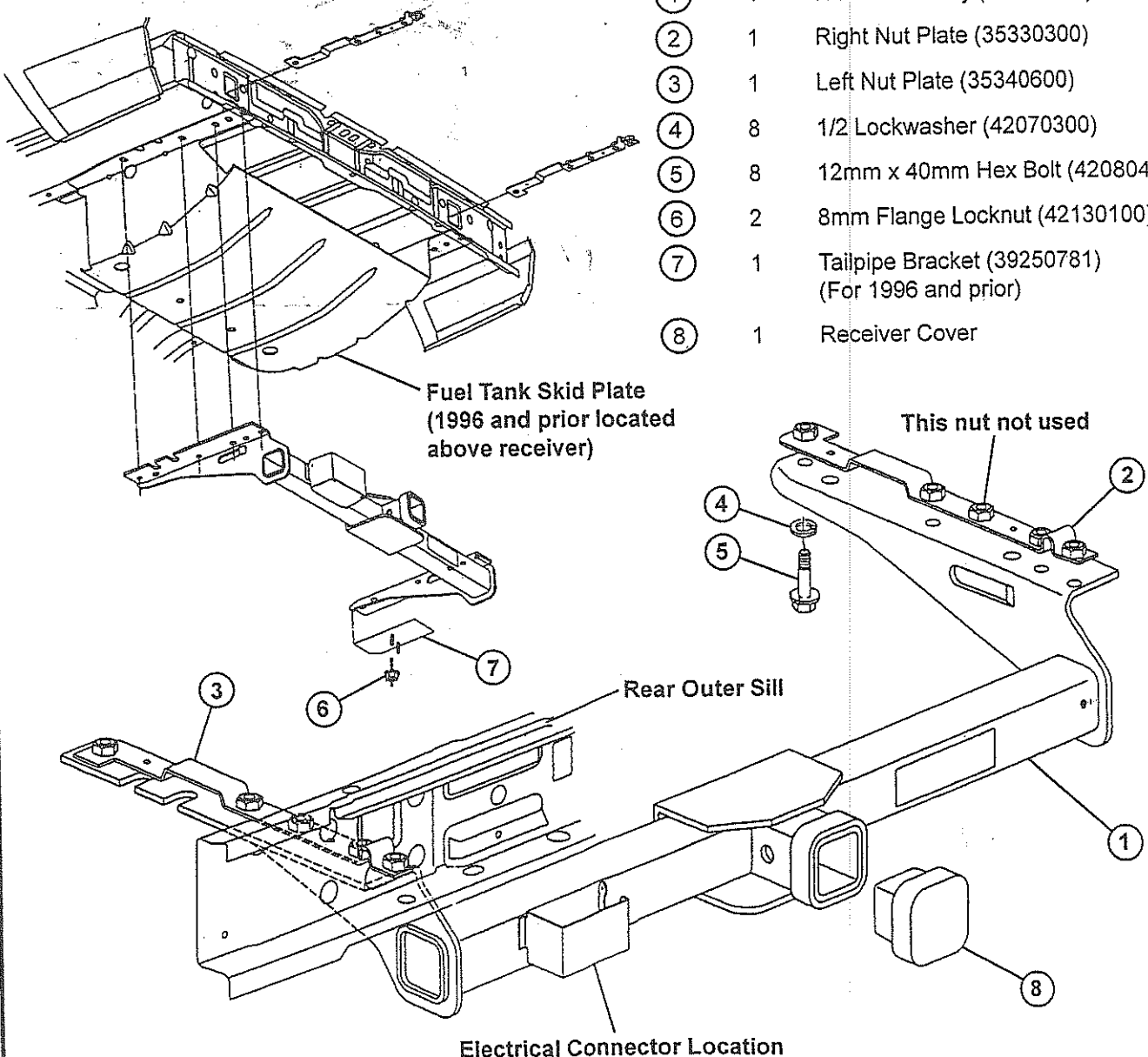
Capacity when used as a
 Weight Carrying Hitch with Braked Trailer:
 2000 LBS. MAX GROSS WEIGHT
 200 LBS. MAX GROSS TONGUE WEIGHT

Capacity when used as a
 Load Distributing Hitch with Braked Trailer:
 5000 LBS. MAX GROSS WEIGHT
 750 LBS. MAX GROSS TONGUE WEIGHT

WARNING: Although this receiver is designed to safely carry the loads specified, under no circumstances do we recommend exceeding the towing vehicle manufacturer's recommended vehicle towing capacities. (Refer to owners manual and warning on the last page of this I-sheet.)

CONTENTS:

No.	Qty.	Description
①	1	Hitch Assembly (10061081)
②	1	Right Nut Plate (35330300)
③	1	Left Nut Plate (35340600)
④	8	1/2 Lockwasher (42070300)
⑤	8	12mm x 40mm Hex Bolt (42080400)
⑥	2	8mm Flange Locknut (42130100)
⑦	1	Tailpipe Bracket (39250781) (For 1996 and prior)
⑧	1	Receiver Cover



- 1) Inspect vehicle for factory installed fuel tank skid plate and/or exhaust heat shield.
- 2) Check vehicle model to see if nut plates are required.

PRIOR TO 1997 (VEHICLE WITHOUT FUEL TANK SKID PLATE)

- LH & RH nut plates are required.

PRIOR TO 1997 (VEHICLES WITH FUEL TANK SKID PLATE)

- Both nut plates are already in place, no need to insert plates (discard).

1997 and AFTER (VEHICLES WITHOUT FUEL TANK SKID PLATE)

- Install LH nut plate (RH already in place).

1997 and AFTER (VEHICLES WITH FUEL TANK SKID PLATE)

- Both nut plates are already in place, no need to insert plates (discard).

If nut plates are not present on either or both sides, remove bumper to access holes in body to insert the nut plates included in the kit. See note below if vehicles are equipped with rear spare tire carrier.

- 3) Remove tailpipe hanger bracket from the right side of the vehicle. It will be re-installed after the hitch is installed.
- 4) Insert nut plates into the body (as required). The formed section of the plates will drop over existing vertical sheet metal sections in the body to correctly orientate the nut plates properly.
- 5) Re-install bumper at this time (if required).
- 6) Position hitch assembly up against vehicle body, aligning holes in hitch with nut plate.
 - Vehicles with just an exhaust heat shield, place hitch up against heat shield.
 - Vehicles with a fuel tank skid plate (See note below)
 - a) For 1996 and prior, it is recommended the hitch be placed against the skid plate.
 - b) For 1997 and later, it is recommended the skid plate be placed after the hitch is installed.

NOTE:

If equipped with a skid plate, there will be some double ended studs from the factory that must be removed and replaced with the hardware supplied in this kit. (Longer bolts are necessary.)

- 7) While holding all components in place, loosely install two (2) 12mm bolts to hold the parts in position.
PRIOR TO 1997 VEHICLES - Install tailpipe bracket (Item 7) at forward attachment holes, then install 12mm bolts.
- 8) Install the remaining 12mm bolts attaching the hitch to the nut plates. Torque to 75ft.-lbs.
- 9) Install the exhaust hanger on the right side of the hitch.
PRIOR TO 1997 VEHICLES - Re-install exhaust hanger to studs on tailpipe bracket using (2) M8 flange nuts (Item 6), as shown in the illustration.

VEHICLES WITH SPARE TIRE CARRIERS

The spare tire carrier must be removed before hitch can be installed. This can easily be done by removing the four bolts attaching the carrier to the bumper bracket and the nut at the top pivot point. After the hitch is installed and the bumper is in place, the carrier can be remounted.

WARNING: Refer to owner's manual for recommended axle lubricant (synthetic-type) required for towing. This gear lube is an SAE-GRADE 75W140 (Jeep service part number 04874469). Also refer to owner's manual for any other recommended vehicle equipment necessary for your towing application.