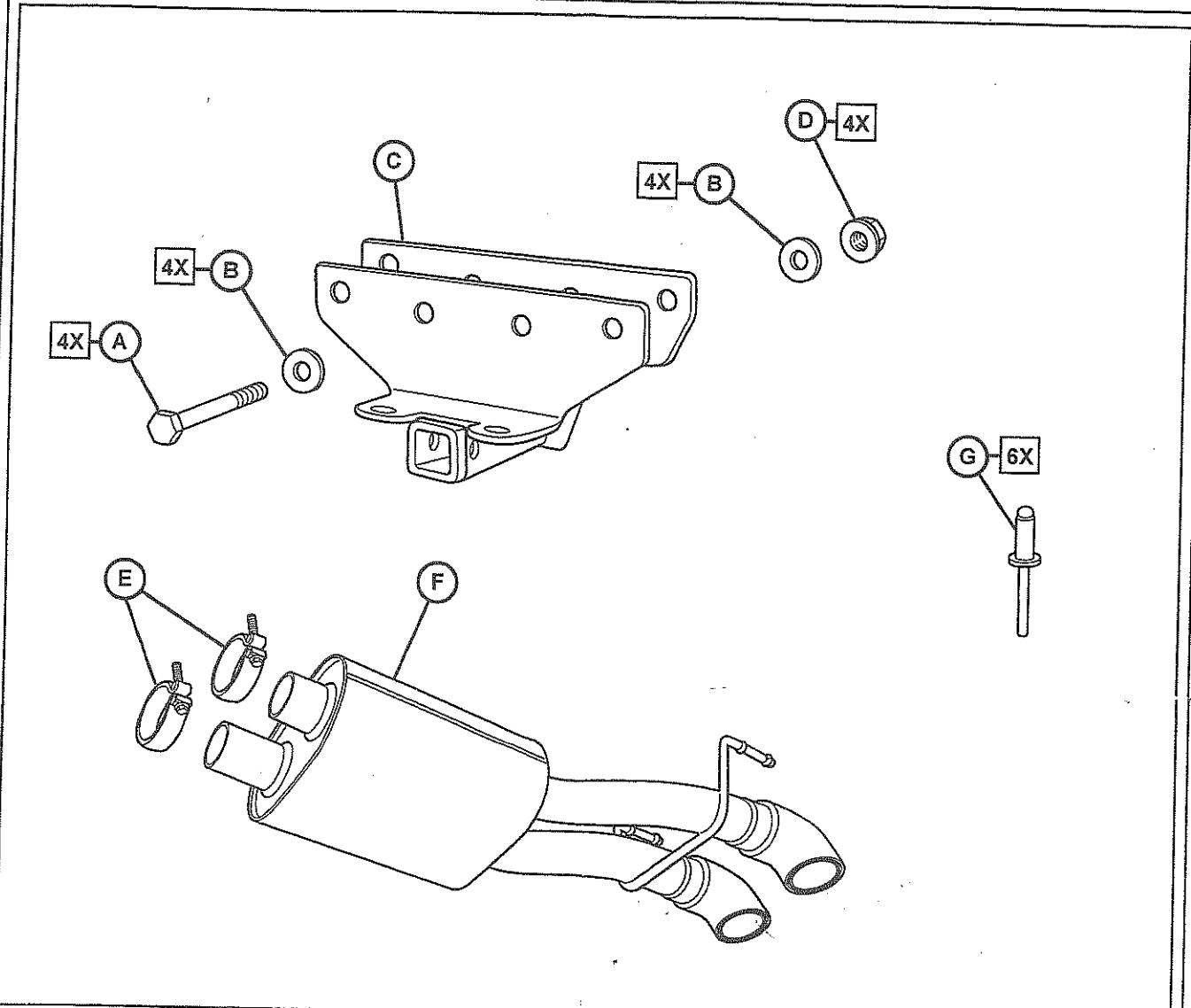


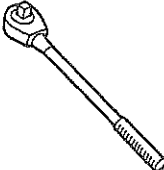

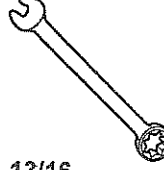
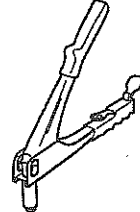


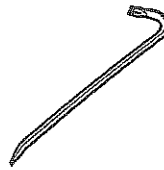


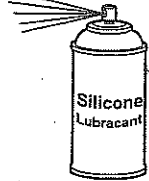


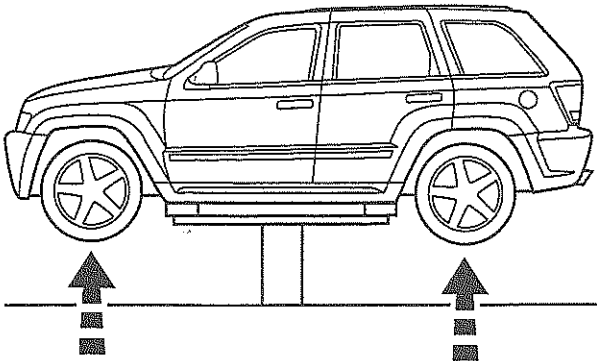


GRAND CHEROKEE SRT 8

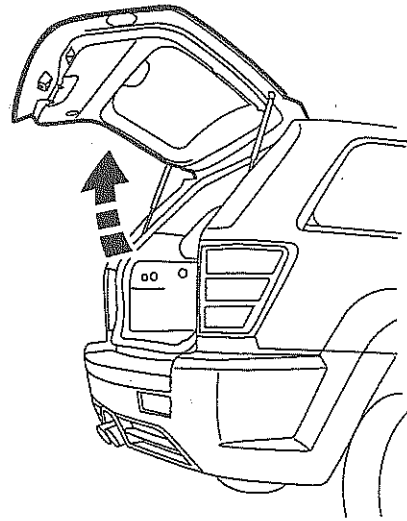
Hitch and Exhaust



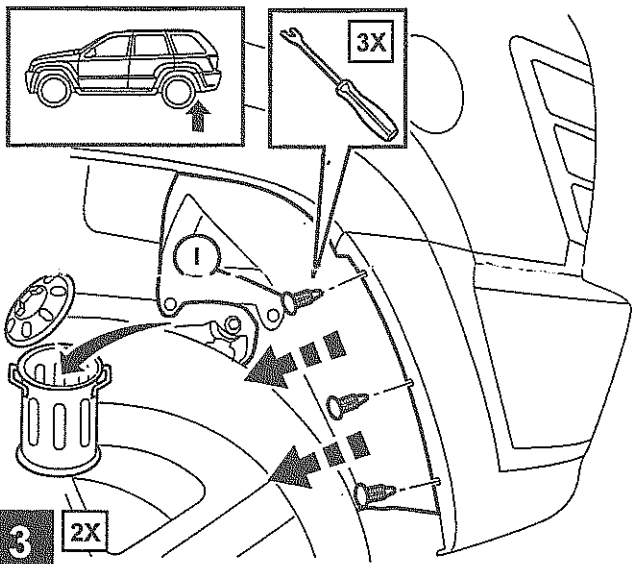
 <p>T-20</p>	 <p>7/8" 13mm</p>			 <p>13/16</p>	
					 <p>Silicone Lubricant</p>



1

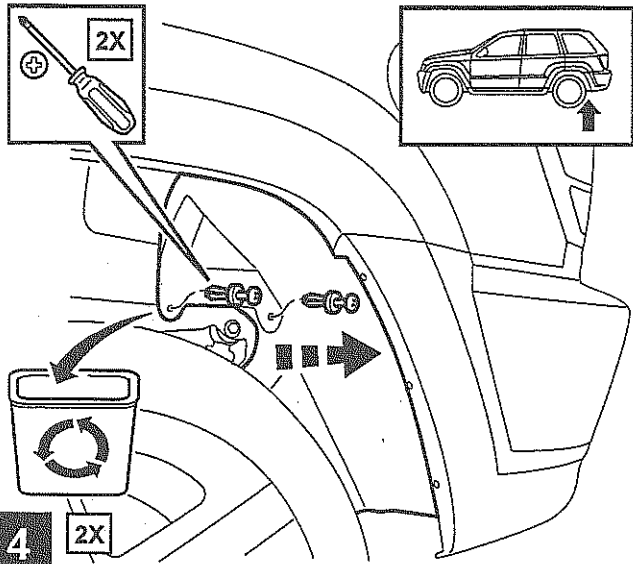


2



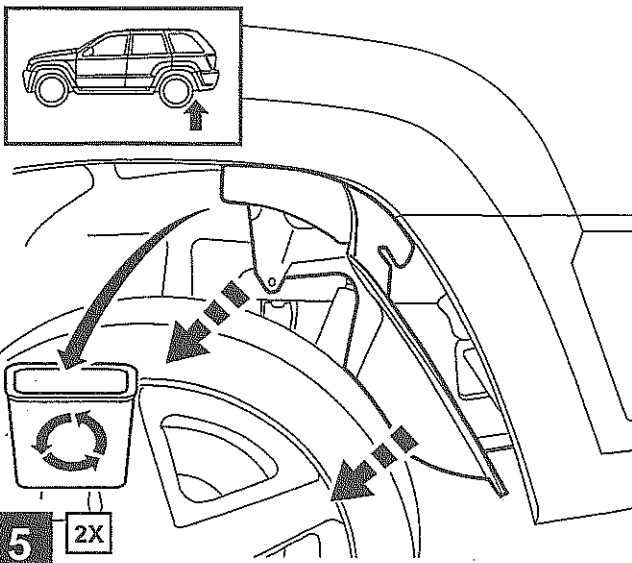
3

2X



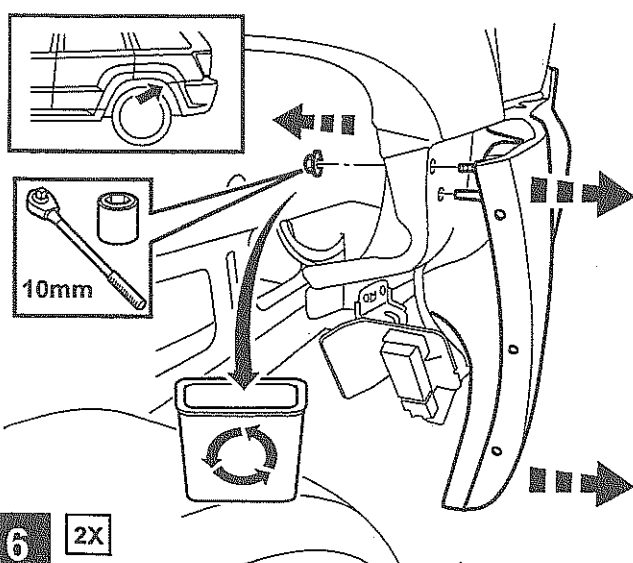
4

2X



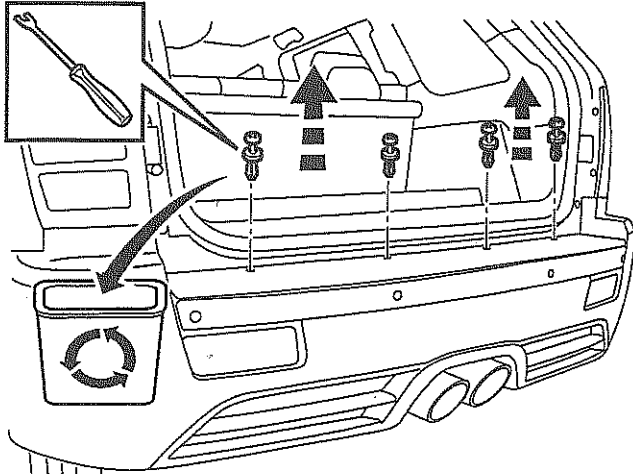
5

2X

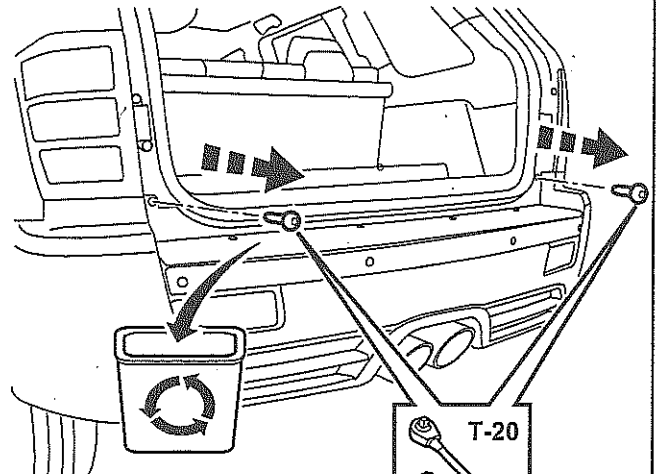


6

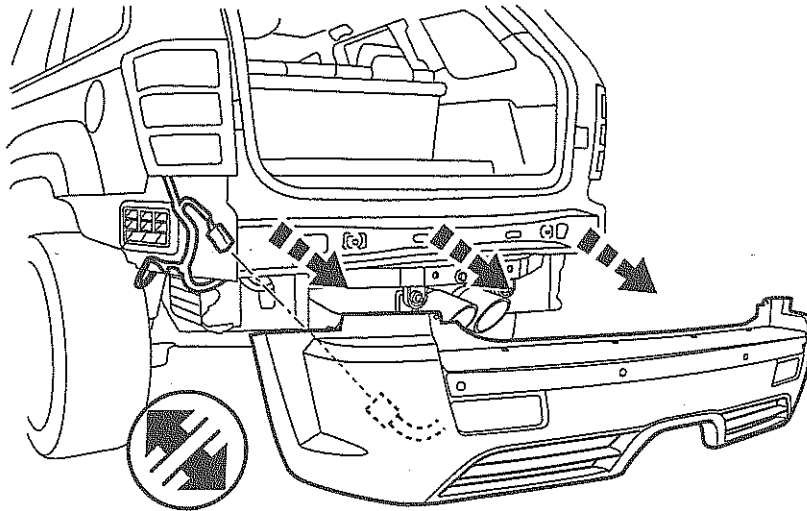
2X



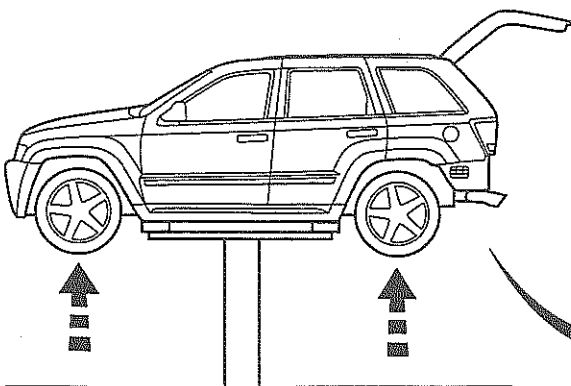
7



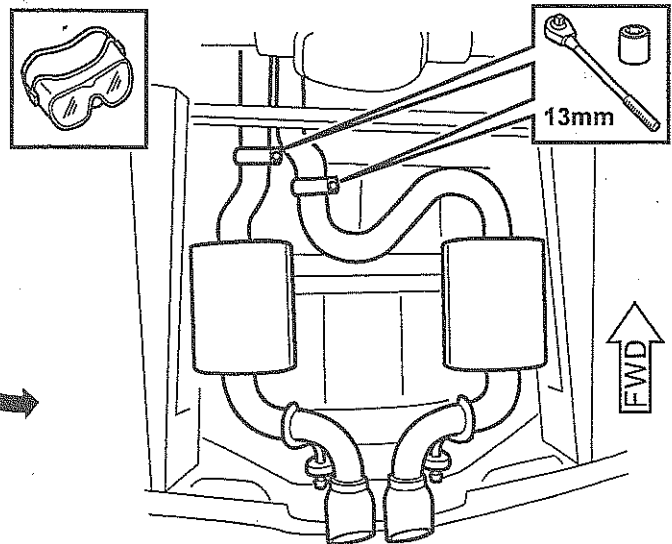
8

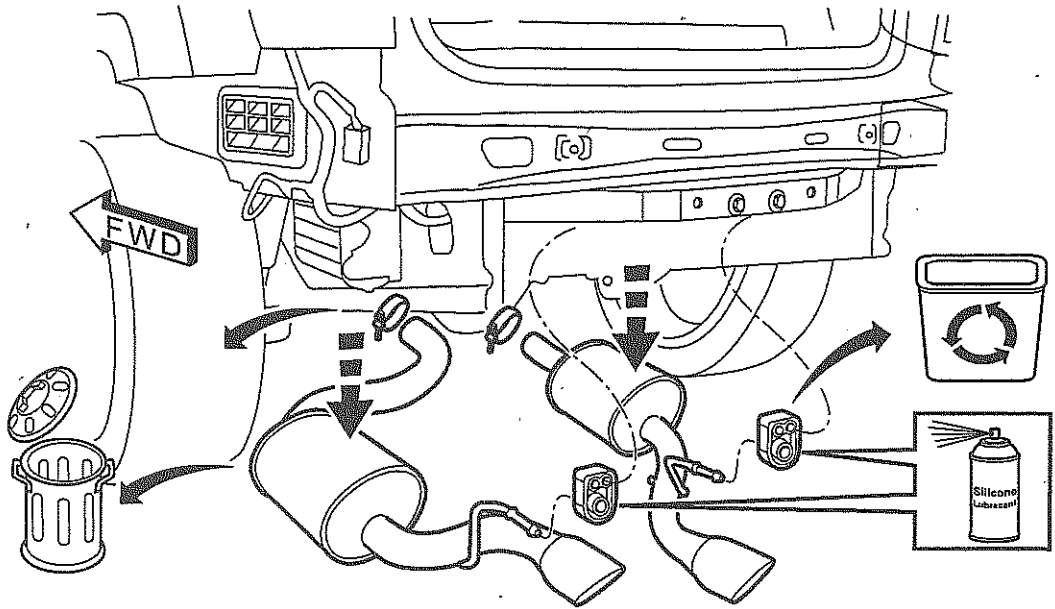
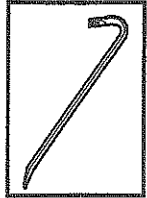


9

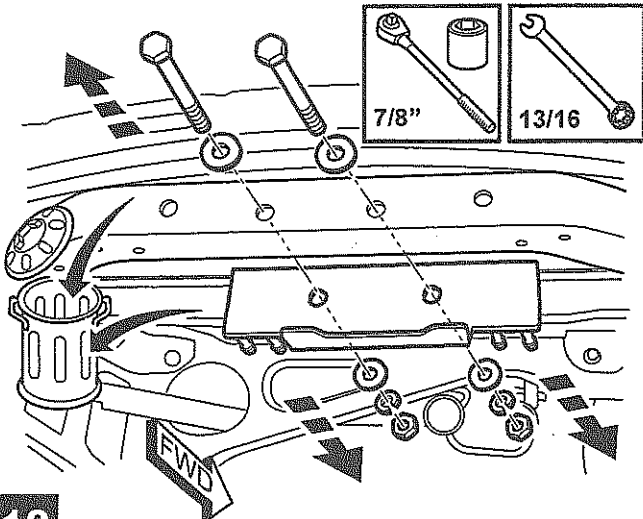


10

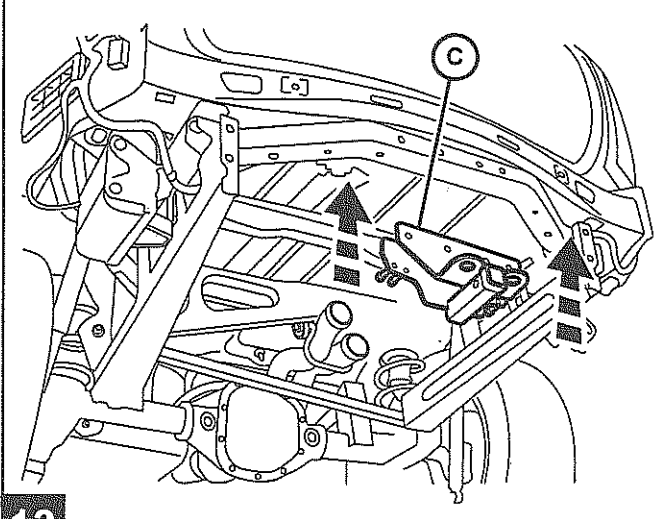




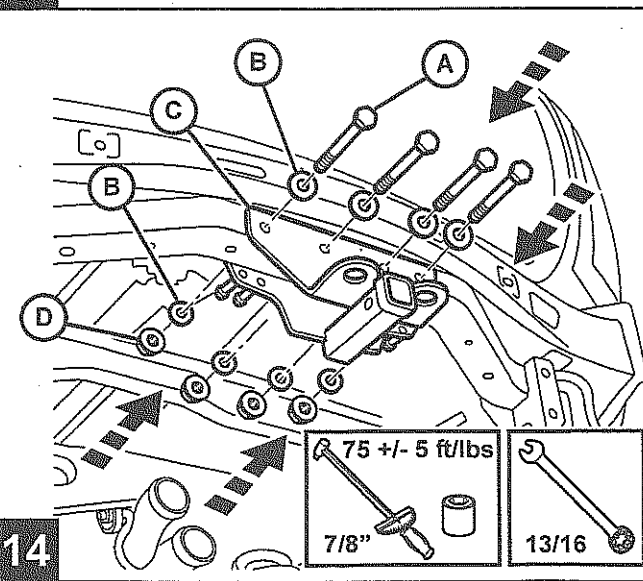
11



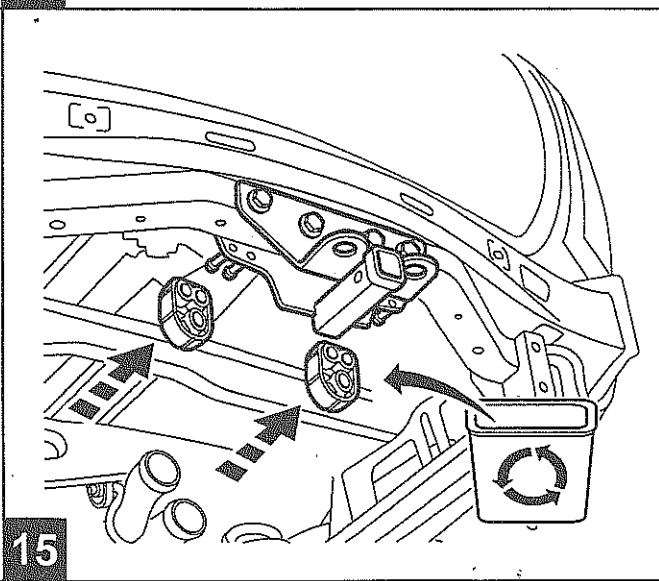
12



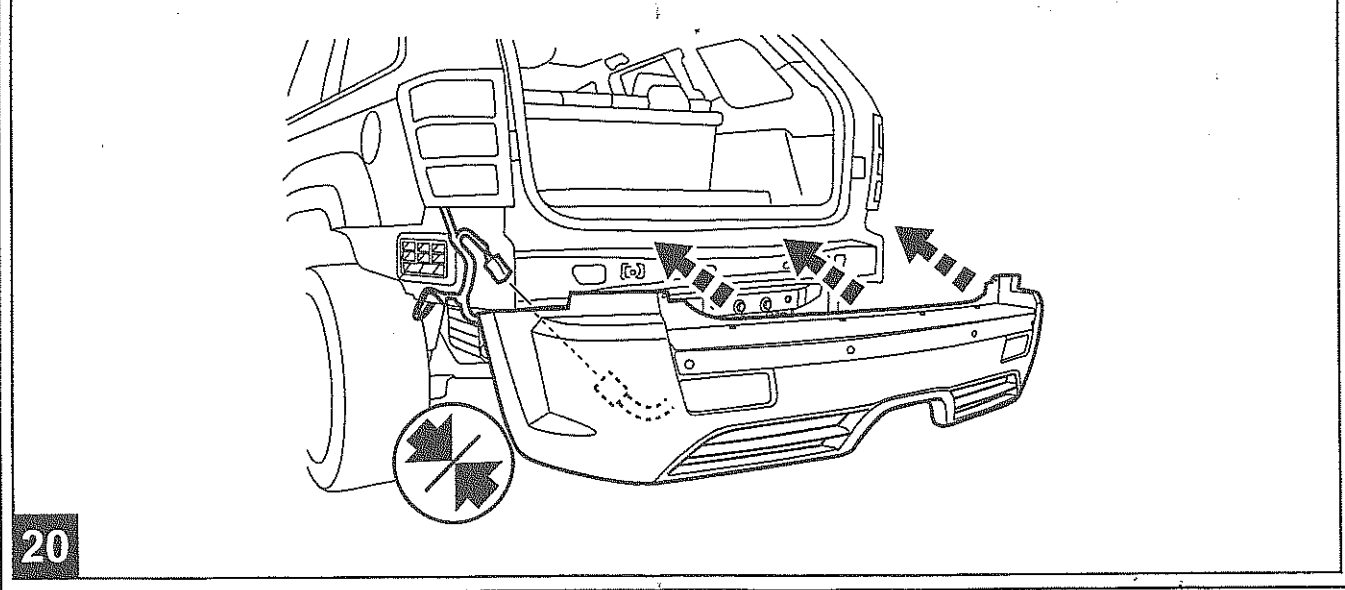
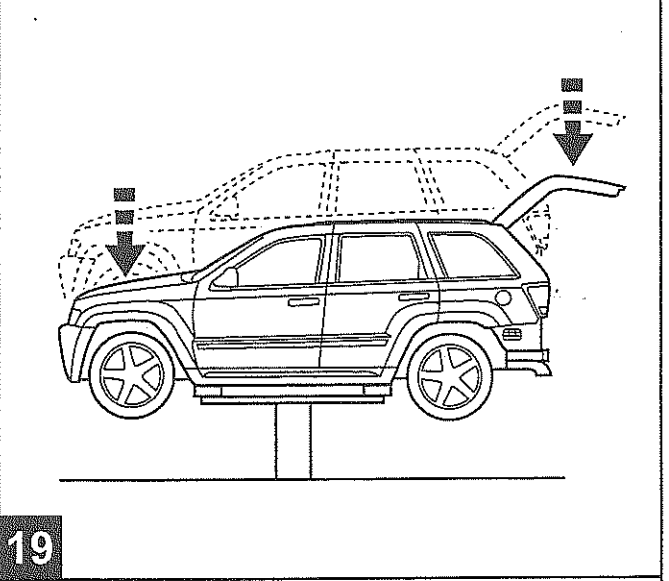
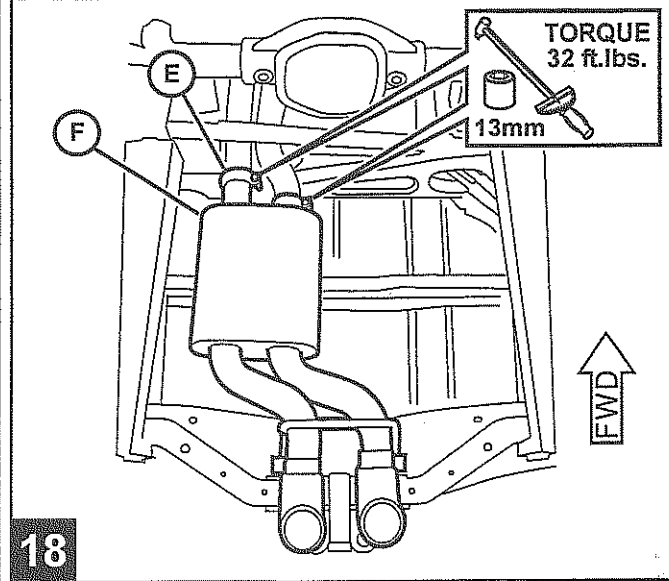
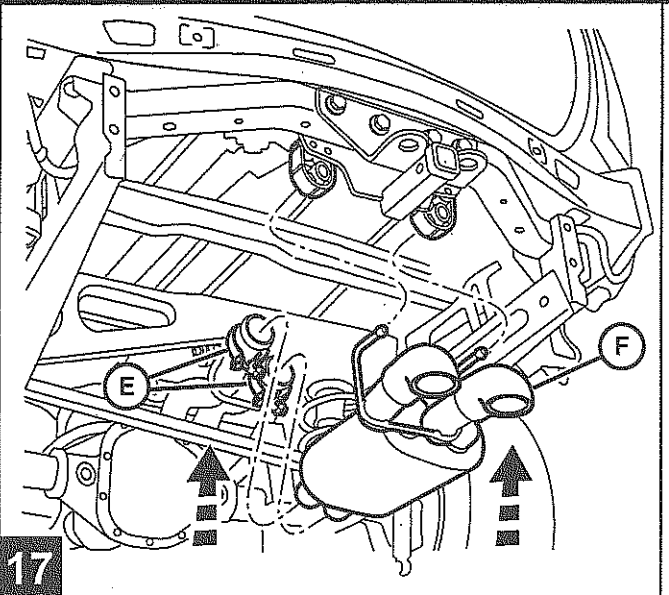
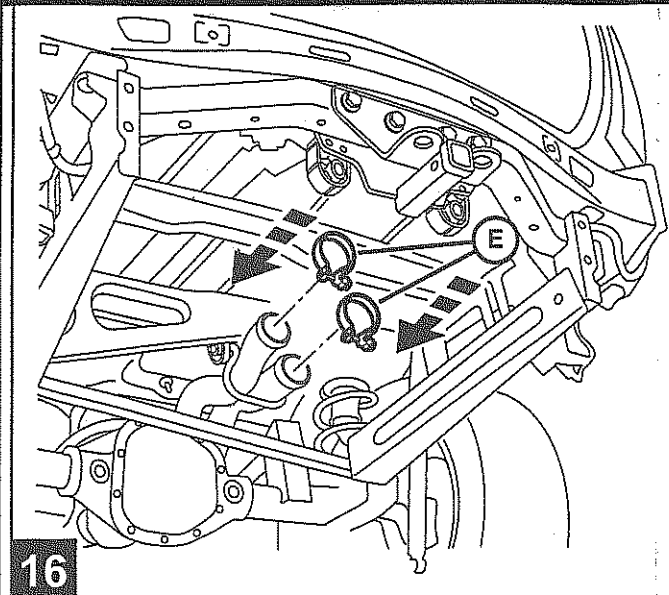
13

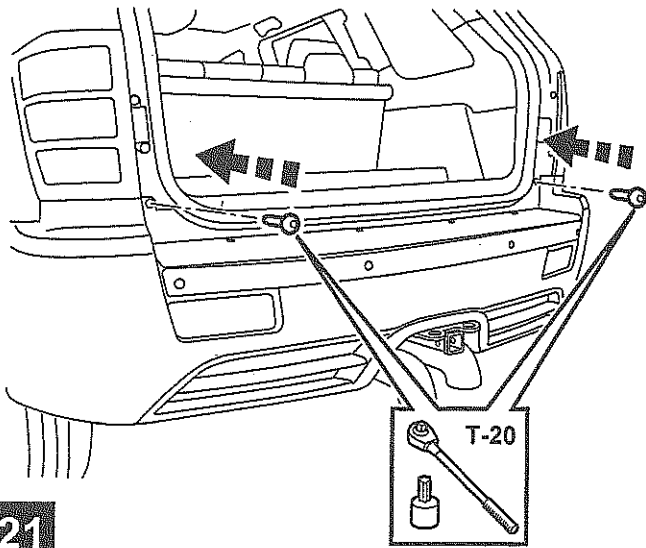


14

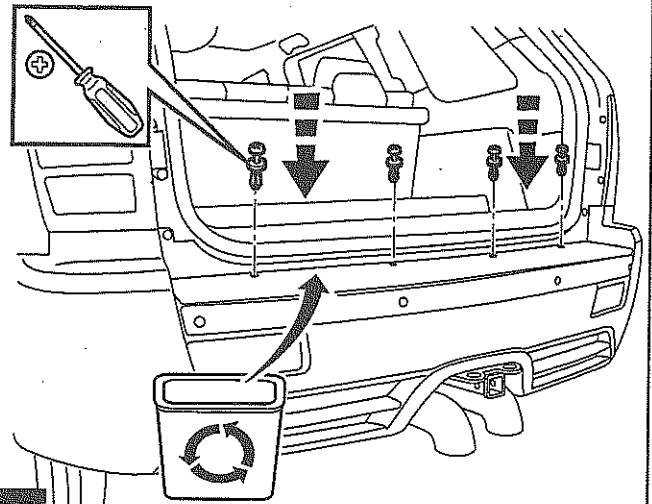


15

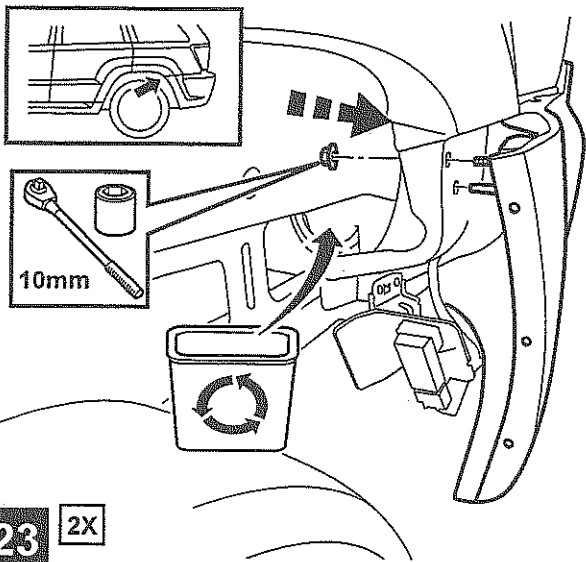




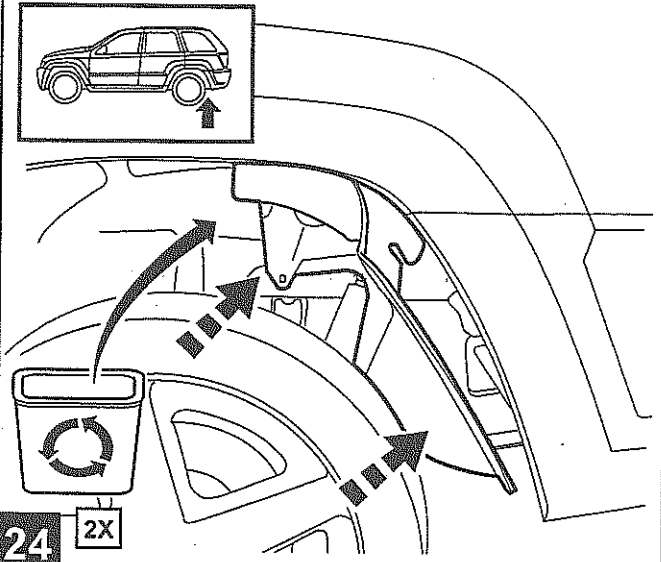
21



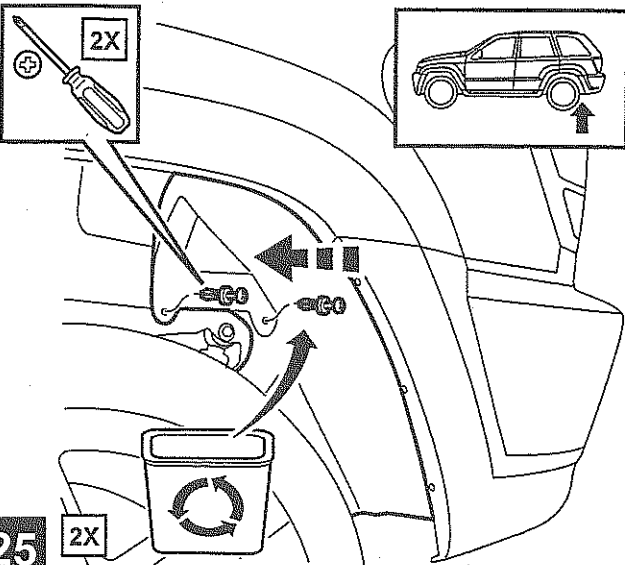
22



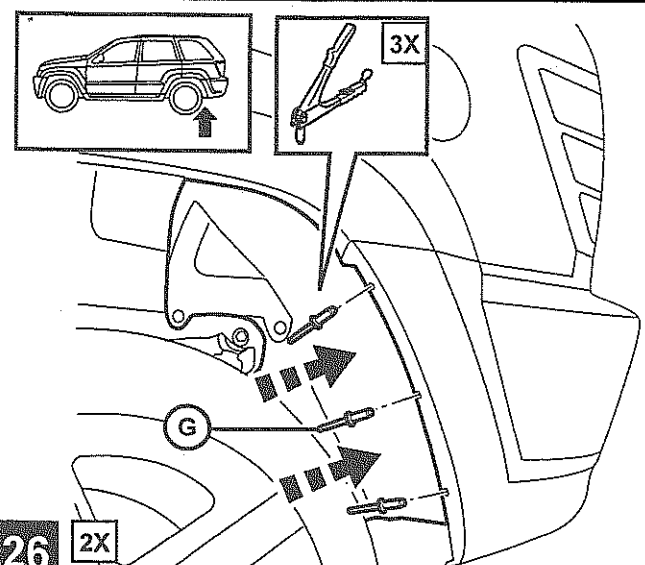
23 2X



24 2X



25 2X



26 2X