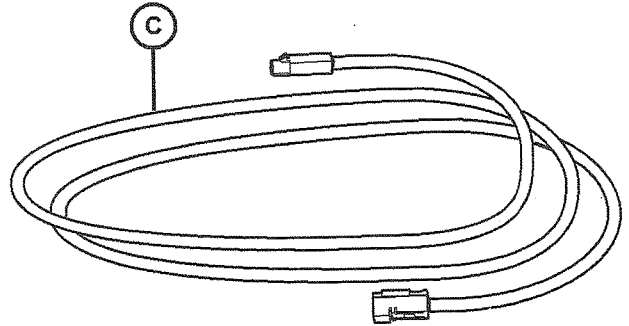
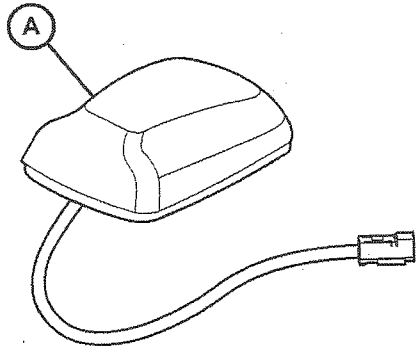


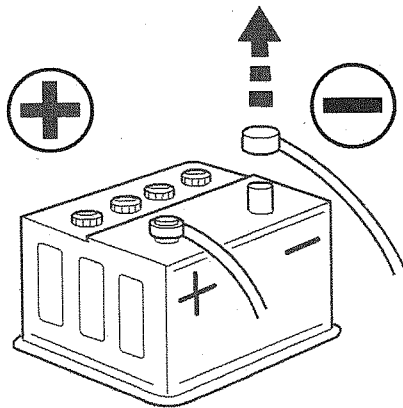
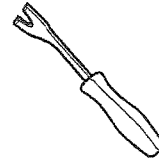
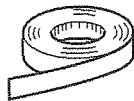
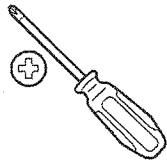
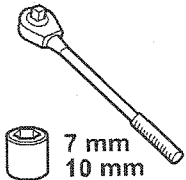


# JEEP WRANGLER

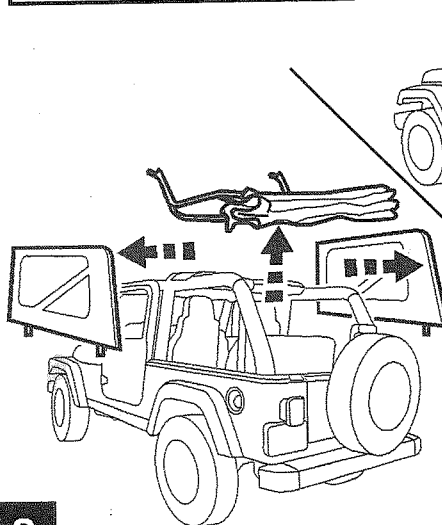
## Satellite Radio Antenna



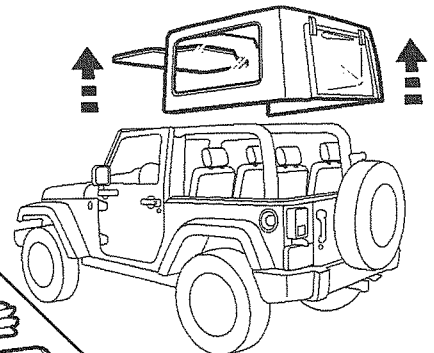
NOTE: PLEASE VERIFY THAT THE RADIO IS SATELLITE COMPATIBLE. LOOK FOR THE SIRIUS LOGO ON THE RADIO.

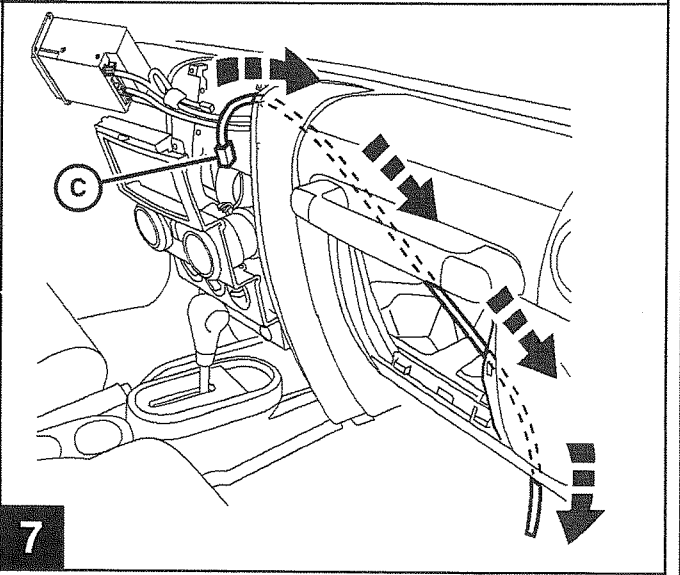
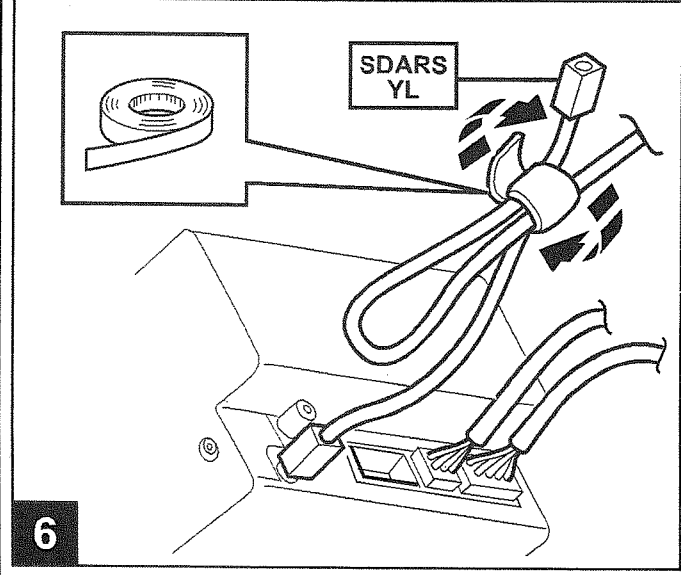
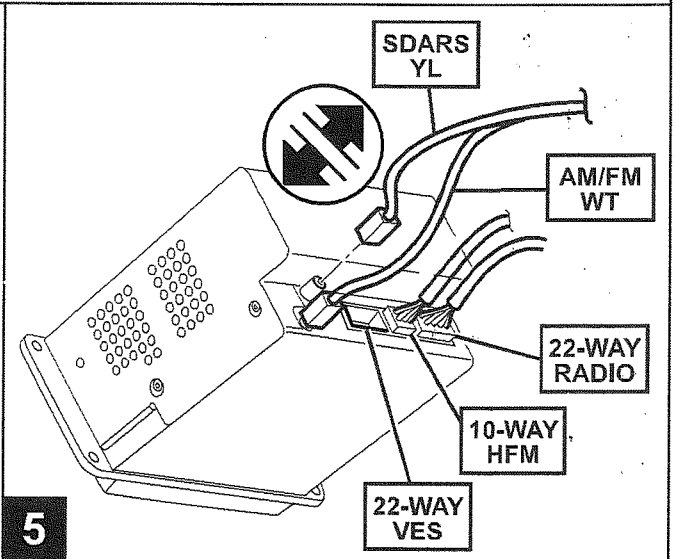
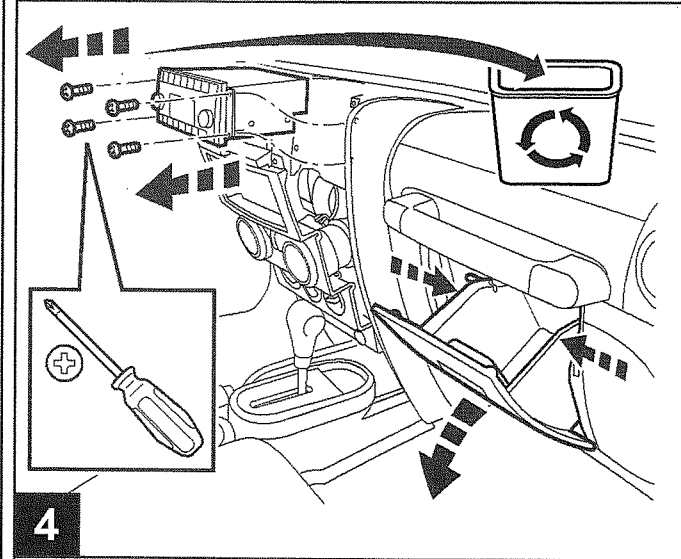
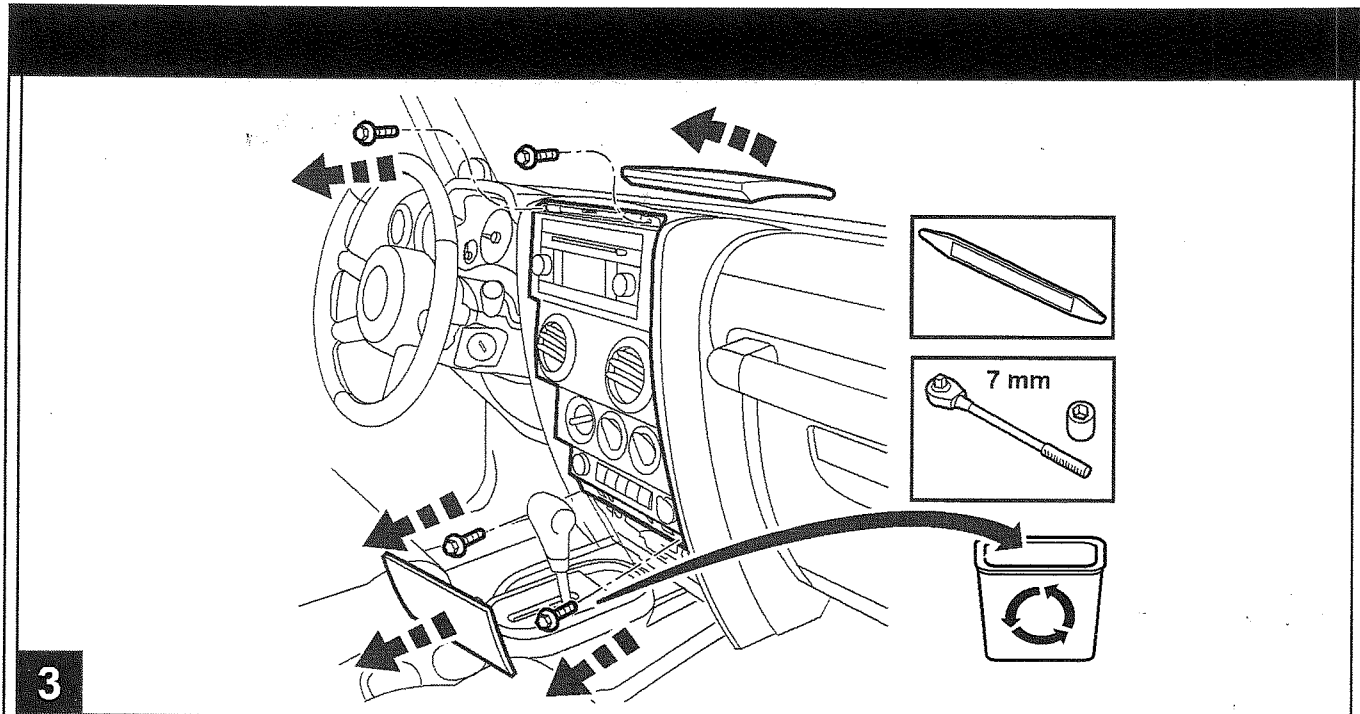


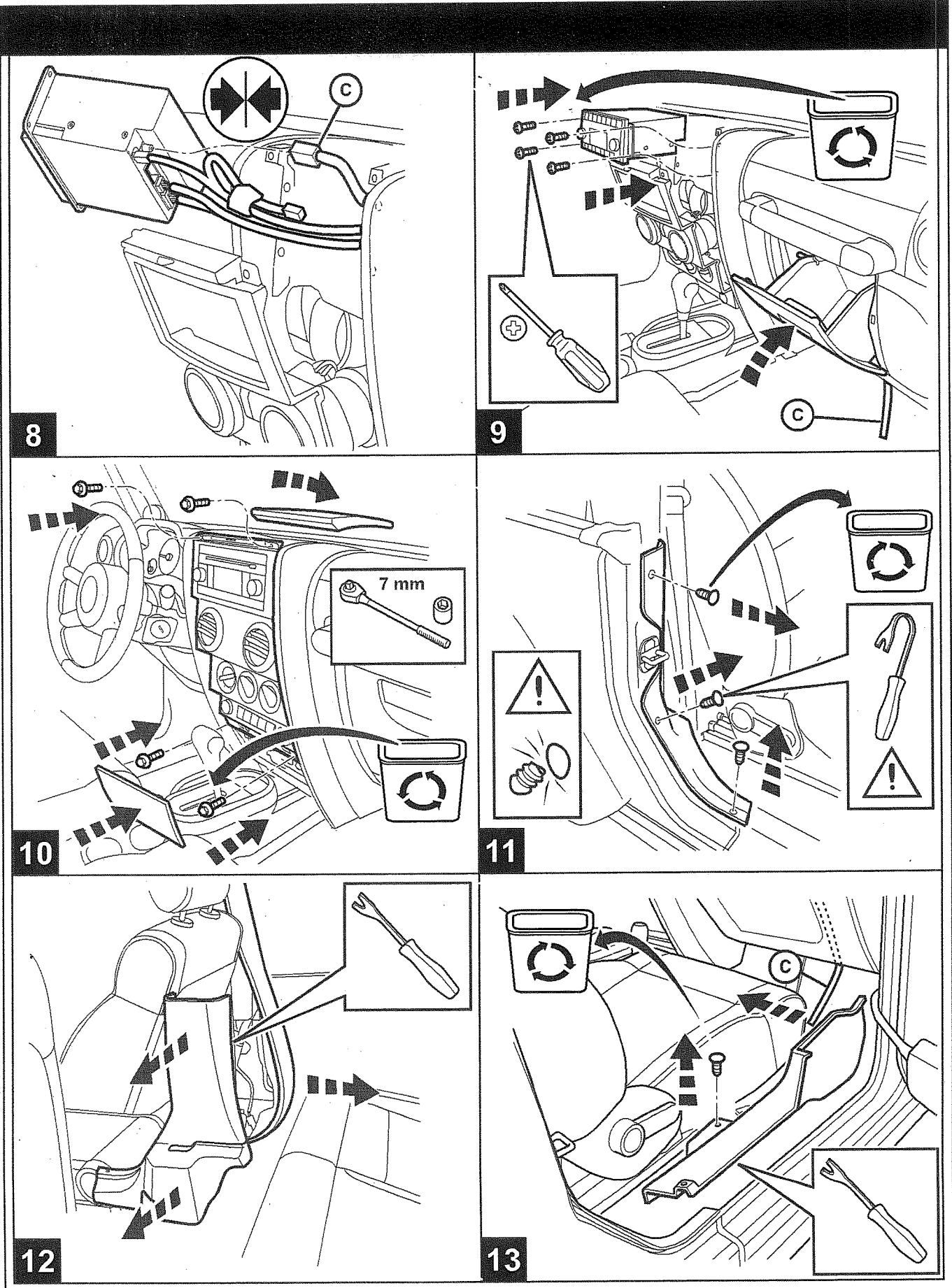
1

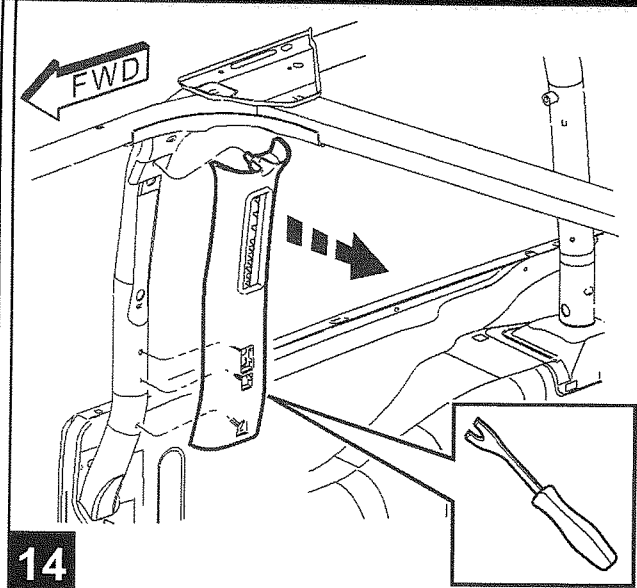


2

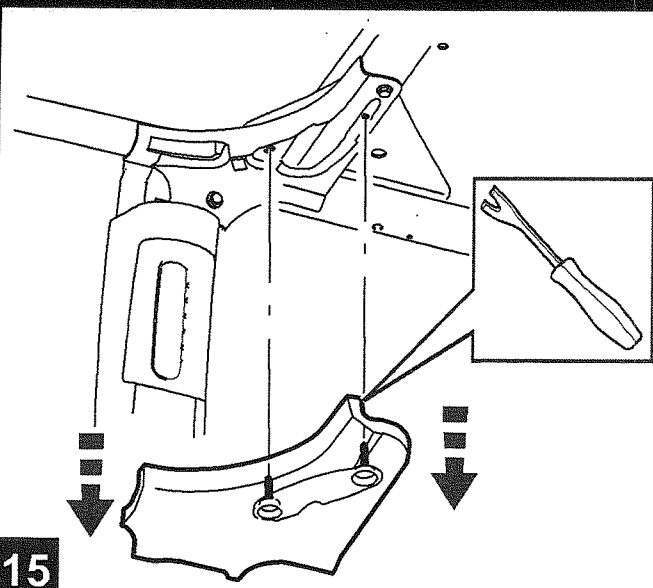




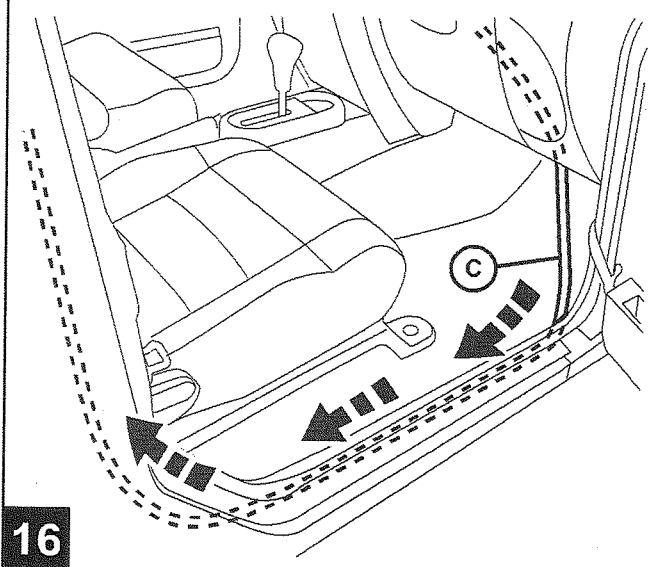




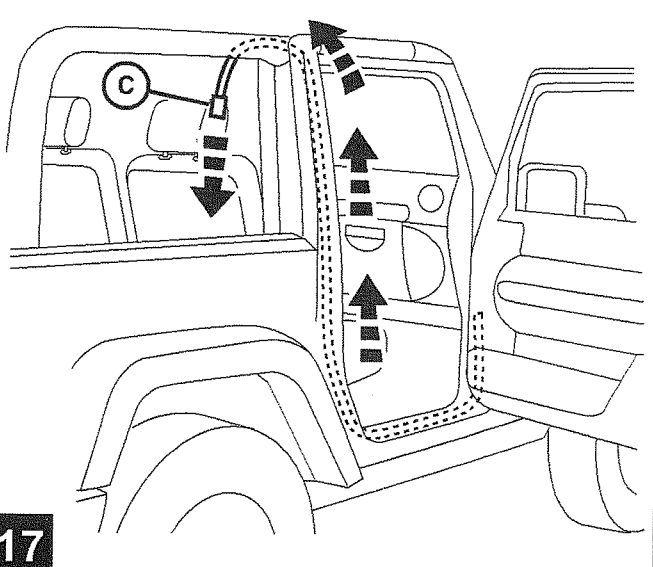
14



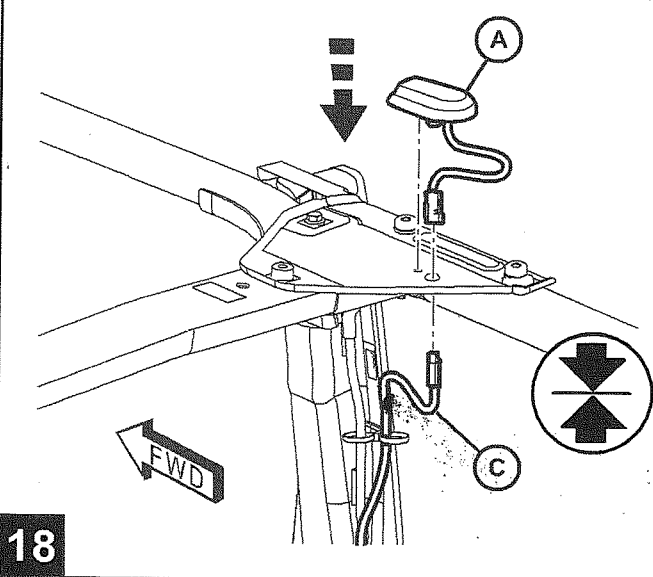
15



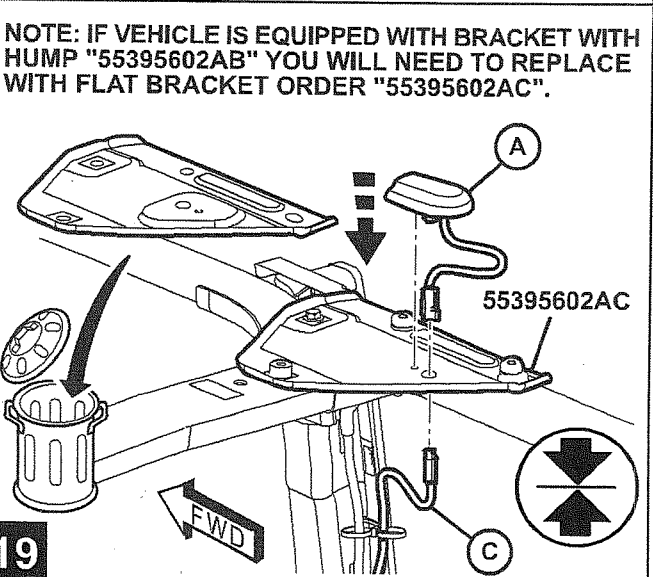
16



17



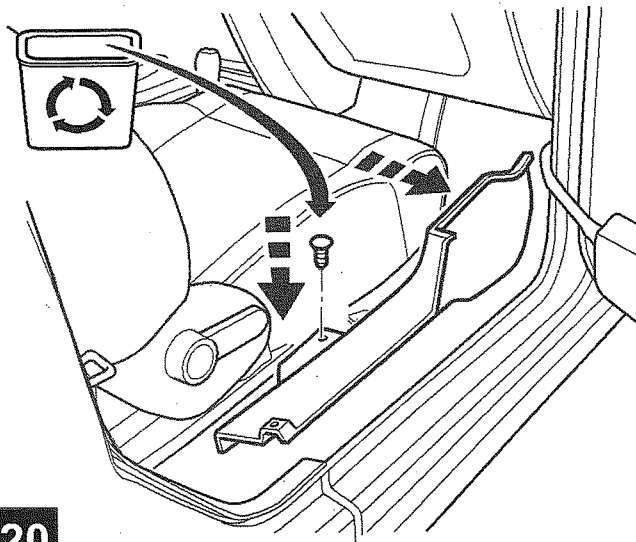
18



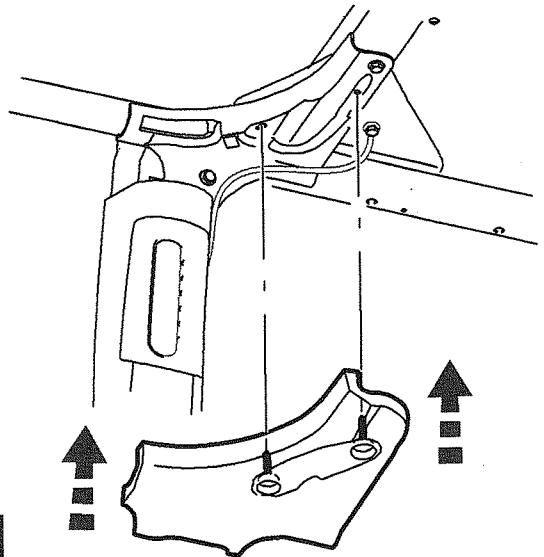
19

**NOTE: IF VEHICLE IS EQUIPPED WITH BRACKET WITH HUMP "55395602AB" YOU WILL NEED TO REPLACE WITH FLAT BRACKET ORDER "55395602AC".**

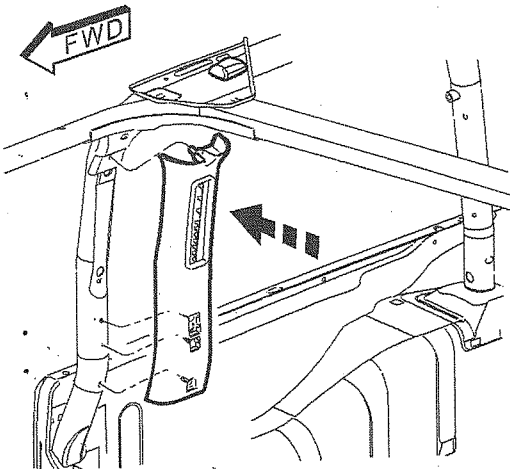
55395602AC



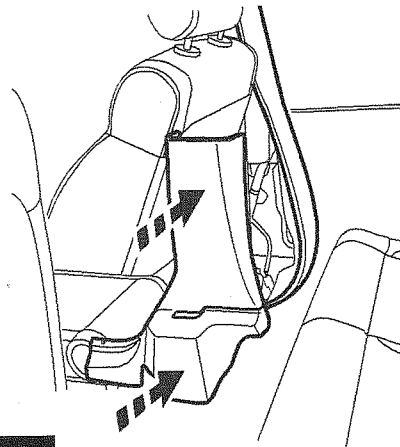
20



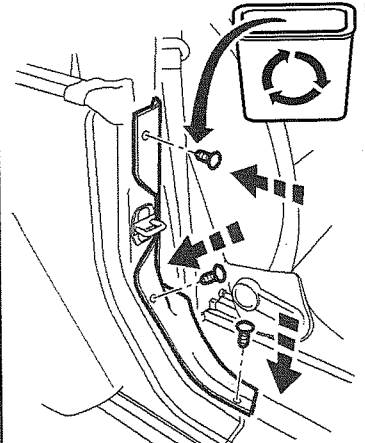
21



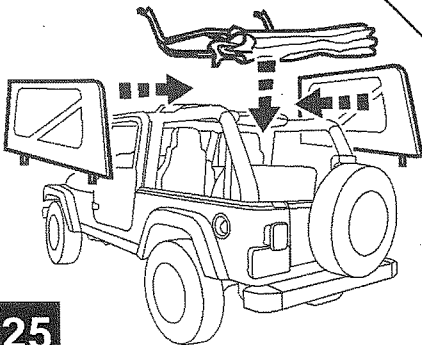
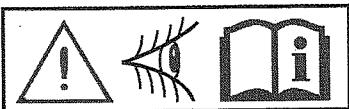
22



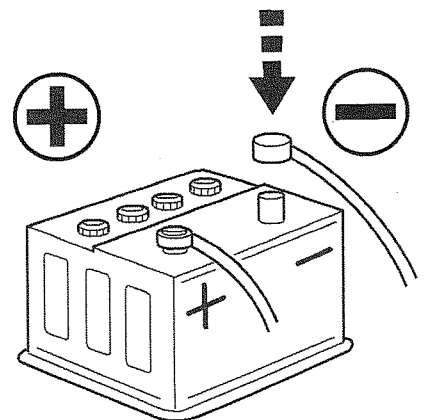
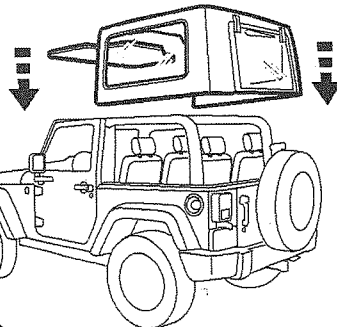
23



24



25



26

Reconfigure the Front Control Module (FCM) by use of the STARSCAN diagnostic tool.

## FCM Reconfiguration Procedure

*IN THE INITIAL START UP SCREEN*

- PRESS -----
- TOGGLE DOWN AND HIGHLIGHT -----
- PRESS -----
- PRESS -----
- TOGGLE DOWN AND HIGHLIGHT -----
- PRESS -----

*FOLLOW ON SCREEN PROMPTS  
(I.E. CYCLE IGNITION KEY)*

- PRESS -----
- PRESS -----

**27**

- Drive vehicle outside to allow for a clear satellite signal to the antenna.



**28**