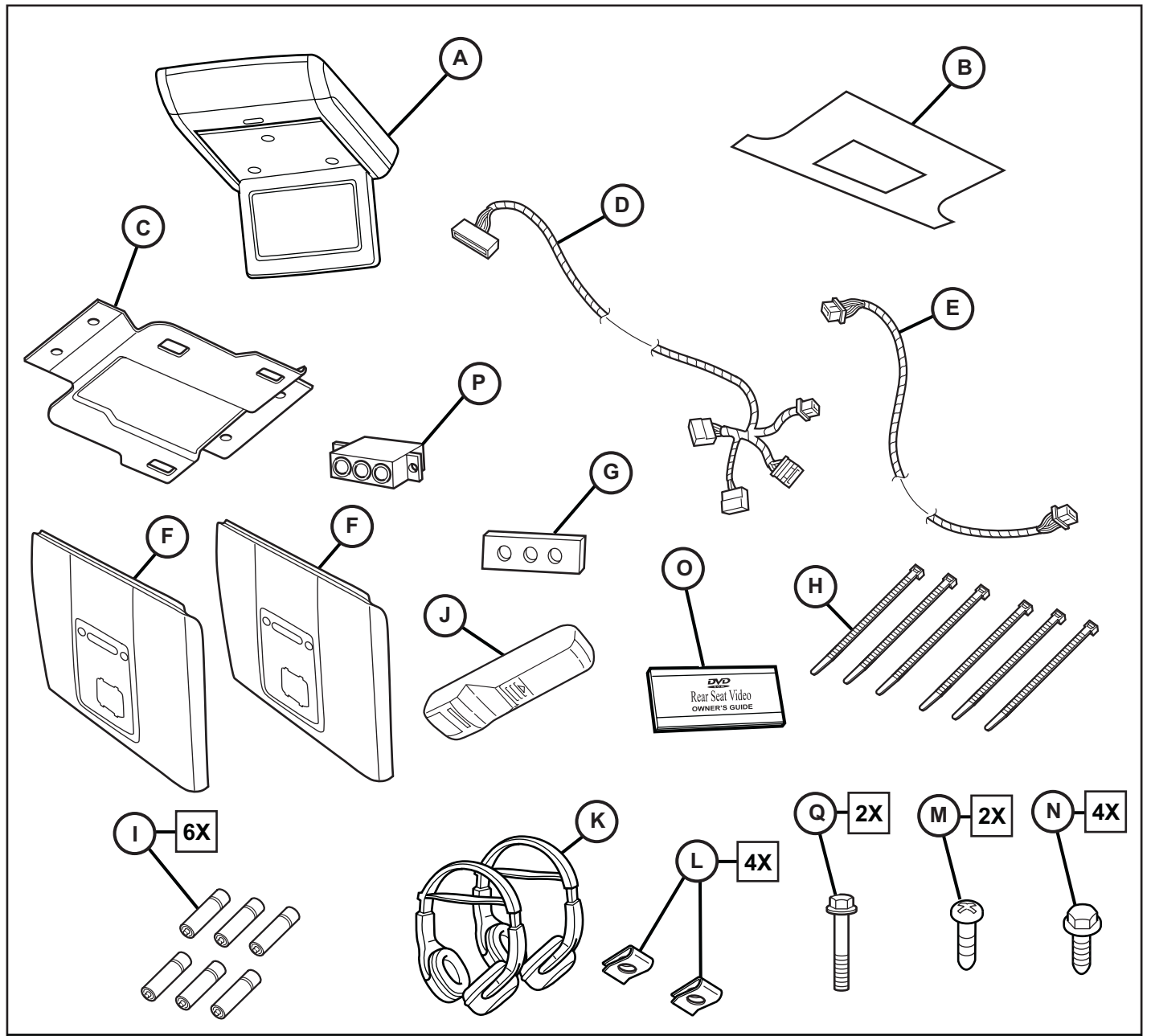


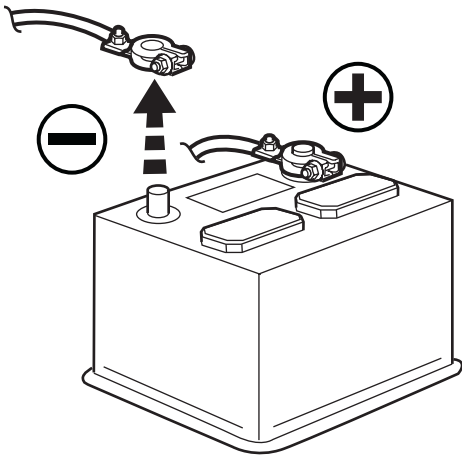


JEEP COMMANDER

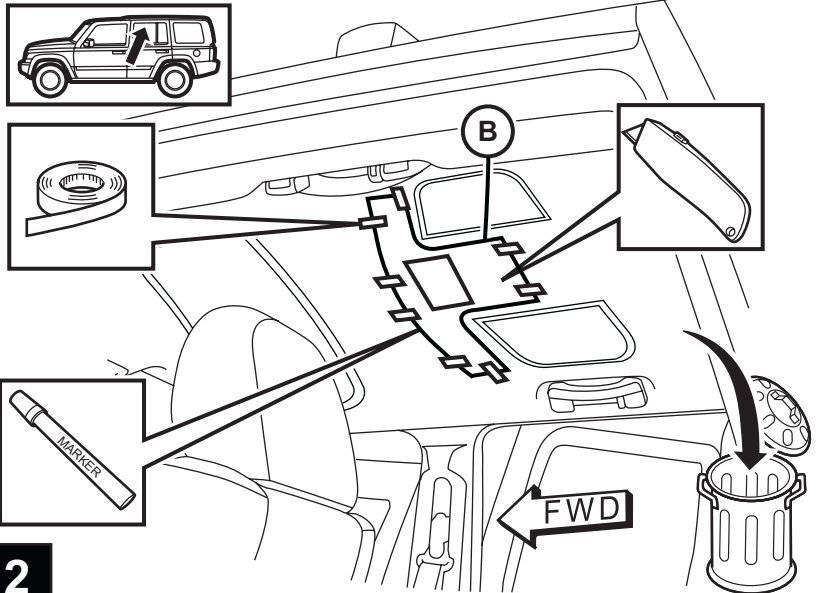
Rear Entertainment System



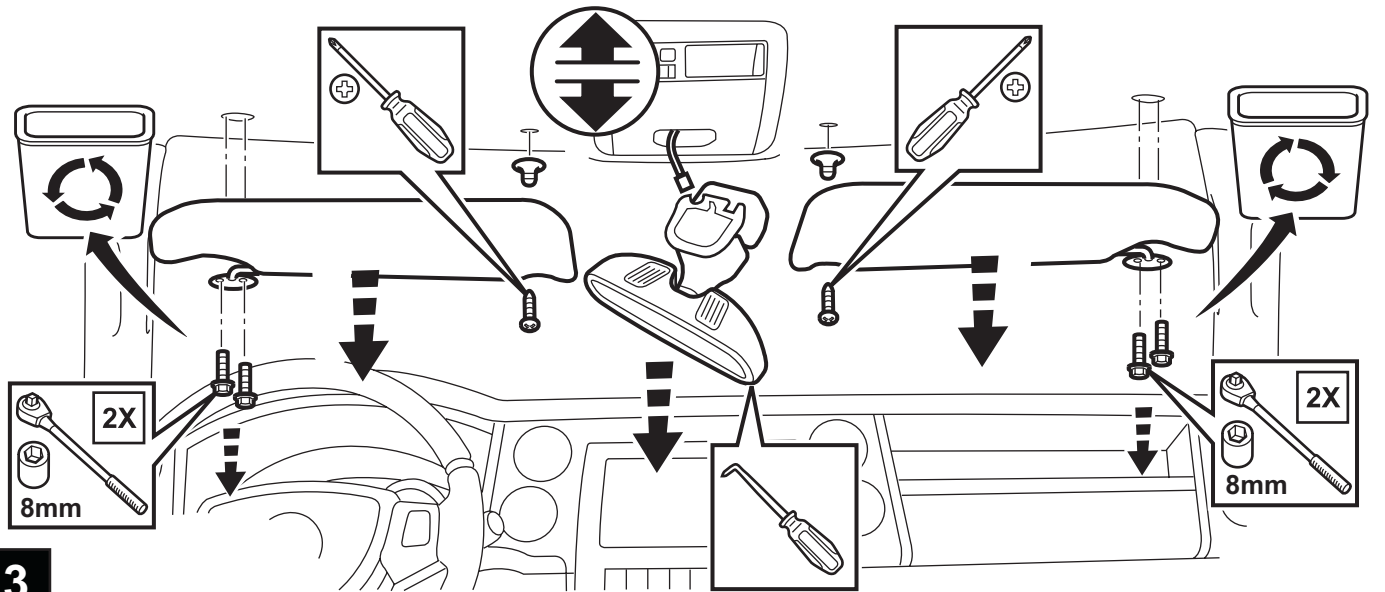
				 T-15 T-20 T-25	 6 mm 8 mm 10 mm



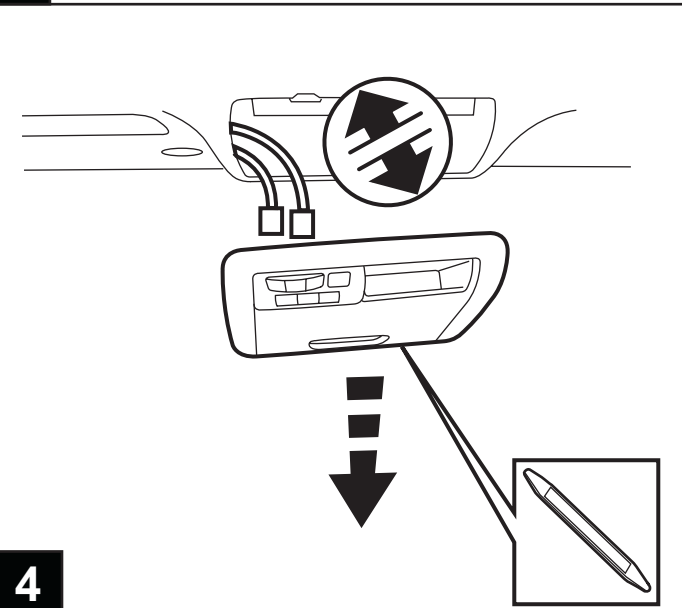
1



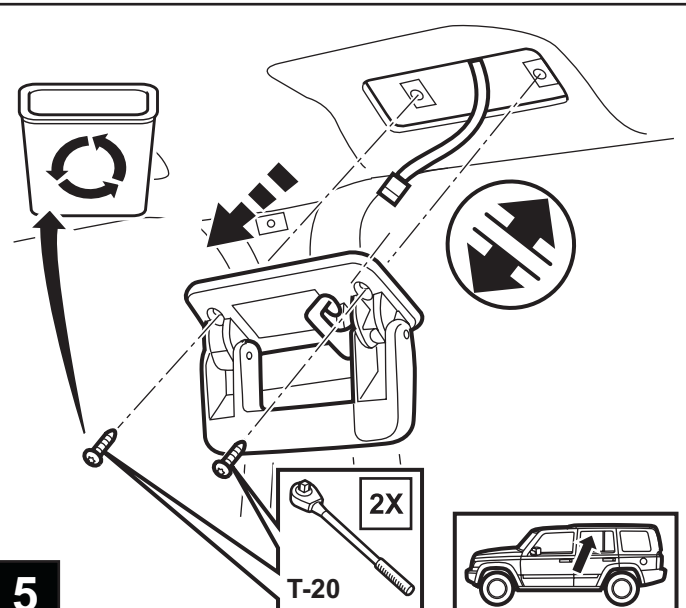
2



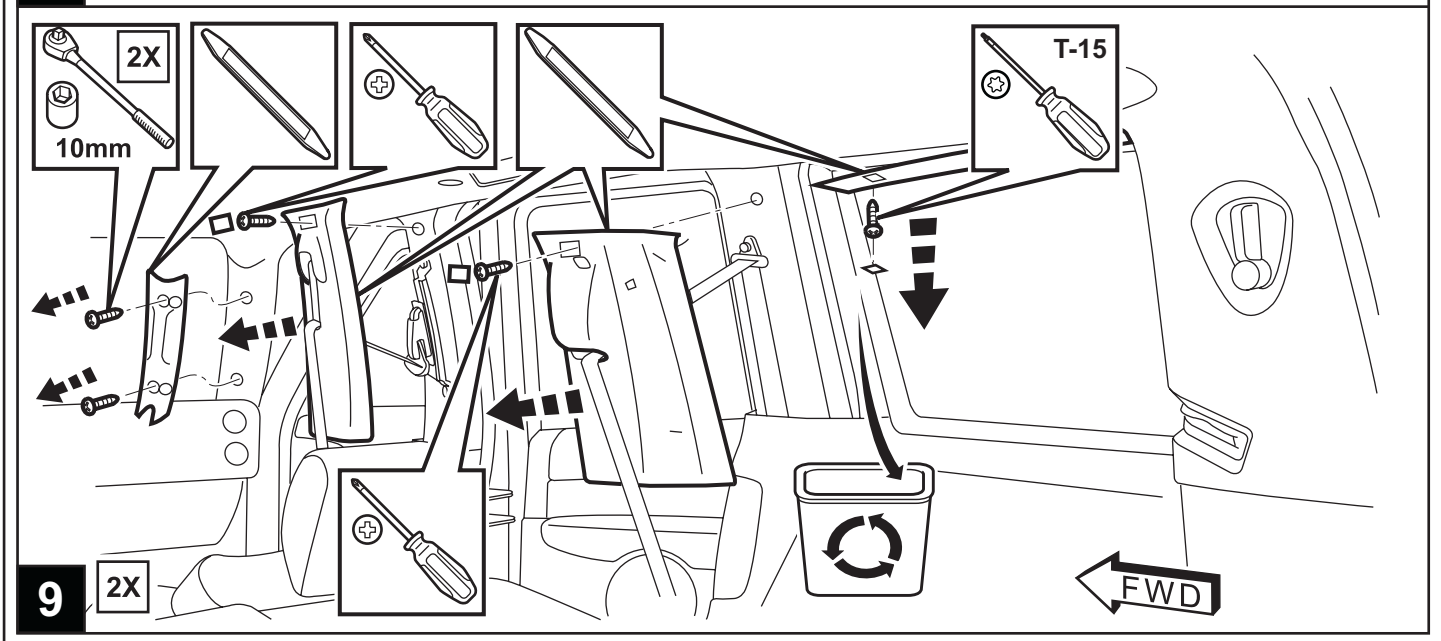
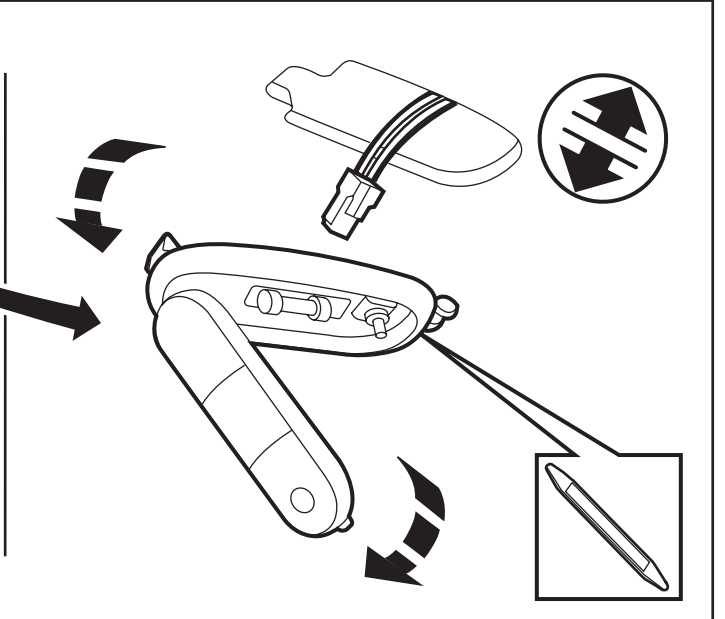
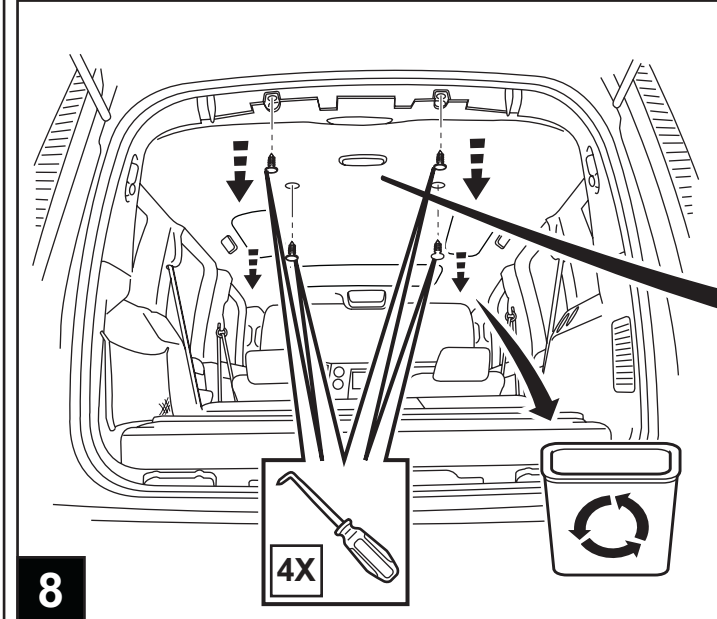
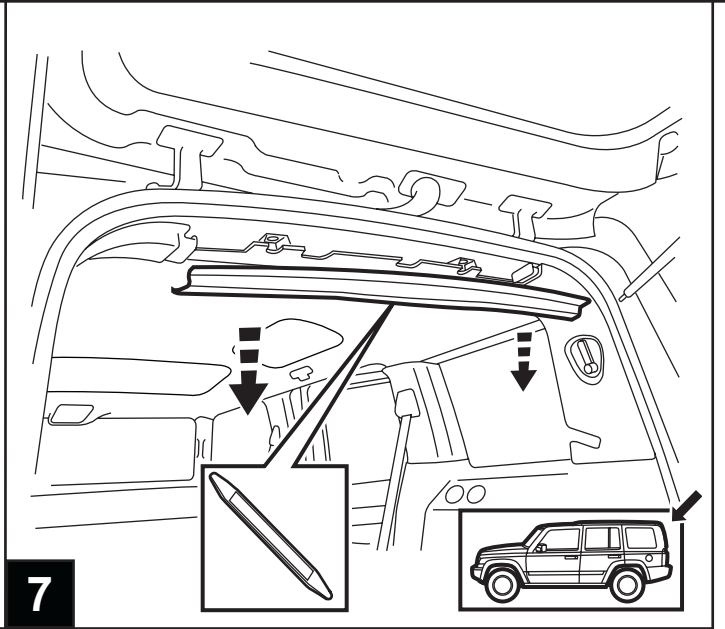
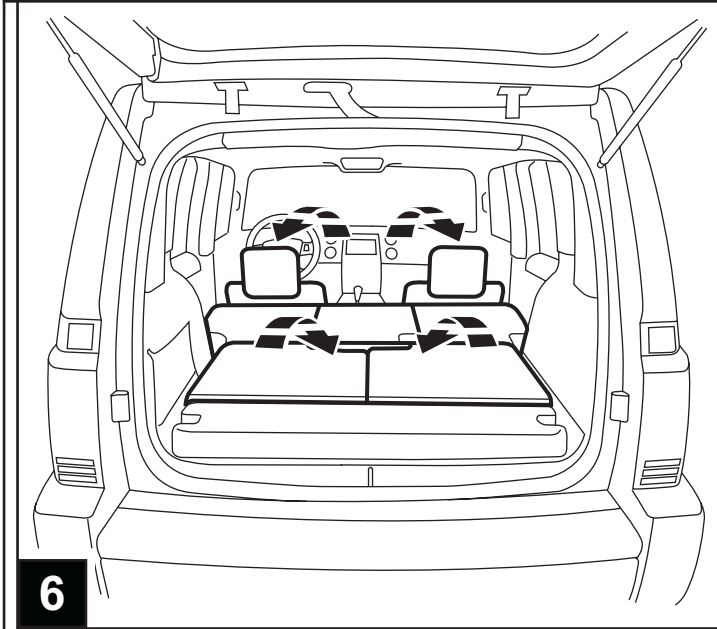
3

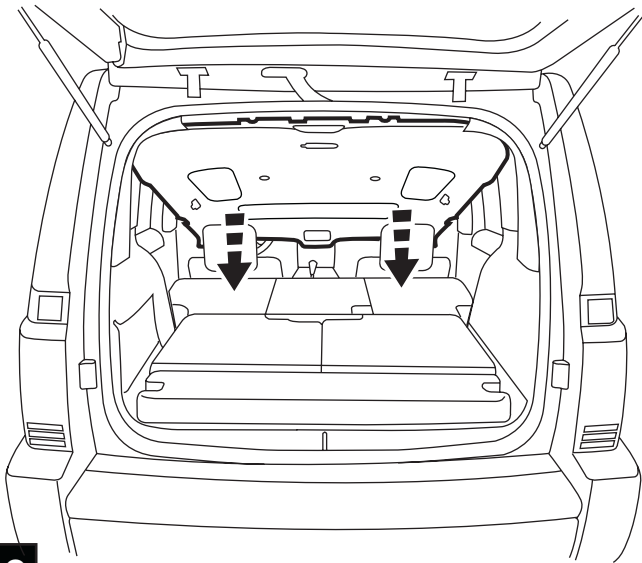


4

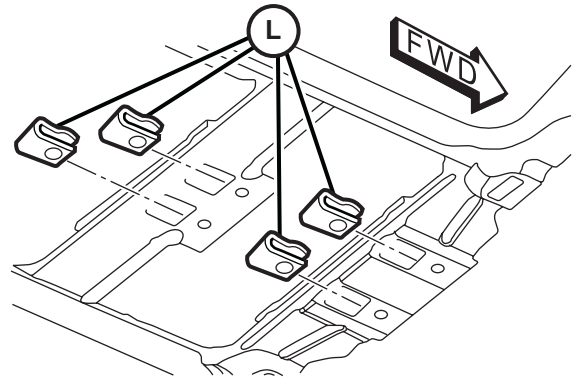


5

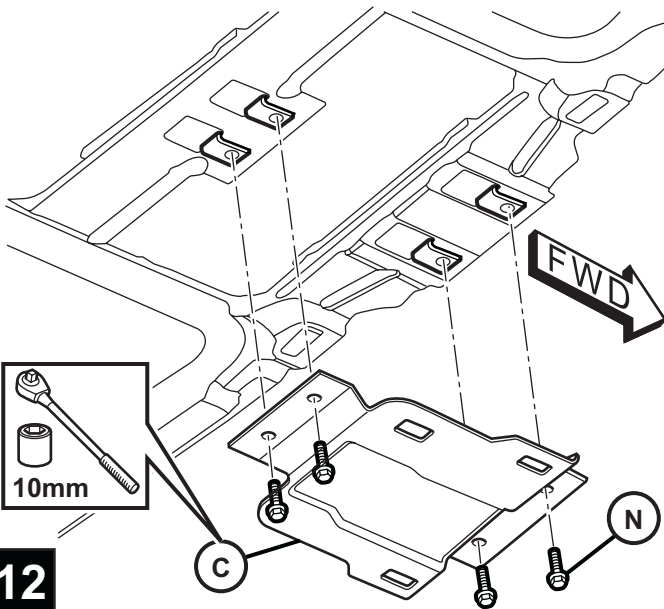




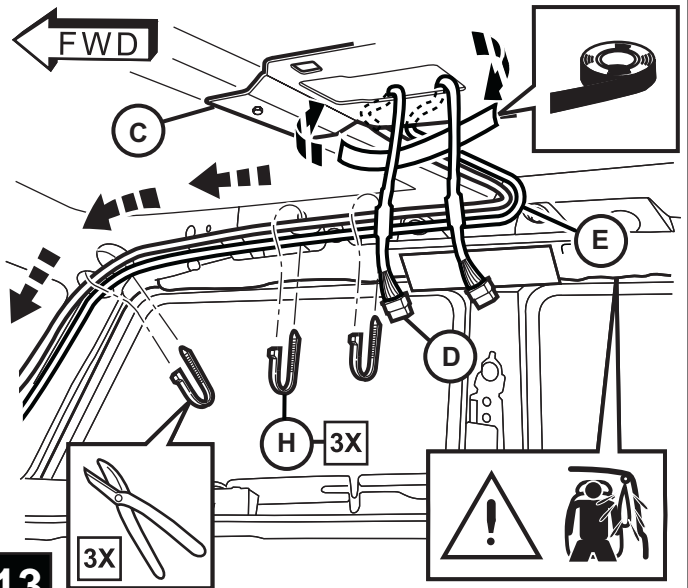
10



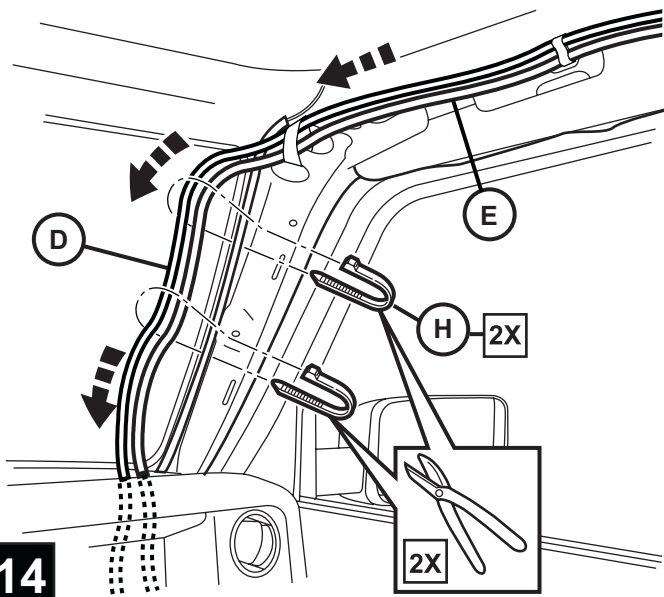
11



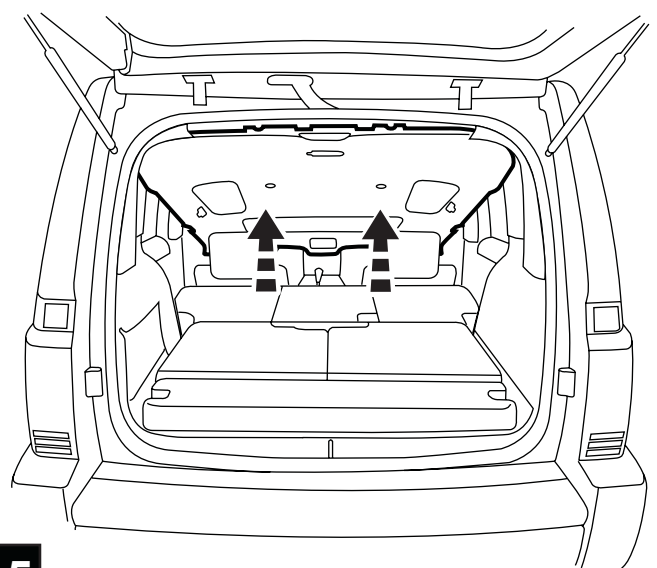
12



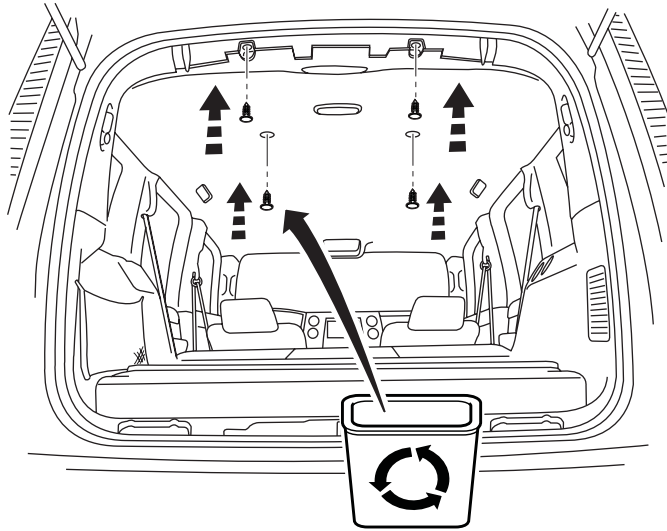
13



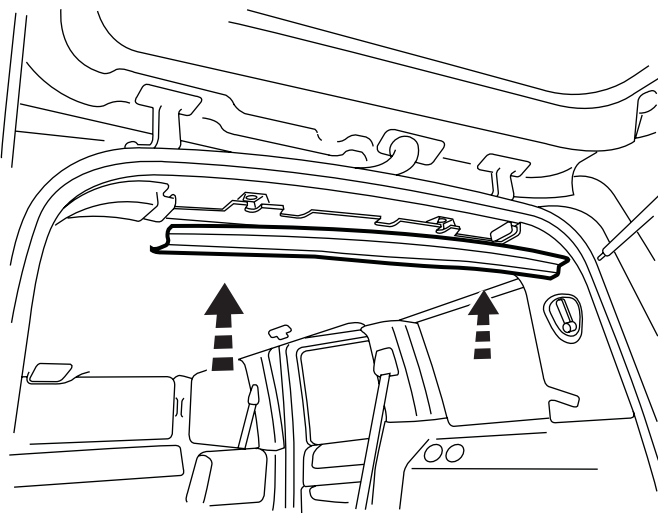
14



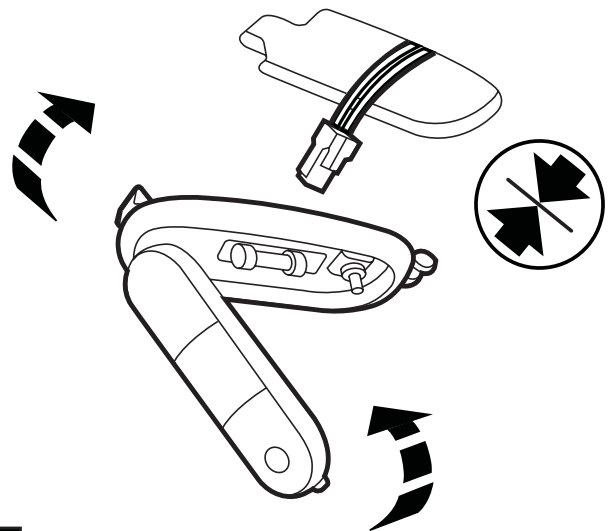
15



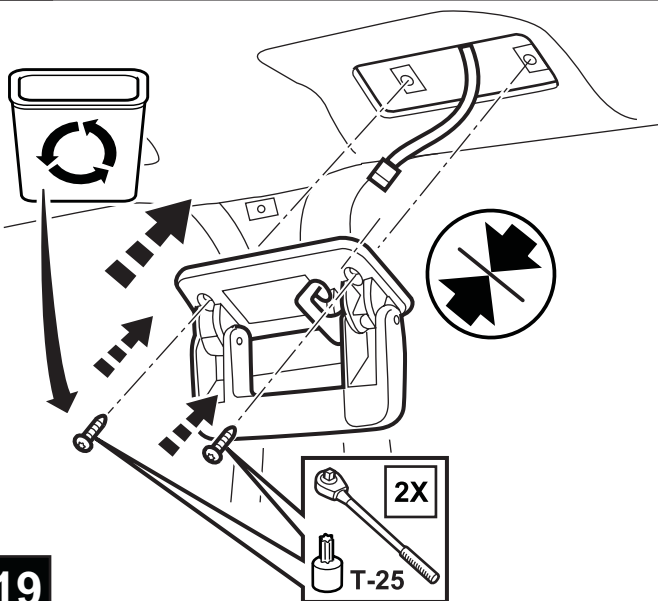
16



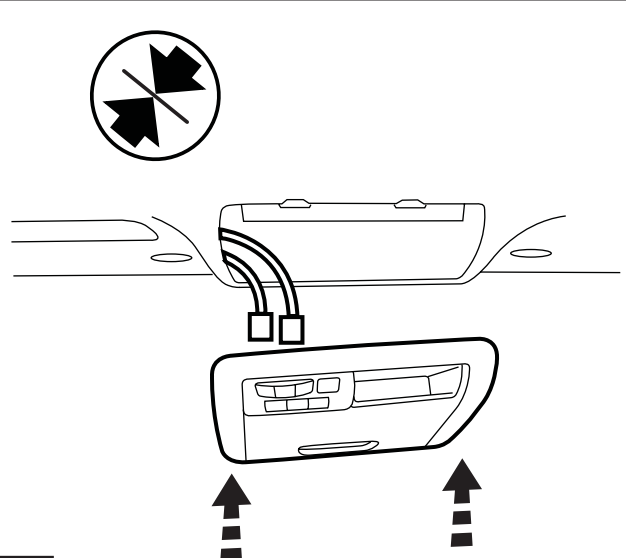
17



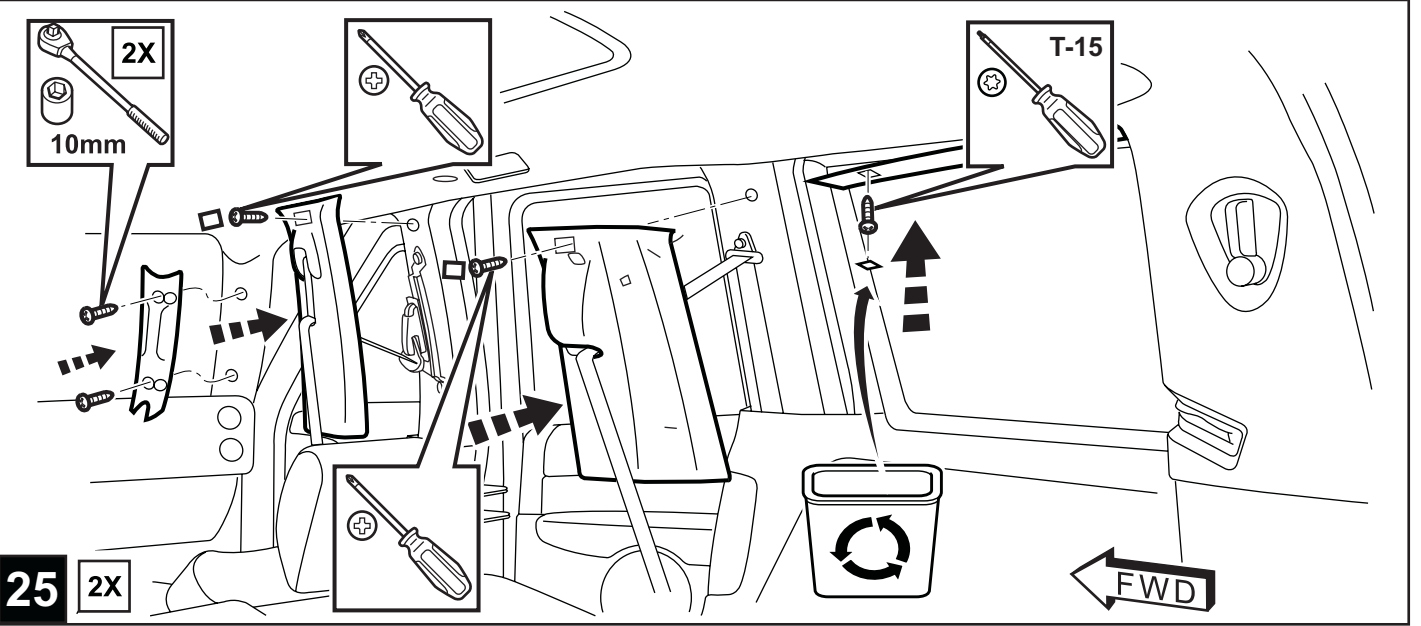
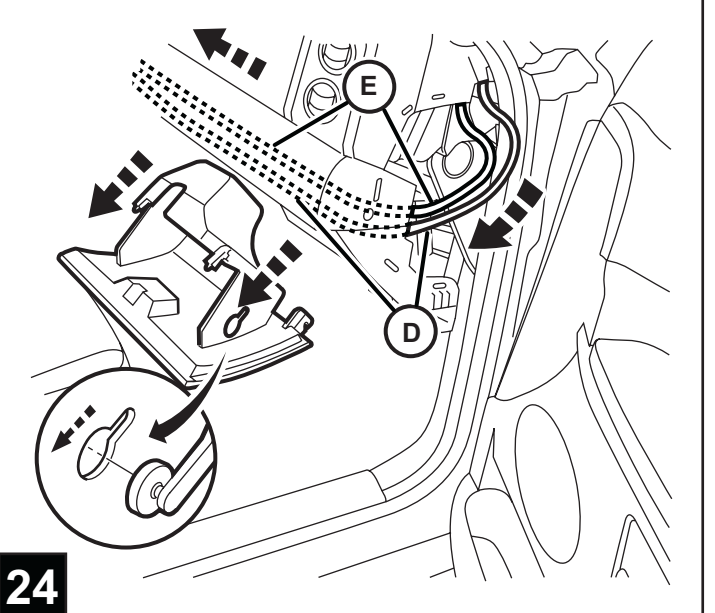
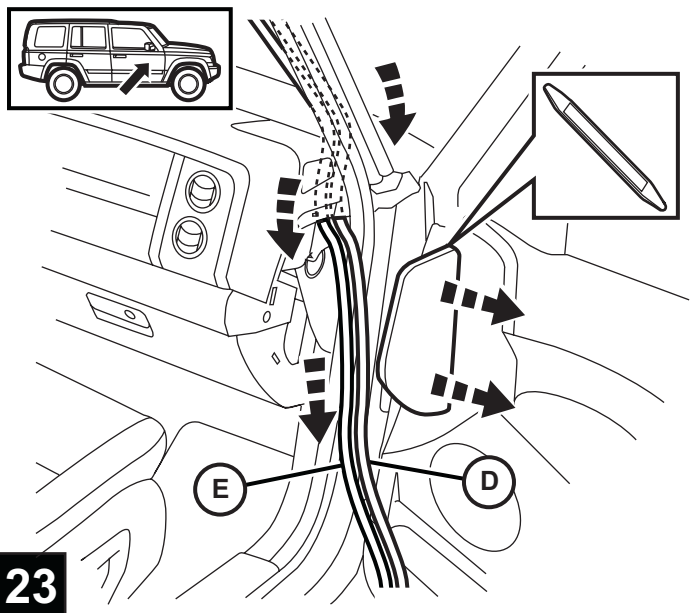
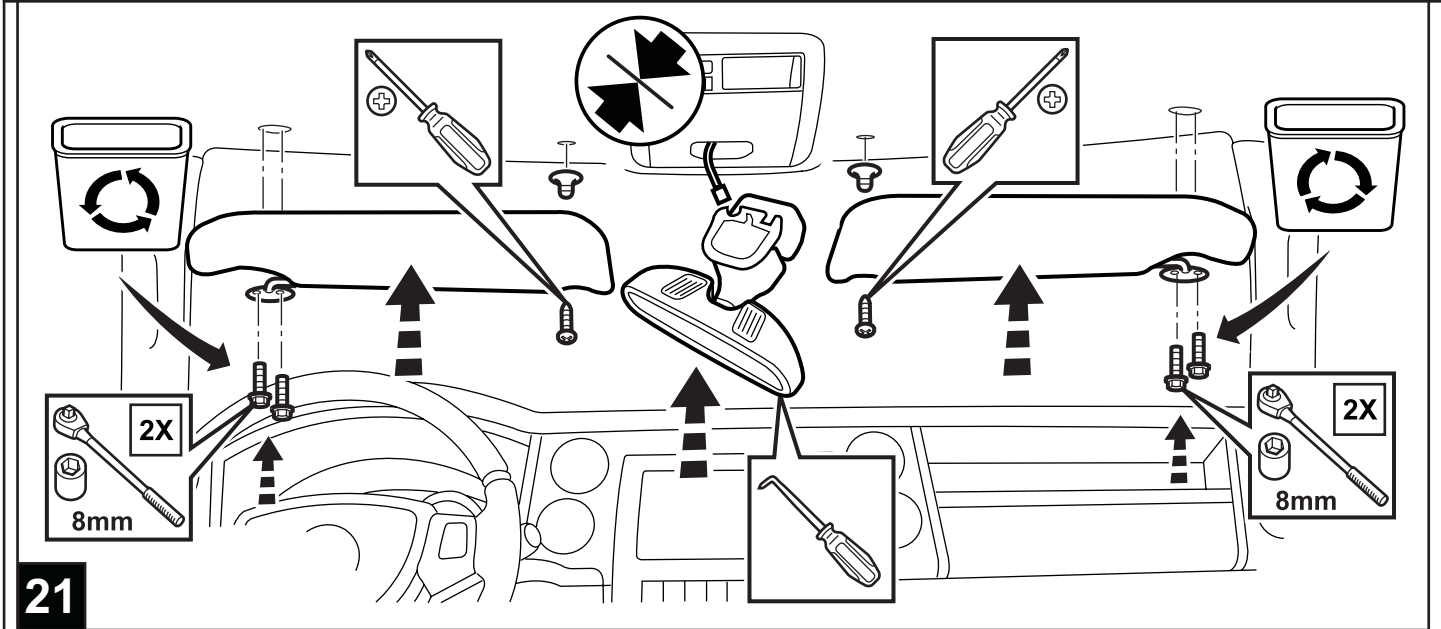
18

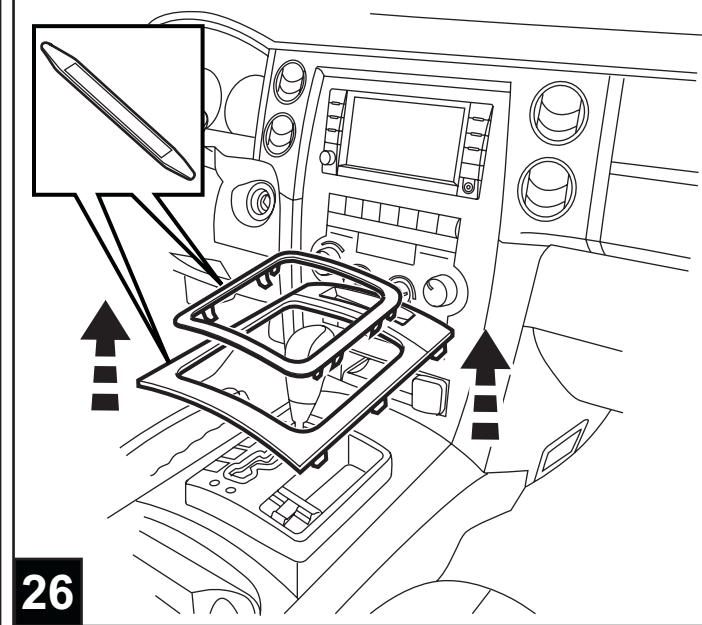


19

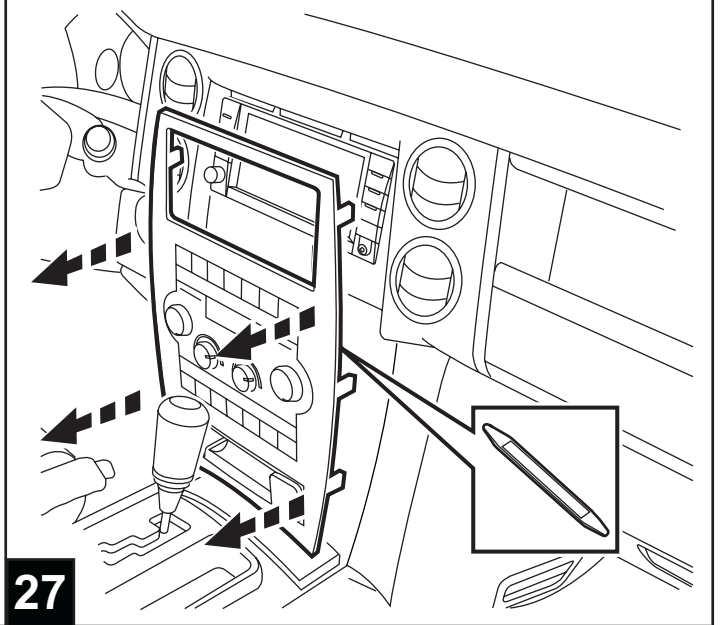


20

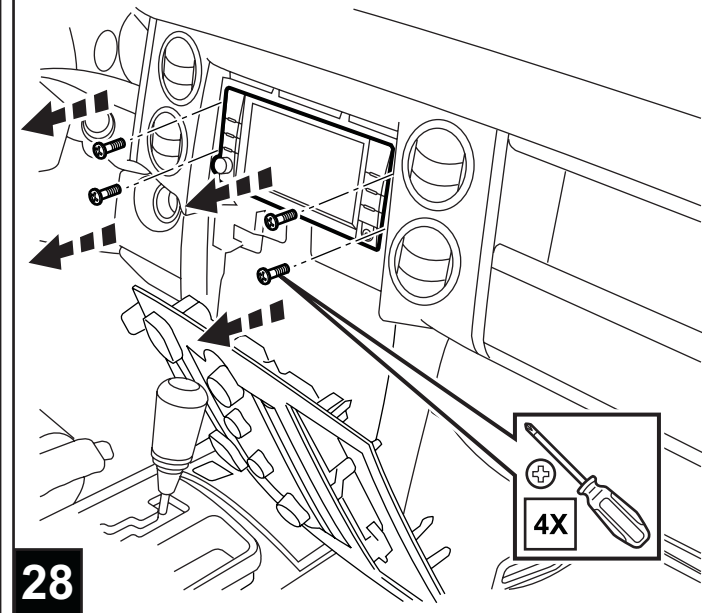




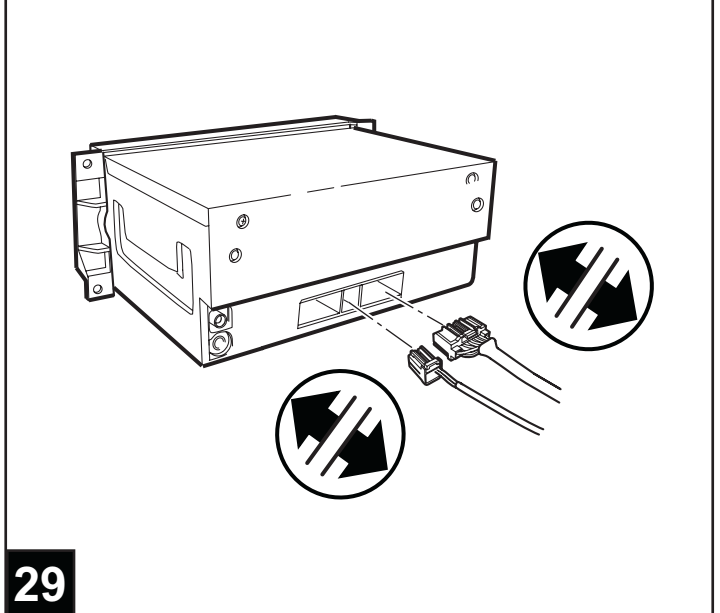
26



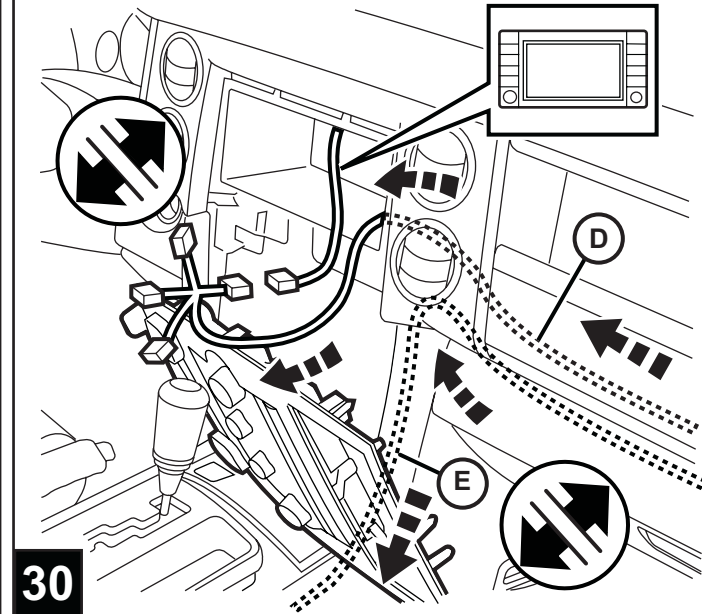
27



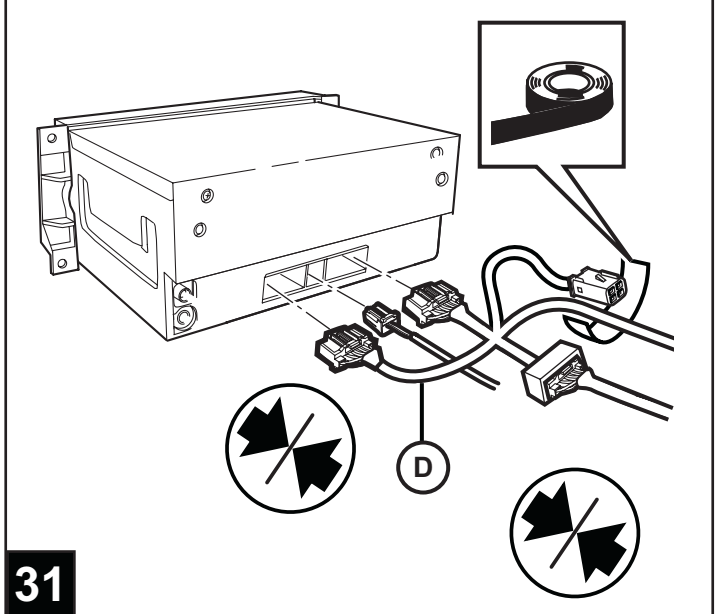
28



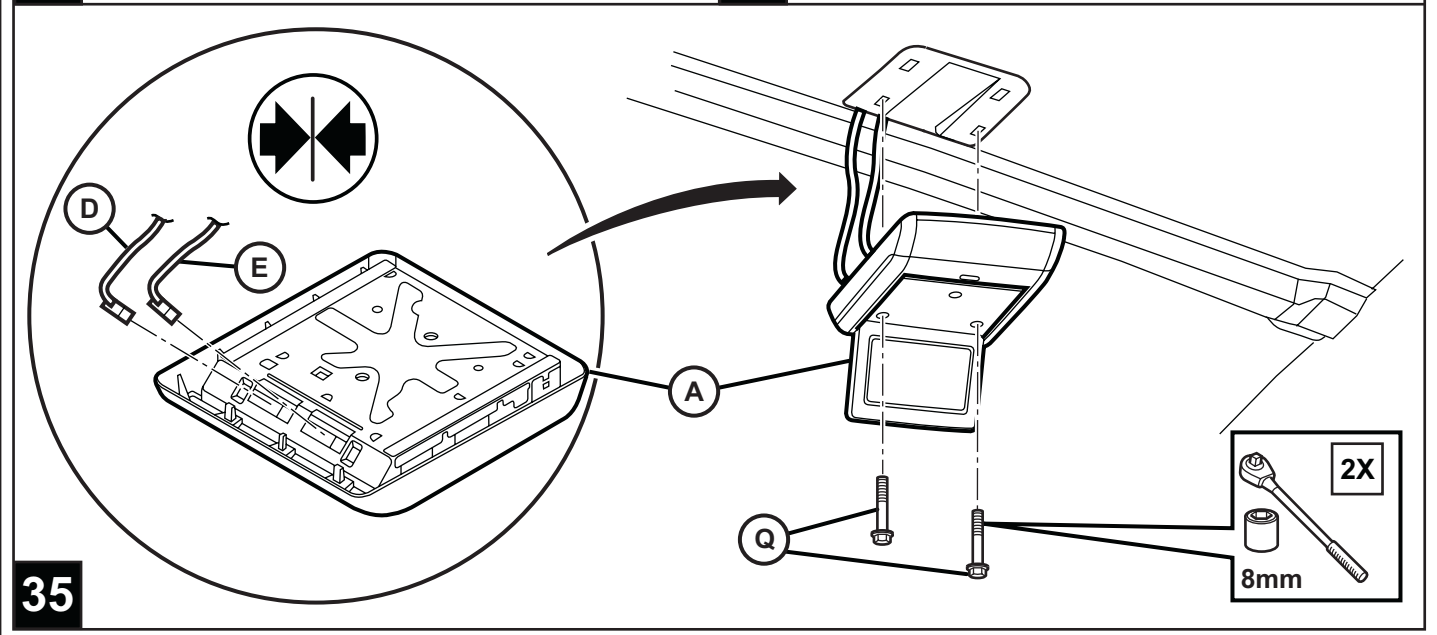
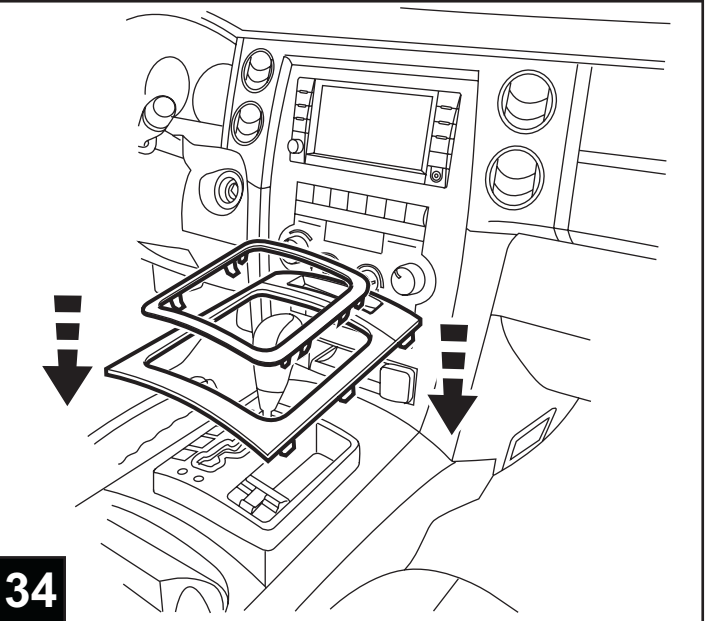
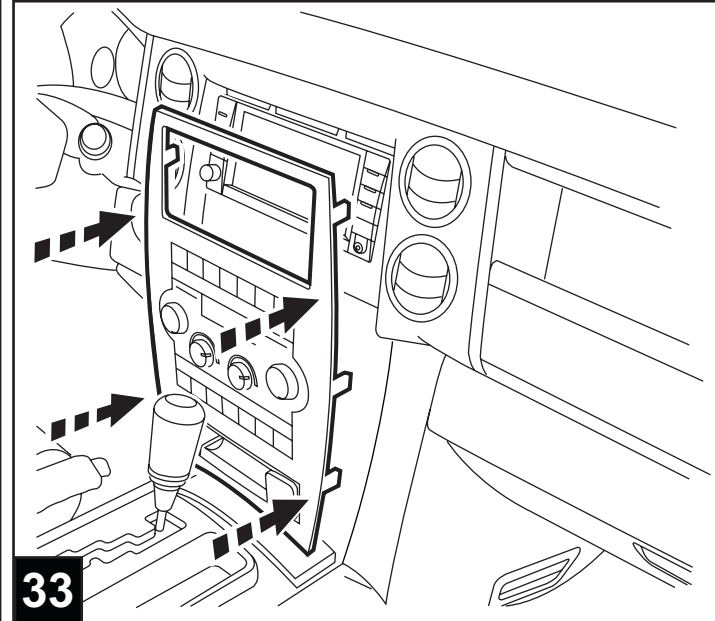
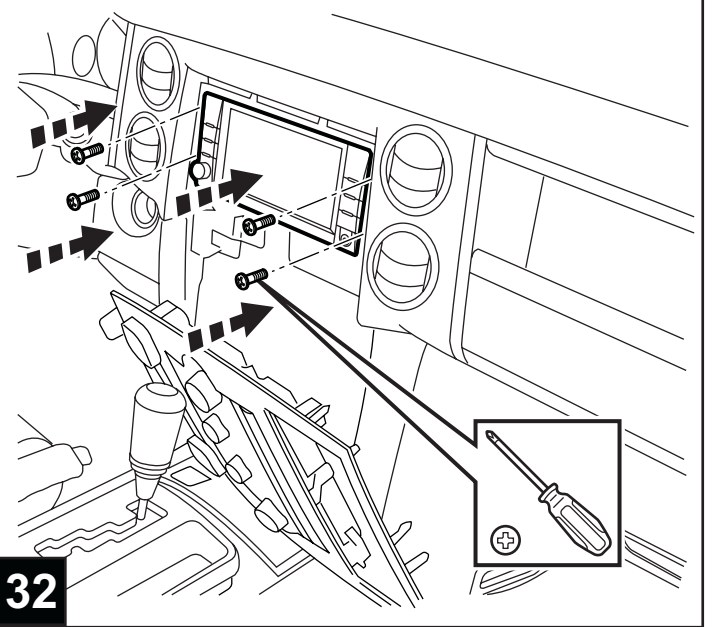
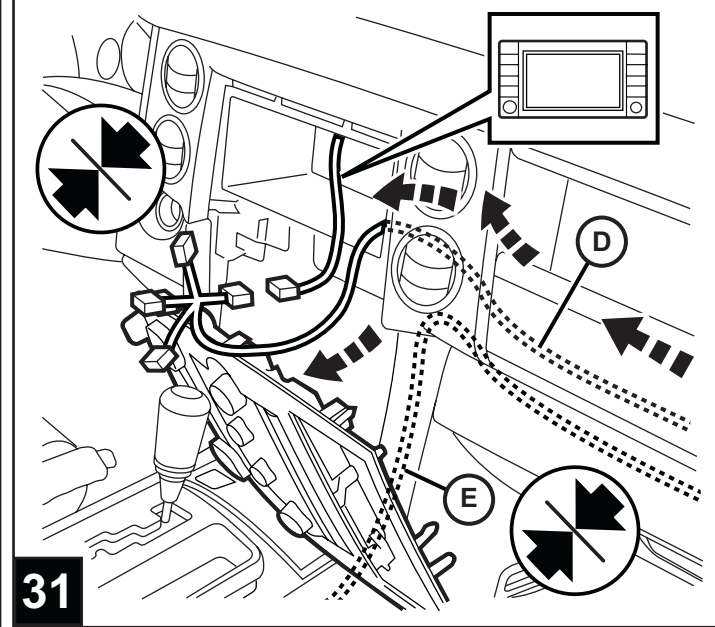
29

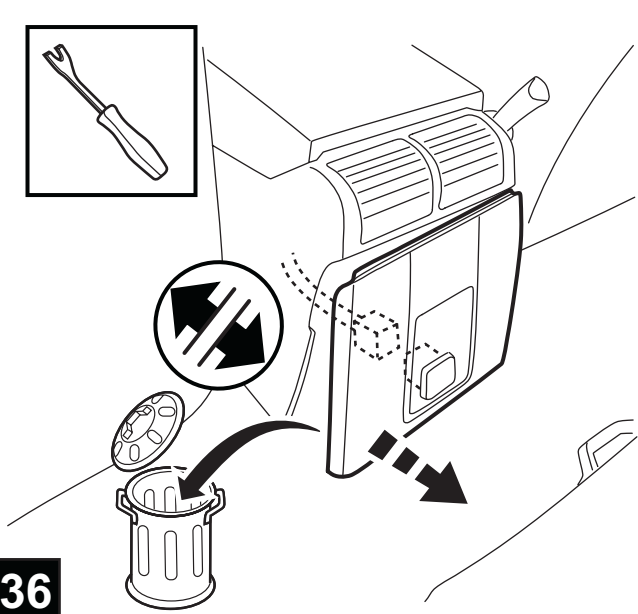
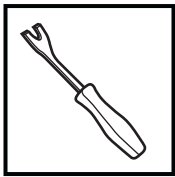


30

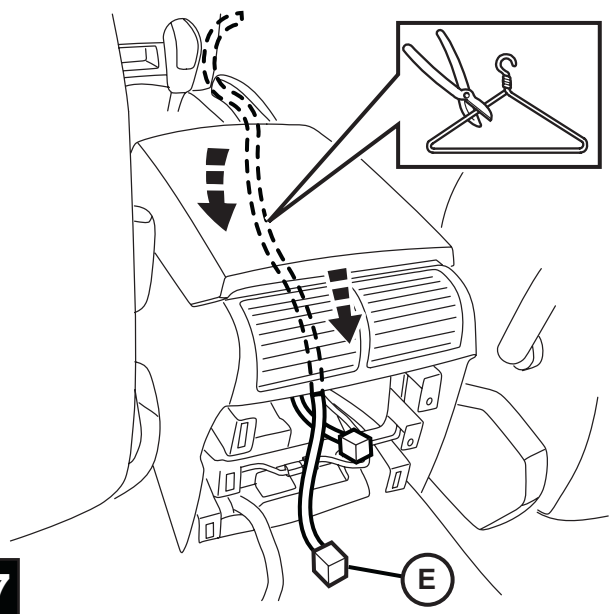
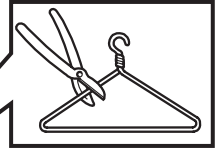


31

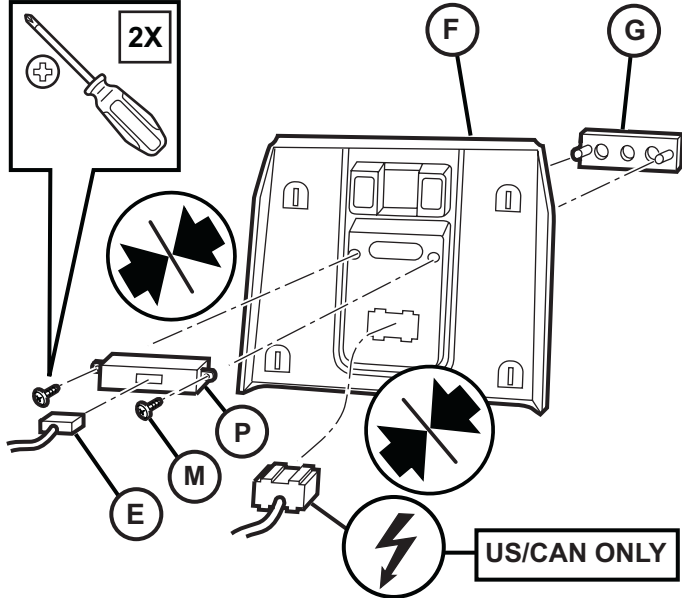
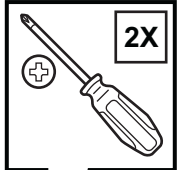




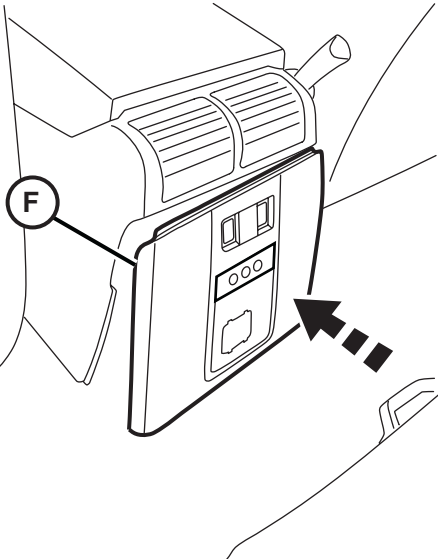
36



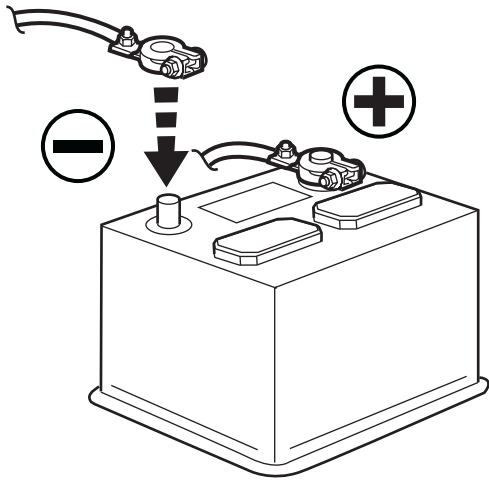
37



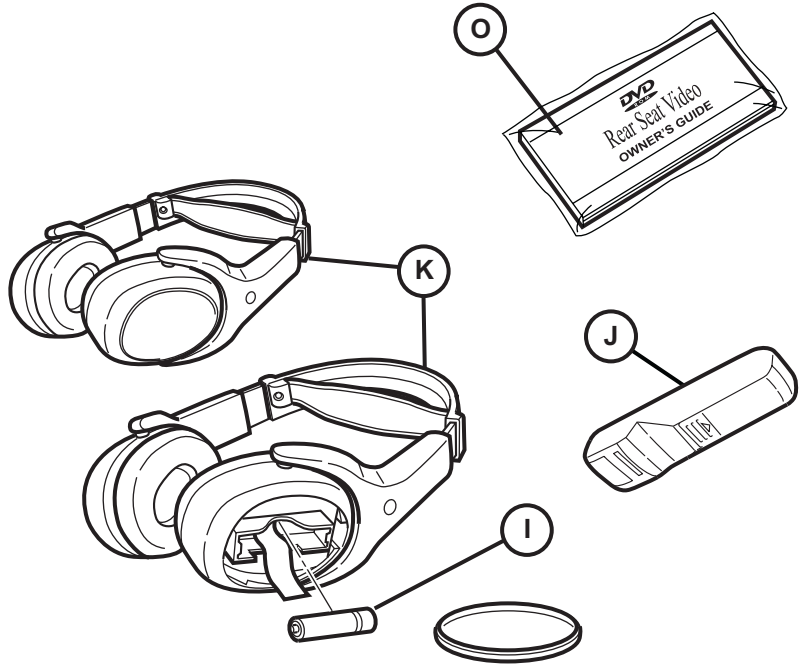
38



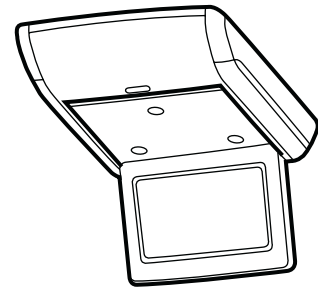
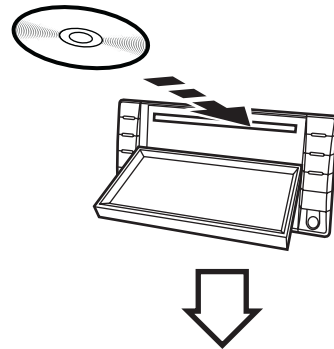
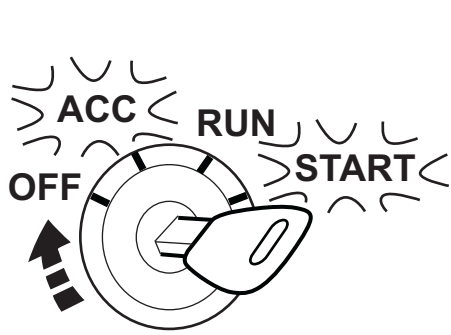
39



40



41



42

Vehicle Vin must be updated with the sales code of the added accessory in order to enable system functionality. Using the DealerCONNECT website and a StarSCAN diagnostic tool, complete the procedure below:

- Log on to <https://dealerconnect.chrysler.com>
- In the “Vehicle Option” screen under the “Global Claims System” category in the “Service” tab, enter vehicle VIN and add sales code(s) noted below as a “Dealer Installed Option”.

XR (Rear Seat Video System)

- Confirm that the new sales code has been successfully added to the VIN.
- With the StarSCAN diagnostic tool **connected to both the internet** (or wireless connection) **and the vehicle**, follow the steps below:

IN THE INITIAL START UP SCREEN

- PRESS----- **VEHICLE PREPARATION**
- TOGGLE DOWN AND HIGHLIGHT---- **RESTORE VEHICLE CONFIGURATION**
- PRESS----- **START**
- PRESS----- **NEXT>**
- IF NECESSARY, SELECT PROPER VEHICLE LINE AND MODEL YEAR AND PRESS--- **NEXT>**
- CONFIRM CORRECT SELECTION AND PRESS--- **NEXT>**
- ENTER VEHICLE VIN USING ON -SCREEN KEYBOARD OR CONFIRM THAT AUTO-FILLED VIN PLATE AND PRESS----- **NEXT>**
- PRESS----- **OK**
- ENTER USER ID, PASSWORD AND DEALER CODE USING ON-SCREEN KEYBOARD AND PRESS----- **OK**
- WAIT FOR VEHICLE CONFIGURATON DATA TO BE DOWNLOADED AND THEN PRESS-- **NEXT>**
- PRESS----- **NEXT>**
- CONFIRM THAT VEHICLE CONFIGURATION HAS BEEN PROGRAMMED SUCCESSFULLY
- NOTE ON-SCREEN INSTRUCTIONS AND PRESS----- **FINISH**

IN THE INITIAL START UP SCREEN

- PRESS----- **ECU VIEW**
- TOGGLE DOWN AND HIGHLIGHT---- **TIPMCGW CENTRAL GATEWAY**
- PRESS----- **MISC FUNCTIONS**
- TOGGLE DOWN, SELECT----- **DVD PLAYER / VIDEO SETTING**
- CONFIRM / CONFIGURE TO APPLICABLE LOCATION
- TOGGLE DOWN, SELECT----- **CHANGE COUNTRY CODE**
- CONFIRM / CONFIGURE TO CORRECT COUNTRY OF USE

VALIDATION PROCESS

IN THE INITIAL START UP SCREEN

- PRESS----- **ECU VIEW**
- TOGGLE DOWN AND HIGHLIGHT---- **TIPMCGW CENTRAL GATEWAY**
- PRESS----- **MORE OPTIONS**
- PRESS----- **ECU DETAILS**
- PRESS----- **CONFIG INFO**
- TOGGLE DOWN, VERIFY:

VES3-----SET
COUNTRY CODE----- (IS THE CORRECT COUNTRY CODE)
DVD REGION CODE----- (IS THE CORRECT REGION CODE. I.E. 1 FOR NORTH AMERICA)

IN THE INITIAL START UP SCREEN

- PRESS ----- **ECU VIEW**
- TOGGLE DOWN AND HIGHLIGHT ----- **RADIO**
- PRESS ----- **MORE OPTIONS**
- PRESS ----- **ECU DETAILS**
- PRESS ----- **CONFIG INFO**
- TOGGLE DOWN, VERIFY:

EXTERNAL VES3 DESELECTED ON BUS ----- TRUE