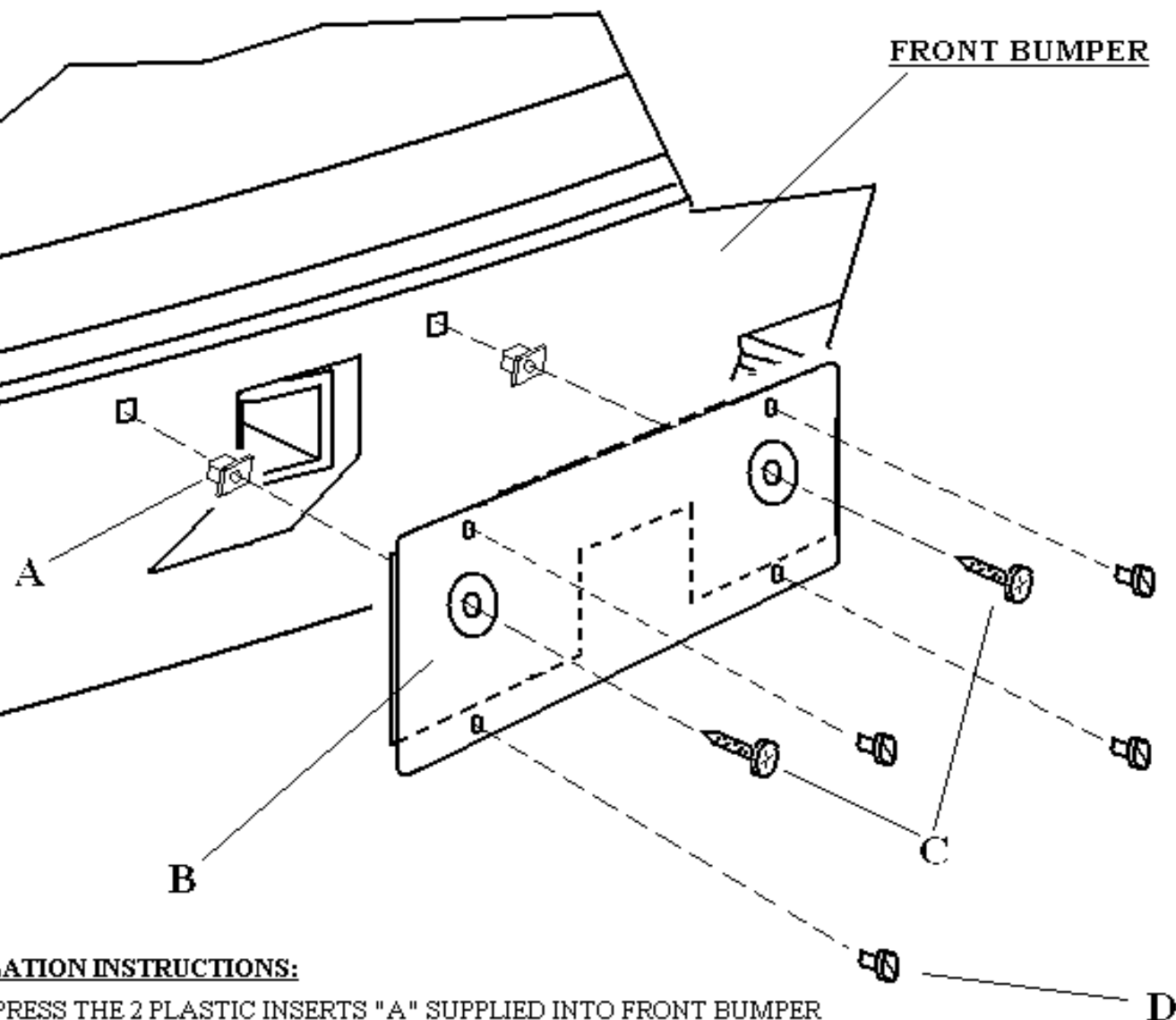


**GOBI SPRING LOADED LICENSE
PLATE BRACKET****INSTALLATION INSTRUCTIONS:**

STEP 1- PRESS THE 2 PLASTIC INSERTS "A" SUPPLIED INTO FRONT BUMPER SQUARE RECEIVER HOLES ABOVE FRONT RECEIVER HITCH.

STEP 2- PLACE GOBI LICENSE PLATE BRACKET "B" OVER INSTALLED PLASTIC INSERTS "A" AND THREAD IN SCREWS "C" THRU GOBI LICENSE PLATE BRACKET AND INTO INSERTS "A"

STEP 3- INSTALL LICENSE PLATE ONTO GOBI LICENSE PLATE BRACKET "B" USING THE 4 PLASTIC LICENSE PLATE ATTACHING SCREWS "D" SUPPLIED.

Letter	Description	Quantity
A	PLASTIC INSERT	2
B	GOBI LICENSE PLATE BRACKET	1
C	LICENSE PLATE BRACKET ATTACHMENT SCREWS	2
D	LICENSE PLATE ATTACHING SCREWS	4