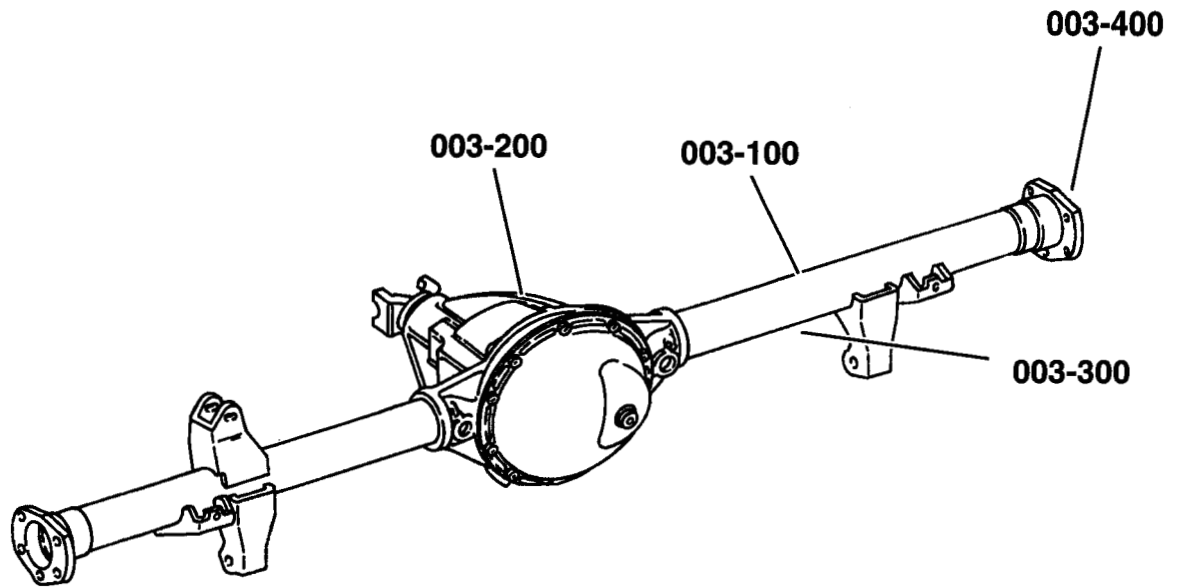
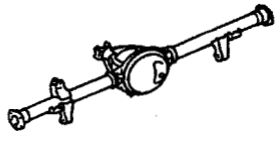
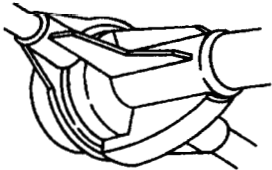
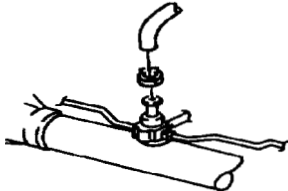
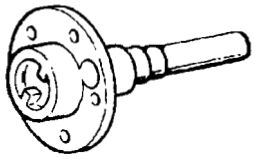


# Group - 003

## Rear Axle



<p><b>003-100</b> Rear Axle</p> 	<p><b>003-200</b> Differential and Housing</p> 	<p><b>003-300</b> Rear Axle Vent</p> 	<p><b>003-400</b> Rear Axle Shafts</p> 

**Group 003 - Rear Axle**

**Rear Axle 003 100**

- Axle Assembly, Rear Chrysler Model 8.25..... .Fig. 003-120
- Axle Assembly, Rear Dana Model 35..... .Fig. 003-130

**Differential and Housing 003 200**

- Housing, Rear Axle Dana Model 35 ..... .Fig. 003-250
- Differential, Non-Locking Dana Model 35..... .Fig. 003-260
- Differential, Locking Dana Model 35..... .Fig. 003-270

**Rear Axle Vent 003 300**

- Vent, Axle ..... Fig. 003-305

**Rear Axle Shafts 003 400**

- Shaft, Rear Axle Dana Model 35 ..... .Fig. 003-430

**JEEP CHEROKEE (LHD) & (RHD) (XJ)**

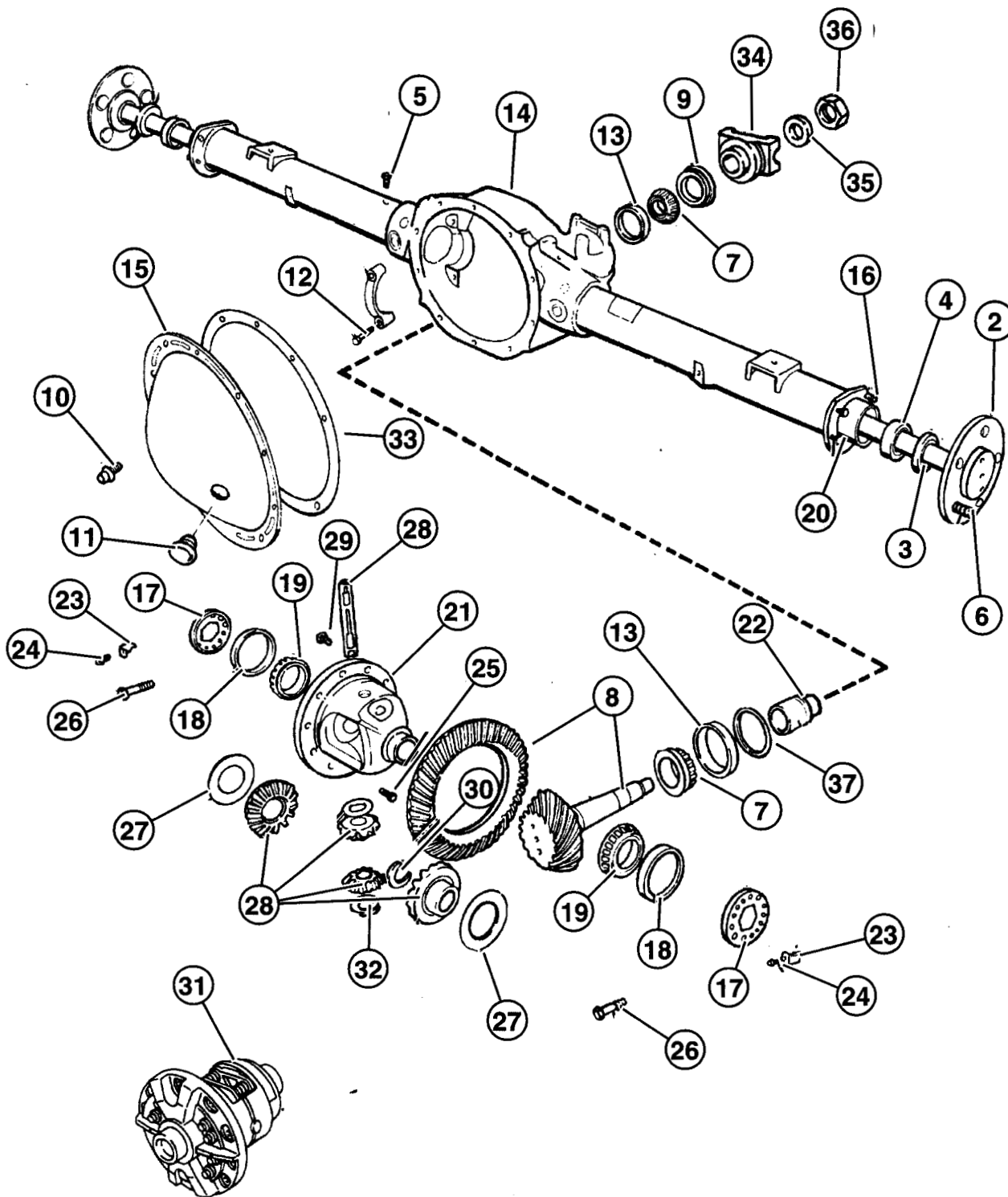
SERIES	LINE	BODY	ENGINE	TRANSMISSION
L=Low Line	J=LHD(4WD) U=RHD(4WD) B=RHD(4x2) T=LHD(4x2)	74=4 Dr. 72=2 Dr.	EN0=2.5L(ENC) Diesel ER0=4.0L(ERH) EP0=2.5L(EPE)	DG0=All Auto/Trans DGW=44RE (DGB) DDQ=5 spd.AISIN DGK=42RE (DGB) DBB=All Manual Trans. DGS=4 spd. Auto. AISIN DGD = 3 spd. Auto (DGA)

**Group 003 - Rear Axle****JEEP CHEROKEE (LHD) & (RHD) (XJ)**

<b>SERIES</b>	<b>LINE</b>	<b>BODY</b>	<b>ENGINE</b>	<b>TRANSMISSION</b>
L=Low Line	J=LHD(4WD) U=RHD(4WD) B=RHD(4x2) T=LHD(4x2)	74=4 Dr. 72=2 Dr.	EN0=2.5L(ENC) Diesel ER0=4.0L(ERH) EP0=2.5L(EPE)	DG0=All Auto/Trans DGW=44RE (DGB) DDQ=5 spd. AISIN DGK=42RE (DGB) DBB=All Manual Trans. DGS=4 spd. Auto. AISIN DGD = 3 spd. Auto (DGA)

Axle Assembly, Rear Chrysler Model 8.25

003-120



ITEM	PART	QTY	LINE	SERIES	BODY	DESCRIPTION
<b>Axle Assembly, Rear Chrysler Model 8.25</b>						
-1						AXLE, Service Rear
	4886 133AA	1				3.55 Ratio, w/ Trac Lok, 1999 XJ
	4886 133AA	1				3.55 Ratio Tag# 52098717, 52098717AC, w/Anti-Spin, 1997 XJ
	<del>4886 138AA</del>	<del>1</del>				<del>3.55 Ratio w/o Trac Lok, 1999 XJ</del>
	<del>4886 138AA</del>	<del>1</del>				<del>3.55 Ratio Tag# 52098716, 52098716AC, w/o Anti-Spin, 1997 XJ</del>
	4886 139AA	1				3.07 Ratio, w/o Trac Lok, 1999 XJ
	4886 139AA	1				3.07 Ratio Tag# 52098715, 52099380AB, w/o Anti-Spin, 1997 XJ
	<del>4886 140AA</del>	<del>1</del>				<del>3.07 Ratio, w/ Trac Lok, 1999 XJ</del>
	<del>4886 140AA</del>	<del>1</del>				<del>3.07 Ratio, Tag# 52099380, 52099380AB, w/ Anti-Spin, 1997 XJ</del>
	4886 145AA	1				4.10 Ratio, w/ Trac Lok, 1999 XJ
	4886 145AA	1				4.10 Ratio, Tag# 52099381, 5209871AB, w/Anti-Spin, 1997 XJ
	<del>4886 148AA</del>	<del>1</del>				<del>4.10 Ratio, w/o Trac Lok, 1999 XJ</del>
	<del>4886 148AA</del>	<del>1</del>				<del>4.10 Ratio, Tag# 52098719, 52098719AB, w/o Anti-Spin, 1997 XJ</del>
2						SHAFT, Axle
	5209 8902					1997 XJ
	5209 8902	2				1998 XJ, 1999 XJ
3						SEAL, Axle Drive Shaft
	4137 426					1997 XJ
	4137 426	2				1998 XJ, 1999 XJ
4	3744 495	2				BEARING PACKAGE, Wheel Bearing Outer
5						SCREW, Brake Tee, .437-20x2.07, (NOT SERVICED)
6						STUD, Hub
	8350 3053	2				1999 XJ
	8350 3053	10				1997 XJ, 1998 XJ
7						BEARING, Drive Pinion
	2070 316					Outer, 1997 XJ
	2070 316	1				Conv Outer, 1998 XJ, 1999 XJ
	2800 484					Inner, 1997 XJ
	2800 484	1				Conv Inner, 1998 XJ, 1999 XJ
8						GEAR PACKAGE, Ring And Pinion
	4720 973					4.10 Ratio, 1997 XJ
	4720 973	1				4.10, 1998 XJ, 1999 XJ
	4728 707					3.07 Ratio, 1997 XJ
	4728 707	1				3.07, 1998 XJ, 1999 XJ
	4856 540	1				3.55, 1998 XJ
	4856 540					3.55 Ratio, 1997 XJ
9						SEAL, Drive Pinion
	5206 7595					1997 XJ
	5206 7595	1				1998 XJ, 1999 XJ
10						SCREW AND WASHER, Hex Flange Head, .312-18x.562
	6033 043					1997 XJ
	6033 043	10				1998 XJ, 1999 XJ
11						PLUG, Differential Cover
	3723 687					1997 XJ
	3723 687	1				1998 XJ, 1999 XJ

**JEEP CHEROKEE (LHD) & (RHD) (XJ)**

SERIES	LINE	BODY	ENGINE	TRANSMISSION
L=Low Line	J=LHD(4WD) U=RHD(4WD) B=RHD(4x2) T=LHD(4x2)	74=4 Dr. 72=2 Dr.	EN0=2.5L(ENC) Diesel ER0=4.0L(ERH) EP0=2.5L(EPE)	DG0=All Auto/Trans DGW=44RE (DGB) DDQ=5 spd. AISIN DGK=42RE (DGB) DBB=All Manual Trans. DGS=4 spd. Auto. AISIN DGD=3 spd. Auto (DGA)

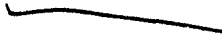
ITEM	PART	QTY	LINE	SERIES	BODY	DESCRIPTION
<b>Axle Assembly, Rear Chrysler Model 8.25</b>						
12	3432 695					SCREW, Hex Head, .50-13x2.38
	3432 695	4				1997 XJ 1998 XJ, 1999 XJ
13	2070 317					CUP, Drive Pinion Bearing
	2070 317	1				Outer, 1997 XJ Outer, 1998 XJ, 1999 XJ
	2800 485					Inner, 1997 XJ
	2800 485	1				Inner, 1998 XJ, 1999 XJ
14	4886 134AA	1				HOUSING, Axle
15	4049 689	1				COVER PACKAGE, Differential
16	3723 668	8				STUD, Brake Support, .375-24x1.00
17	3507 876	2				ADJUSTER, Differential Bearing
18	3723 569	1				CUP, Differential Side Bearing
	3723 569	2				1997 XJ 1998 XJ, 1999 XJ
19	1790 541	1				BEARING, Differential
	1790 541	2				1997 XJ 1998 XJ, 1999 XJ
20	0152 345	1	J			NUT .375-24
	0152 345	1	J, U			1997 XJ 1998 XJ, 1999 XJ
21	5209 8776	1				CASE, Differential
22	3507 575	1				SPACER, Drive Pinion Bearing
23	3723 859	1				LOCK, Differential Bearing
	3723 859	2				1997 XJ 1998 XJ, 1999 XJ
24	6023 092	2				SCREW AND WASHER, Hex Head, .25-20x.50
25	3507 724	1				SCREW, Hex Head, .312-18x1.80
26	3432 695	4				SCREW, Hex Head, .50-13x2.38
27	8350 0191	1	J			SHIM KIT, Differential
	8350 0191	1	U			1997 XJ
	8350 3004	1				1999 XJ
28	4883 087	1				GEAR PACKAGE, Differential
29	4443 158	1				BOLT KIT
	4720 891	1				1997 XJ 1998 XJ, 1999 XJ
30	5206 9426	2				RETAINER, Axle Shaft
31	5209 8776	1				CASE, Differential
	5209 8776	1				Conv., 1998 XJ, 1999 XJ With Anti-Spin, 1997 XJ
	5209 8778	1				Trac - Lok, 1998 XJ, 1999 XJ
32	2852 912	1				WASHER, Pinion Thrust
	2852 912	2				1997 XJ 1998 XJ, 1999 XJ
33	4318 025	1	J, U			SEALANT, RTV
34	5206 8839	1				YOKE, Axle
35	2070 117	1				WASHER, Pinion Yoke
36	6028 041	1				NUT, Hex, .875-14
37	3723 520	AR				SHIM, Drive Pinion Bearing, .020
	3723 520	1				1998 XJ 1997 XJ, 1999 XJ

**JEEP CHEROKEE (LHD) & (RHD) (XJ)**

SERIES	LINE	BODY	ENGINE	TRANSMISSION
L=Low Line	J=LHD(4WD) U=RHD(4WD) B=RHD(4x2) T=LHD(4x2)	74=4 Dr. 72=2 Dr.	EN0=2.5L(ENC) Diesel ER0=4.0L(ERH) EP0=2.5L(EPE)	DG0=All Auto/Trans DGW=44RE (DGB) DDQ=5 spd. AISIN DGK=42RE (DGB) DBB=All Manual Trans. DGS=4 spd. Auto. AISIN DGD = 3 spd. Auto (DGA)

ITEM	PART	QTY	LINE	SERIES	BODY	DESCRIPTION
------	------	-----	------	--------	------	-------------

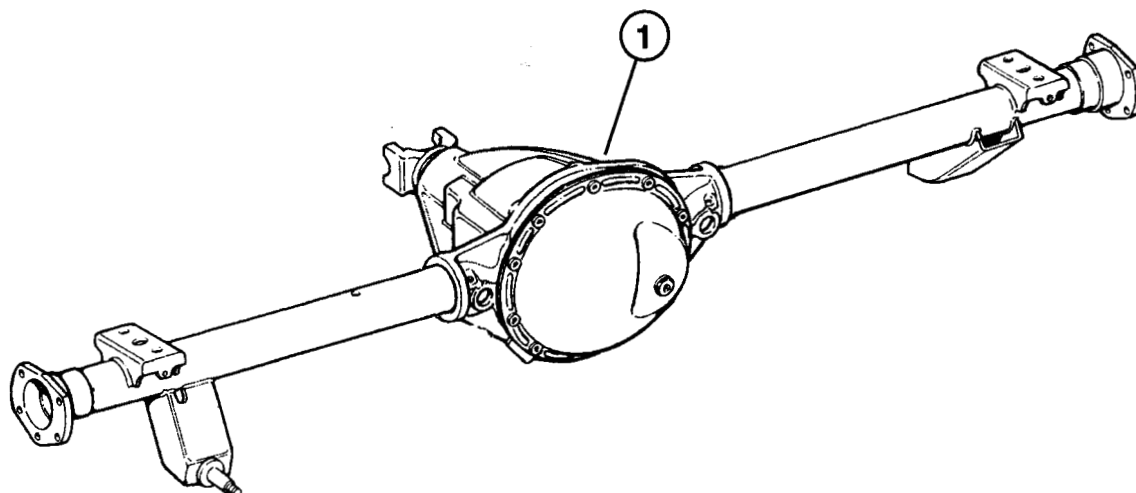
**Axle Assembly, Rear Chrysler Model 8.25**



JEEP CHEROKEE (LHD) & (RHD) (XJ)				
SERIES	LINE	BODY	ENGINE	TRANSMISSION
L=Low Line	J=LHD(4WD)	74=4 Dr.	EN0=2.5L(ENC) Diesel	DG0=All Auto/Trans
	U=RHD(4WD)	72=2 Dr.	ER0=4.0L(ERH)	DGW=44RE (DGB)
	B=RHD(4x2)		EP0=2.5L(EPE)	DDQ=5 spd. AISIN
	T=LHD(4x2)			DGK=42RE (DGB)
				DBB=All Manual Trans.
				DGS=4 spd. Auto. AISIN
				DGD = 3 spd. Auto (DGA)

Axle Assembly, Rear Dana Model 35

003-130





ITEM	PART	QTY	LINE	SERIES	BODY	DESCRIPTION
------	------	-----	------	--------	------	-------------

**Axle Assembly, Rear Dana Model 35**

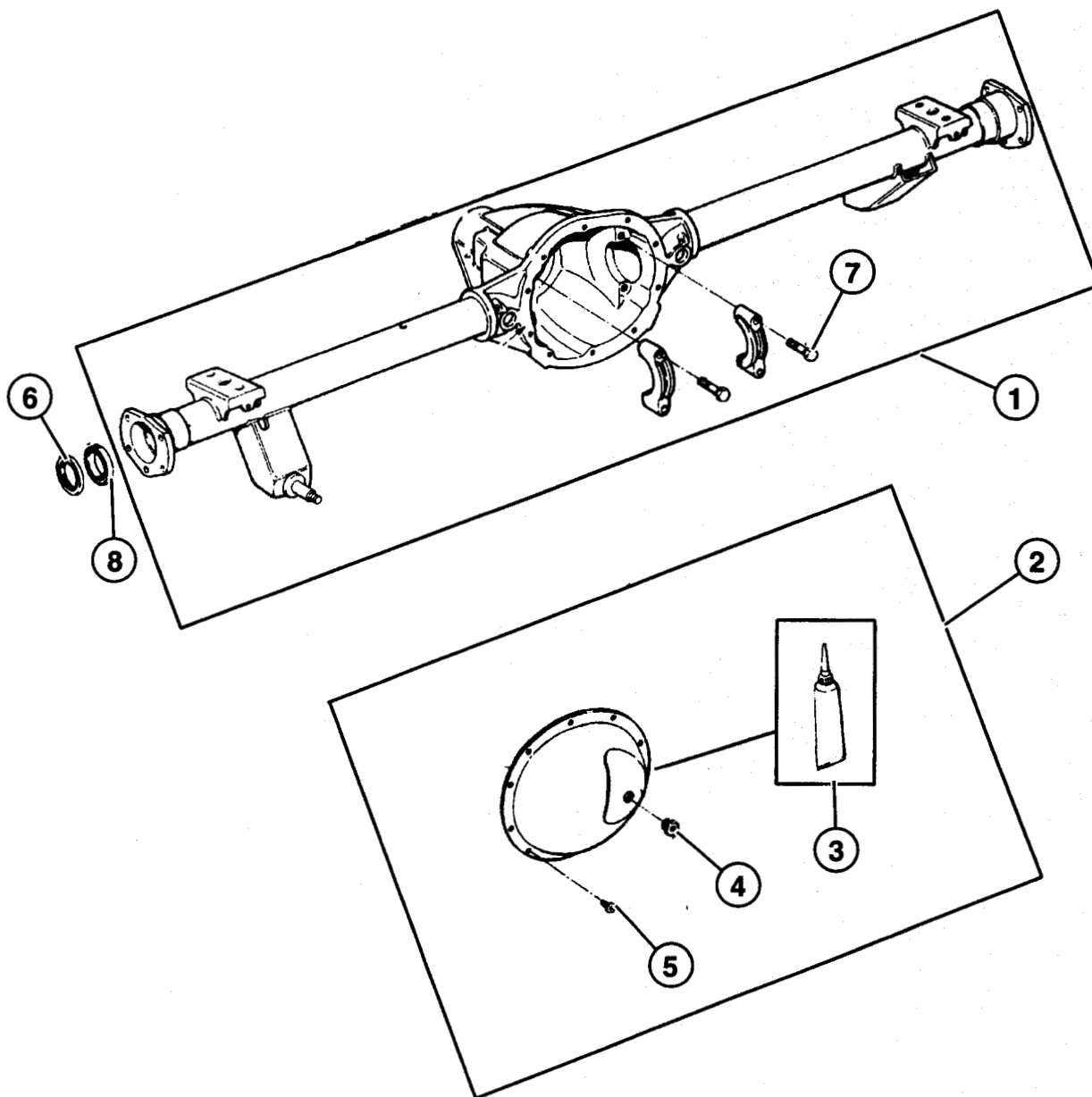
1						AXLE, Service Rear
	4797 553	1				1999 XJ
	4797 553	1				3.55 Ratio, Tag# 52099473, 52099473AB, w/o Anti-Spin, 1997 XJ
	4797 571	1				1999 XJ
	4797 571	1				3.55 Ratio, Tag# 52099458, 52099457, w/Anti-Spin, 1997 XJ
	4798 093	1				1999 XJ
	4798 093	1				3.73 Ratio, Tag# 52099468 w/Anti-Spin w/o Anti-Lock Brakes, 1997 XJ
	4 564 1	1				1999 XJ
	4856 491	1				3.73 Ratio Tag# 52099467 w/o Anti-Spin, 1997 XJ
	4882 529	1				1999 XJ
	4882 529	1				3.07 Ratio, Tag# 52099474, 52099474AB, w/o Anti-Spin, 1997 XJ
	4882 560	1				3.73 Ratio, Tag# 52099460 w/ Anti-Spin and Anti-Lock Brakes, 1997 XJ
	5011 693AA	1				1999 XJ
-2						AXLE, Rear
	4882 527	1				1999 XJ
	4882 527	1				3.07 Ratio, Tag# 52099459 w/Anti-Spin, 1997 XJ
	5011 690AA	1				1999 XJ

**JEEP CHEROKEE (LHD) & (RHD) (XJ)**

SERIES	LINE	BODY	ENGINE	TRANSMISSION
L=Low Line	J=LHD(4WD) U=RHD(4WD) B=RHD(4x2) T=LHD(4x2)	74=4 Dr. 72=2 Dr.	EN0=2.5L(ENC) Diesel ER0=4.0L(ERH) EP0=2.5L(EPE)	DG0=All Auto/Trans DGW=44RE (DGB) DDQ=5 spd. AISIN DGK=42RE (DGB) DBB=All Manual Trans. DGS=4 spd. Auto. AISIN DGD= 3 spd. Auto (DGA)

Housing, Rear Axle Dana Model 35

003-250



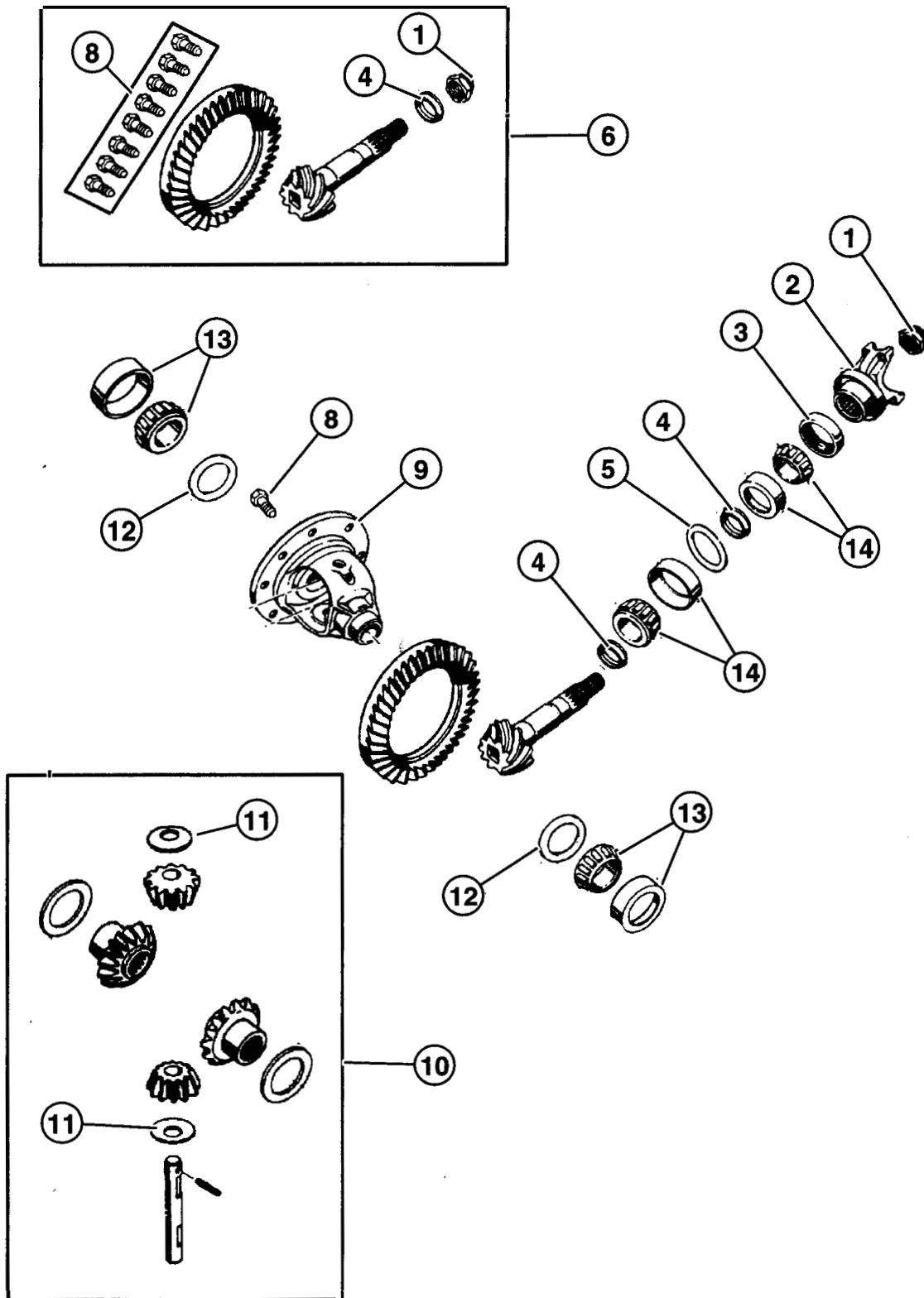
ITEM	PART	QTY	LINE	SERIES	BODY	DESCRIPTION
<b>Housing, Rear Axle Dana Model 35</b>						
1						HOUSING, Rear Axle
	4636 168	1				1998 XJ, 1999 XJ
	4636 168	1				3.55 Ratio, 1997 XJ
	4798 092	1				1998 XJ, 1999 XJ
	4798 092	1				3.07, 3.73, Ratio, 1997 XJ
2	5252 493	1				COVER, Differential
3						SEALANT, RTV
	4318 025	1	B			1997 XJ
	4318 025	1	J, U			1998 XJ, 1999 XJ
4	5252 504	1				PLUG, Differential Cover
5	J400 6708	10				SCREW, Pan Head, .312-18x.56
6	4856 336	2				SEAL, Axle Drive Shaft
7	J400 6553	4				BOLT, Differential
8	J813 4586	2				BEARING, Axle Shaft

**JEEP CHEROKEE (LHD) & (RHD) (XJ)**

SERIES	LINE	BODY	ENGINE	TRANSMISSION
L=Low Line	J=LHD(4WD) U=RHD(4WD) B=RHD(4x2) T=LHD(4x2)	74=4 Dr. 72=2 Dr.	EN0=2.5L(ENC) Diesel ER0=4.0L(ERH) EP0=2.5L(EPE)	DG0=All Auto/Trans DGW=44RE (DGB) DDQ=5 spd. AISIN DGK=42RE (DGB) DBB=All Manual Trans. DGS=4 spd. Auto. AISIN DGD = 3 spd. Auto (DGA)

Differential, Non-Locking Dana Model 35

003-260



**1997-99 JEEP CHEROKEE (XJ)  
PARTS CATALOG**

Figure 003-260  
Page 003-13

Rear Axle

ITEM	PART	QTY	LINE	SERIES	BODY	DESCRIPTION
<b>Differential, Non-Locking Dana Model 35</b>						
1	4720 895	1				NUT, Pinion Yoke
2	4797 552	1				YOKE, Axle
3	8350 4946	1				SEAL, Drive Pinion
4	<b>J317 5779</b>	1				<b>SPACER, Drive Pinion Bearing</b>
5	4720 922	1				SHIM KIT, Pinion Shaft, 1997 XJ, 1999 XJ
6						GEAR KIT, Ring And Pinion
	8350 5472	1				1999 XJ
	8350 5472	1				3.07 Ratio, 1997 XJ
-7						GEAR KIT, Ring And Pinion
	4761 676	1				1998 XJ, 1999 XJ
	4761 676	1				3.55 Ratio, 1997 XJ, 1999 XJ
	<b>4761 678</b>	1				<b>3.73 Ratio, 1997 XJ</b>
8	4720 891	1				<b>BOLT KIT</b>
9						CASE, Differential
	4740 833	1				3.07 Ratio, 1997 XJ
	4740 834	1				1998 XJ, 1999 XJ
	4740 834	1				3.55, 3.73 Ratio, 1997 XJ
10	4740 670	1				GEAR KIT, Center Differential
11						WASHER, Flat
	J420 0096	2	U			1998 XJ
	<b>J420 0096</b>	2	<b>B</b>		74	<b>1999 XJ</b>
	J420 0096	2	J			1998 XJ, 1999 XJ
	J812 0831	2	J			1997 XJ
12	8350 3004	1				SHIM KIT, Differential, 1997 XJ, 1999 XJ
13	J812 6500	1				BEARING, Differential
14						BEARING, Drive Pinion
	5252 507	1				Inner, 1997 XJ
	5252 507	1				1998 XJ, 1999 XJ
	<b>5252 508</b>	1				<b>Outer, 1997 XJ</b>
	5252 508	1				1998 XJ, 1999 XJ

**JEEP CHEROKEE (LHD) & (RHD) (XJ)**

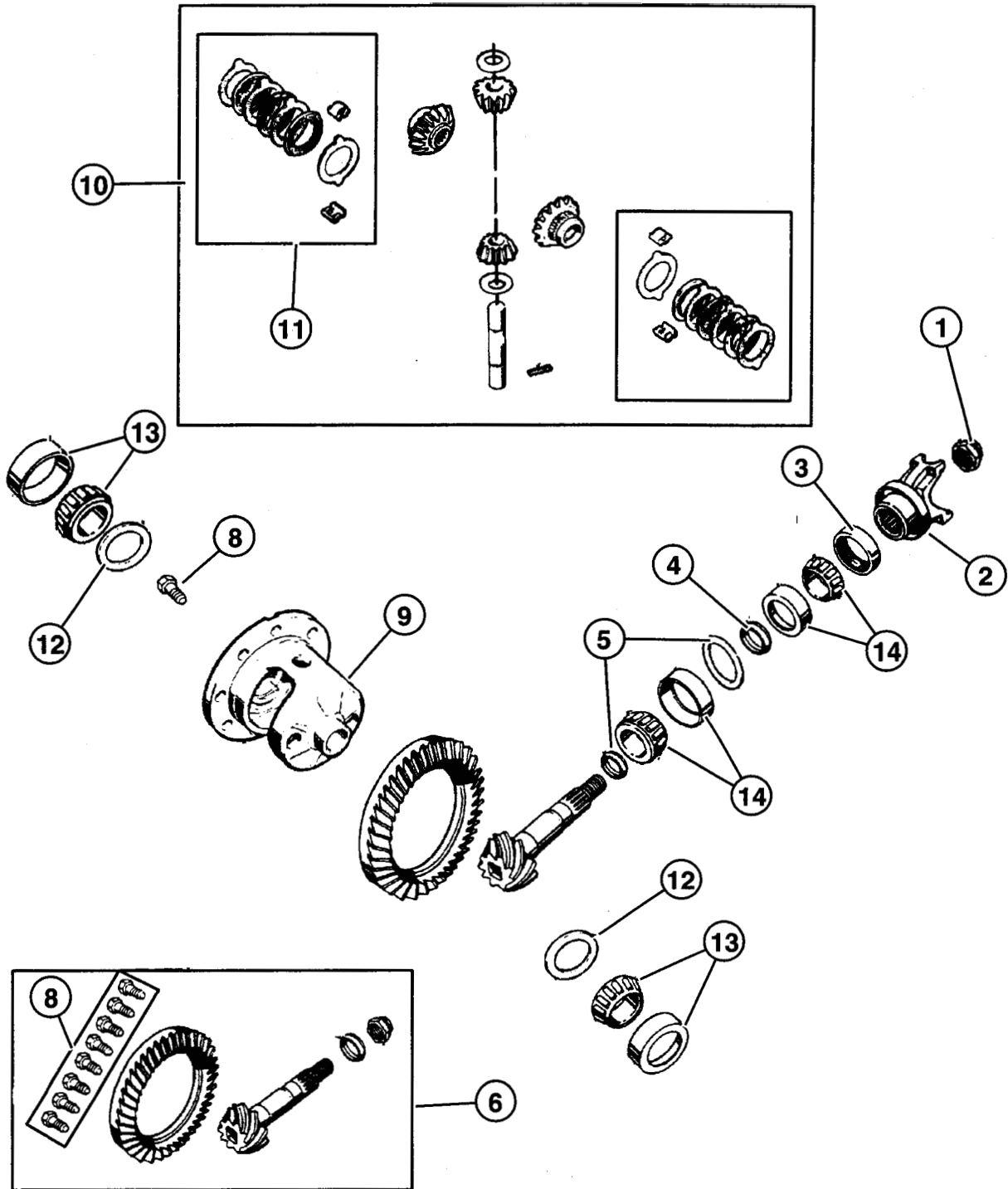
SERIES	LINE	BODY	ENGINE	TRANSMISSION
L=Low Line	J=LHD(4WD) U=RHD(4WD) B=RHD(4x2) T=LHD(4x2)	74=4 Dr. 72=2 Dr.	EN0=2.5L(ENC) Diesel ER0=4.0L(ERH) EP0=2.5L(EPE)	DG0=All Auto/Trans DGW=44RE (DGB) DDQ=5 spd.AISIN DGK=42RE (DGB) DBB=All Manual Trans. DGS=4 spd. Auto. AISIN DGD = 3 spd. Auto (DGA)

AR = Use as Required; \* = Non-Illustrated Part; # = New This Model Year

June 1998

Differential, Locking Dana Model 35

003-270



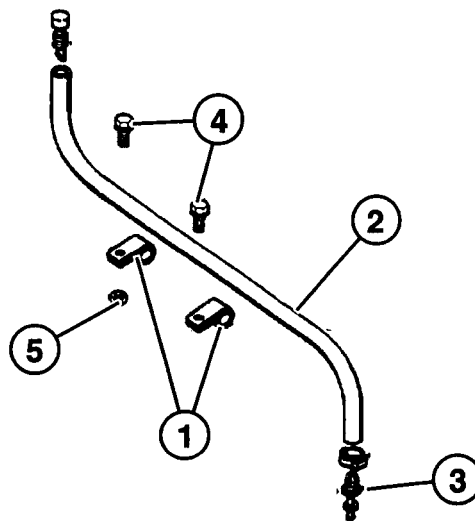
ITEM	PART	QTY	LINE	SERIES	BODY	DESCRIPTION
<b>Differential, Locking Dana Model 35</b>						
1	4720 895	1				NUT, Pinion Yoke
2	4797 552	1				YOKE, Axle
3	8350 4946	1				SEAL, Drive Pinion
4	J317 5779	1				SPACER, Drive Pinion Bearing
5	4720 922	1				SHIM KIT, Pinion Shaft, 1997 XJ, 1999 XJ
6						GEAR KIT, Ring And Pinion
	8350 5472	1				1999 XJ
	8350 5472	1				3.07 Ratio 19 7 X-I
-7						GEAR KIT, Ring And Pinion
	4761 676	1				1998 XJ, 1999 XJ
	4761 676	1				3.55, 3.73 Ratio, 1997 XJ
	4761 678	1				1998 XJ, 1999 XJ
8	4720 891	1				BOLT KIT
9						CASE, Differential
	4740 833	1				3.55, 1998 XJ, 1999 XJ
	4740 834	1				3.73, 1998 XJ, 1999 XJ
	5252 496	1				3.55, 3.73 Ratio, 1997 XJ
	5252 496	1				Trac - Lok, 1998 XJ, 1999 XJ
	5252 512	1				3.07 ratio Trac - Lok ABS, 1998 XJ, 1999 XJ
10	4773 010	1				GEAR KIT, Center Differential
11	5252 506	1				DISC AND PLATE KIT, Differential, 1997 XJ, 1999 XJ
12	8350 3004	1				SHIM KIT, Differential, 1997 XJ, 1999 XJ
13	J812 6500	1				BEARING, Differential
14						BEARING, Drive Pinion
	5252 507	1				1998 XJ, 1999 XJ
	5252 508	1				Outer, 1997 XJ
	5252 508	1				1998 XJ, 1999 XJ

### JEEP CHEROKEE (LHD) & (RHD) (XJ)

SERIES	LINE	BODY	ENGINE	TRANSMISSION
L=Low Line	J=LHD(4WD) U=RHD(4WD) B=RHD(4x2) T=LHD(4x2)	74=4 Dr. 72=2 Dr.	EN0=2.5L(ENC) Diesel ER0=4.0L(ERH) EP0=2.5L(EPE)	DG0=All Auto/Trans DGW=44RE (DGB) DDQ=5 spd. AISIN DGK=42RE (DGB) DBB=All Manual Trans. DGS=4 spd. Auto. AISIN DGD=3 spd. Auto (DGA)

Vent, Axle

003-305





Rear Axle

EM	PART
----	------

**Vent, Axle**

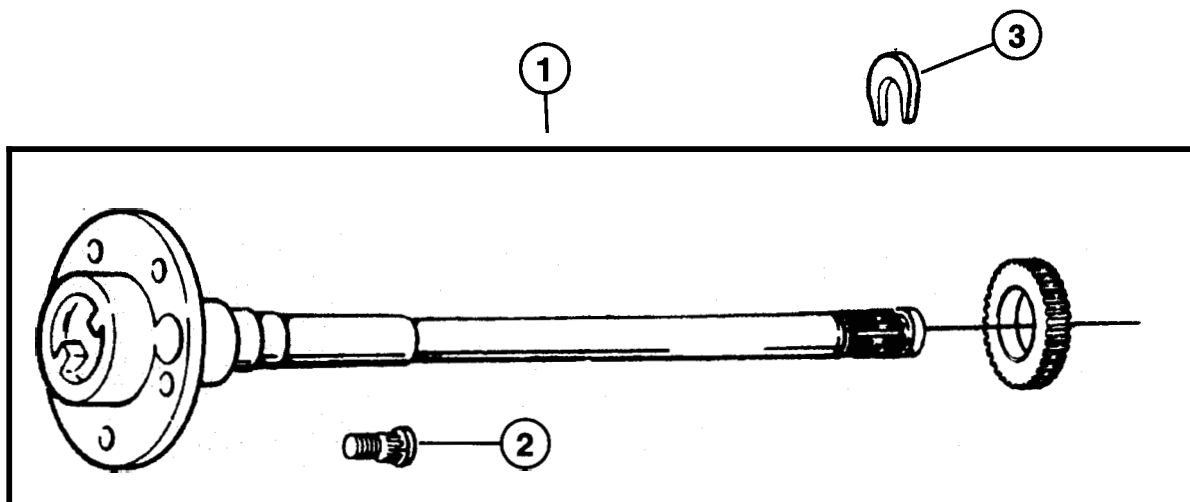
1			CLIP, Wrap Around, (NOT SERVICED)
2			HOSE, Fuel, .31 I.D. 50 Foot <b>Roll</b>
	4443 176	AR J,T	1999 <b>XJ</b>
	4443 176	1	1997 XJ, 1998 XJ
3	J318 7999	1	<b>VENT, Axle</b>
4			SCREW, Hex Flange Head Tapping, .312-18x.625, (NOT SERVICED)
5			NUT, Hex, .190-24, (NOT SERVICED)

**JEEP CHEROKEE (LHD) & (RHD) (XJ)**

SERIES	LINE	BODY	ENGINE	TRANSMISSION
L=Low Line	J=LHD(4WD) U=RHD(4WD) B=RHD(4x2) T=LHD(4x2)	74=4 Dr. 72=2 Dr.	EN0=2.5L(ENC) Diesel ER0=4.0L(ERH) EP0=2.5L(EPE)	DG0=All Auto/Trans DGW=44RE (DGB) DDQ=5 spd. AISIN DGK=42RE (DGB) DBB=All Manual Trans. DGS=4 spd. Auto. AISIN DGD = 3 spd. Auto (DGA)

Shaft, Rear Axle Dana Model 35

003-430



ITEM	PART	QTY	LINE	SERIES	BODY	DESCRIPTION
<b>Shaft, Rear Axle Dana Model 35</b>						
1						SHAFT, Axle
	4713 192	1				Right, 1997 XJ
	4713 192	1				1998 XJ, 1999 XJ
	4713 193	1				Left, 1997 XJ
	<b>4713 193</b>	<b>1</b>				<b>1998 XJ, 1999 XJ</b>
2						STUD, Hub
	8350 3053	2				1999 XJ
	<b>8350 3053</b>	<b>10</b>				<b>1997 XJ, 1998 XJ</b>
3						RETAINER, Axle Shaft
	5252 505	1				1997 XJ
	5252 505	2				1998 XJ, 1999 XJ

### JEEP CHEROKEE (LHD) & (RHD) (XJ)

SERIES	LINE	BODY	ENGINE	TRANSMISSION
L=Low Line	J=LHD(4WD) U=RHD(4WD) B=RHD(4x2) T=LHD(4x2)	74=4 Dr. 72=2 Dr.	EN0=2.5L(ENC) Diesel ER0=4.0L(ERH) EP0=2.5L(EPE)	DG0=All Auto/Trans DGW=44RE (DGB) DDQ=5 spd. AISIN DGK=42RE (DGB) DBB=All Manual Trans. DGS=4 spd. Auto. AISIN DGD = 3 spd. Auto (DGA)

ITEM	PART	QTY	LINE	SERIES	BODY	DESCRIPTION
------	------	-----	------	--------	------	-------------

**Shaft, Rear Axle Dana Model 35**

**JEEP CHEROKEE (LHD) & (RHD) (XJ)**

SERIES	LINE	BODY	ENGINE	TRANSMISSION
L=Low Line	J=LHD(4WD)	74=4 Dr.	EN0=2.5L(ENC) Diesel	DG0=All Auto/Trans
	U=RHD(4WD)	72=2 Dr.	ER0=4.0L(ERH)	DGW=44RE (DGB)
	B=RHD(4x2)		EP0=2.5L(EPE)	DDQ=5 spd. AISIN
	T=LHD(4x2)			DGK=42RE (DGB)
				DBB=All Manual Trans.
				DGS=4 spd. Auto. AISIN
				DGD = 3 spd. Auto (DGA)