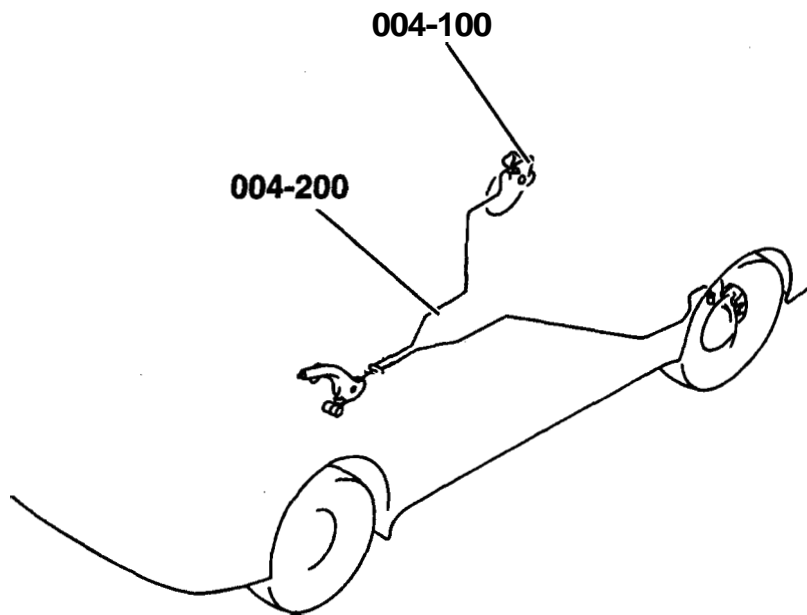



Group - 004

Parking Brake



<p>004-100 Parking Brake Lever and Cables</p> 			
--	--	--	--

Group 004 - Parking Brake

Parking Brake Lever and Cables

004 100

Lever Assembly and Cables.....Fig. 004-120

JEEP CHEROKEE (LHD) & (RHD) (XJ)

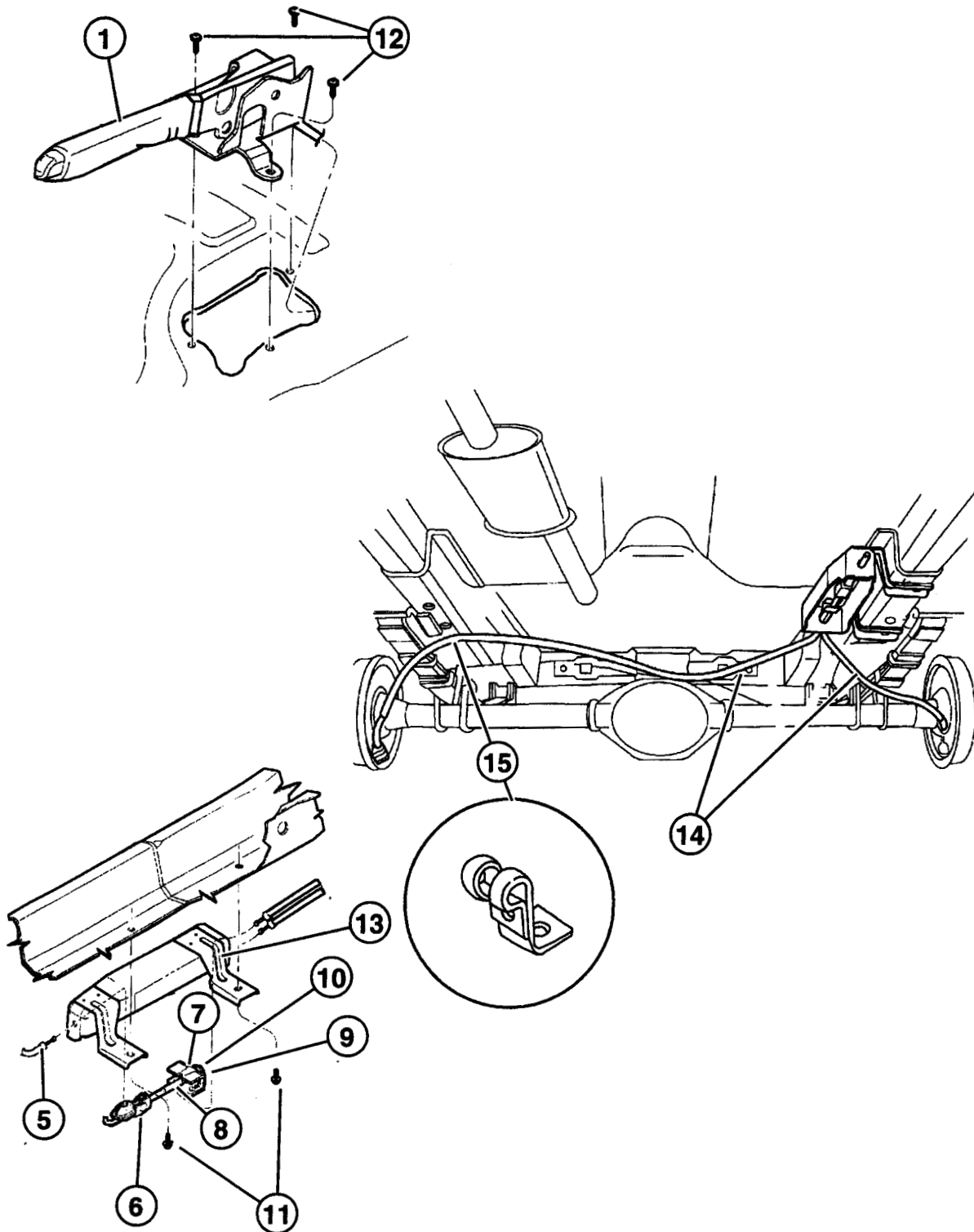
SERIES	LINE	BODY	ENGINE	TRANSMISSION
L=Low Line	J=LHD(4WD) U=RHD(4WD) B=RHD(4x2) T=LHD(4x2)	74=4 Dr. 72=2 Dr.	EN0=2.5L(ENC) Diesel ER0=4.0L(ERH) EP0=2.5L(EPE)	DG0=All Auto/Trans DGW=44RE (DGB) DDQ=5 spd. AISIN DGK=42RE (DGB) DBB=All Manual Trans. DGS=4 spd. Auto. AISIN DGD= 3 spd. Auto (DGA)

Group 004 - Parking Brake

JEEP CHEROKEE (LHD) & (RHD) (XJ)				
SERIES	LINE	BODY	ENGINE	TRANSMISSION
L=Low Line	J=LHD(4WD) U=RHD(4WD) B=RHD(4x2) T=LHD(4x2)	74=4 Dr. 72=2 Dr.	EN0=2.5L(ENC) Diesel ER0=4.0L(ERH) EP0=2.5L(EPE)	DG0=All Auto/Trans DGW=44RE (DGB) DDQ=5 spd.AISIN DGK=42RE (DGB) DBB=All Manual Trans. DGS=4 spd. Auto. AISIN DGD = 3 spd. Auto (DGA)

Lever Assembly and Cables

004-120



Parking Brake

ITEM	PART	QTY	LINE	BODY	DESCRIPTION
Lever Assembly and Cables					
1	5207 8943	1			LEVER, Park Brake
-2	5212 7960	1			SWITCH, Parking Brake
-3	5207 8010	1			PIN, Parking Release
-4	5207 8012	1			CLIP, Parking Brake Cable
5	5212 8164	1			CABLE, Parking Brake, Front
6	52128185	1			ADJUSTER, Parking Brake Cable
7	4423 264	1			EQUALIZER, Parking Brake Cable
8	0274 865	1			SPACER, Parking Brake
9	4423 735	1			WASHER, Teflon, ID=.380 /OD=.760/THK=.025
10	6030 607	1			NUT, Hex Flange Lock, .312-18
11	6100582	2			BOLT AND CONED WASHER, Hex Head, M8x20x20
12					SCREW M6x1x25
	6101 780	3			1999 XJ
	6503 319	3			1997 XJ, 1998 XJ
13	5212 8172	1			BRACKET, Parking Brake
14					CABLE, Parking Brake
	5212 8073	1			Left, Rear, 1997 XJ
	5212 8073	1			Left, 1998 XJ, 1999 XJ
	52128 072AB	1			Right, Rear, 1997 XJ
	52128 072AB	1			Right, 1998 XJ, 1999 XJ
15	52128 235AA	1			BRACKET, Brake Cable Guide

JEEP CHEROKEE (LHD) & (RHD) (XJ)

SERIES	LINE	BODY	ENGINE	TRANSMISSION
L=Low Line	J=LHD(4WD) U=RHD(4WD) B=RHD(4x2) T=LHD(4x2)	74=4 Dr. 72=2 Dr.	EN0=2.5L(ENC) Diesel ER0=4.0L(ERH) EP0=2.5L(EPE)	DG0=All Auto/Trans DGW=44RE (DGB) DDQ=5 spd. AISIN DGK=42RE (DGB) DBB=All Manual Trans. DGS=4 spd. Auto. AISIN DGD = 3 spd. Auto (DGA)

ITEM	PART	DIV	LINE	BODY	DESCRIPTION
------	------	-----	------	------	-------------

Lever Assembly and Cables

JEEP CHEROKEE (LHD) & (RHD) (XJ)

SERIES	LINE	BODY	ENGINE	TRANSMISSION
L=Low Line	J=LHD(4WD) U=RHD(4WD) B=RHD(4x2) T=LHD(4x2)	74=4 Dr. 72=2 Dr.	EN0=2.5L(ENC) Diesel ER0=4.0L(ERH) EP0=2.5L(EPE)	DG0=All Auto/Trans DGW=44RE (DGB) DDQ=5 spd. AISIN DGK=42RE (DGB) DBB=All Manual Trans. DGS=4 spd. Auto. AISIN DGD= 3 spd. Auto (DGA)