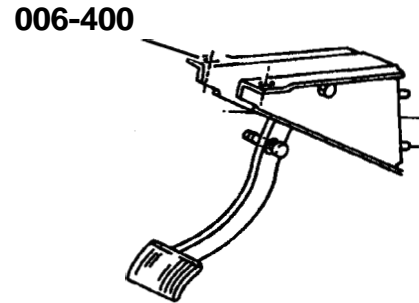
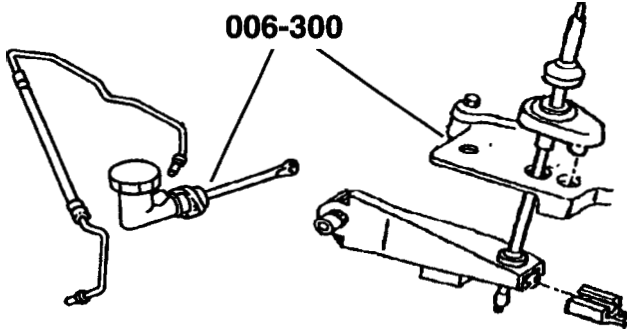
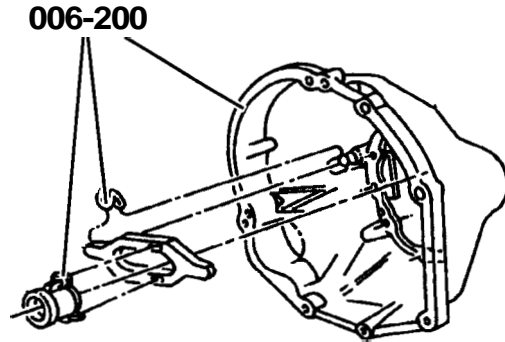
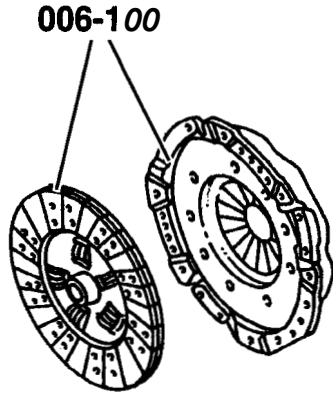
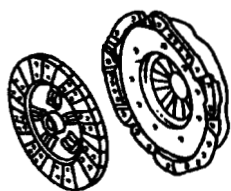
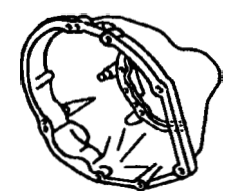
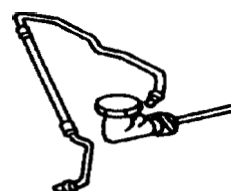
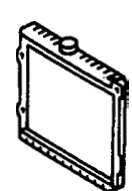


Group - 006

Clutch



<p>006-100 Clutch</p> 	<p>006-200 Clutch Housing</p> 	<p>006-300 Clutch Controls</p> 	<p>006-400 Clutch Pedals</p> 

Group 006 - Clutch

Clutch	006 100
Clutch	Fig. 006-110
Clutch Housing	006 200
Clutch Housing	Fig. 006-210
Clutch Controls	006 300
Clutch Control	Fig. 006-320
Clutch Pedals	006 400
Pedal Clutch	Fig. 006-420

JEEP CHEROKEE (LHD) & (RHD) (XJ)

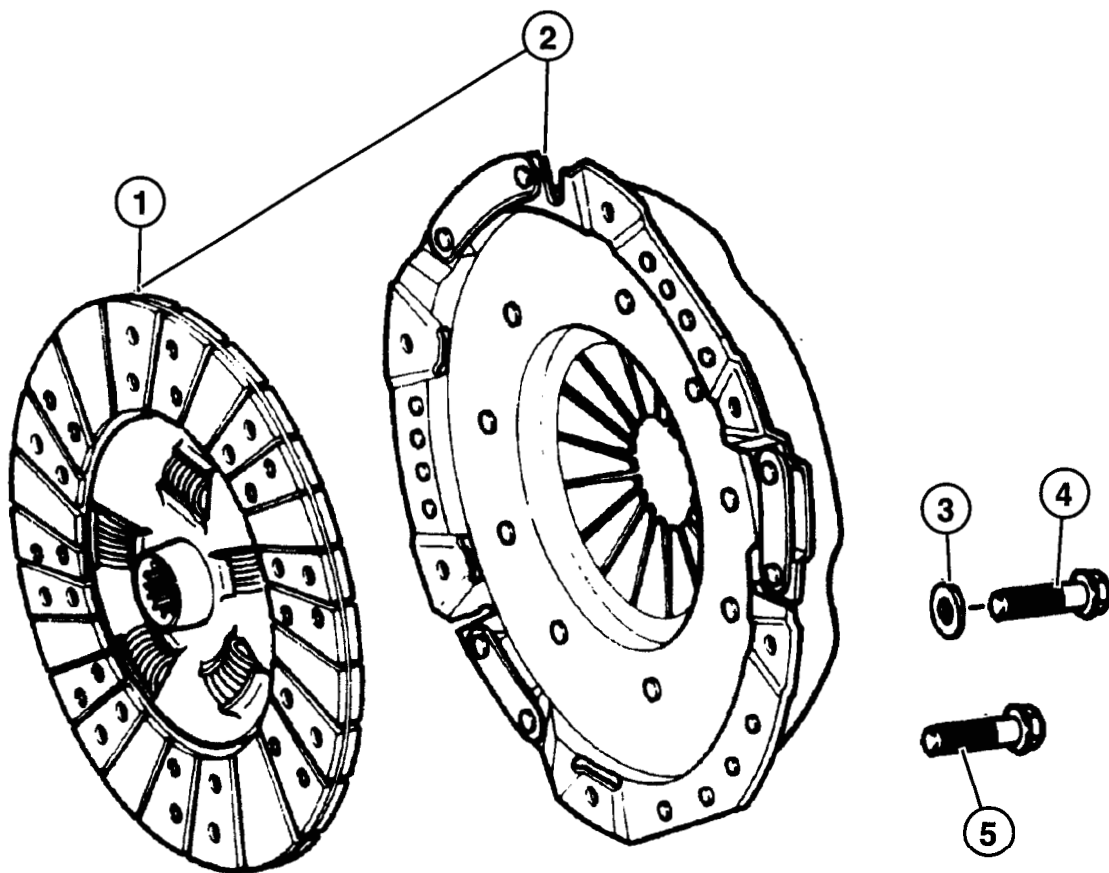
SERIES	LINE	BODY	ENGINE	TRANSMISSION
L=Low Line	J=LHD(4WD) U=RHD(4WD) B=RHD(4x2) T=LHD(4x2)	74=4 Dr. 72=2 Dr.	EN0=2.5L(ENC) Diesel ER0=4.0L(ERH) EP0=2.5L(EPE)	DG0=All Auto/Trans DGW=44RE (DGB) DDQ=5 spd.AISIN DGK=42RE (DGB) DBB=All Manual Trans. DGS=4 spd. Auto. AISIN DGD= 3 spd. Auto (DGA)

Group 006 - Clutch**JEEP CHEROKEE (LHD) & (RHD) (XJ)**

SERIES	LINE	BODY	ENGINE	TRANSMISSION
L=Low Line	J=LHD(4WD) U=RHD(4WD) B=RHD(4x2) T=LHD(4x2)	74=4 Dr. 72=2 Dr.	EN0=2.5L(ENC) Diesel ER0=4.0L(ERH) EP0=2.5L(EPE)	DG0=All Auto/Trans DGW=44RE (DGB) DDQ=5 spd. AISIN DGK=42RE (DGB) DDB=All Manual Trans. DGS=4 spd. Auto. AISIN DGD= 3 spd. Auto (DGA)

Clutch

006-110



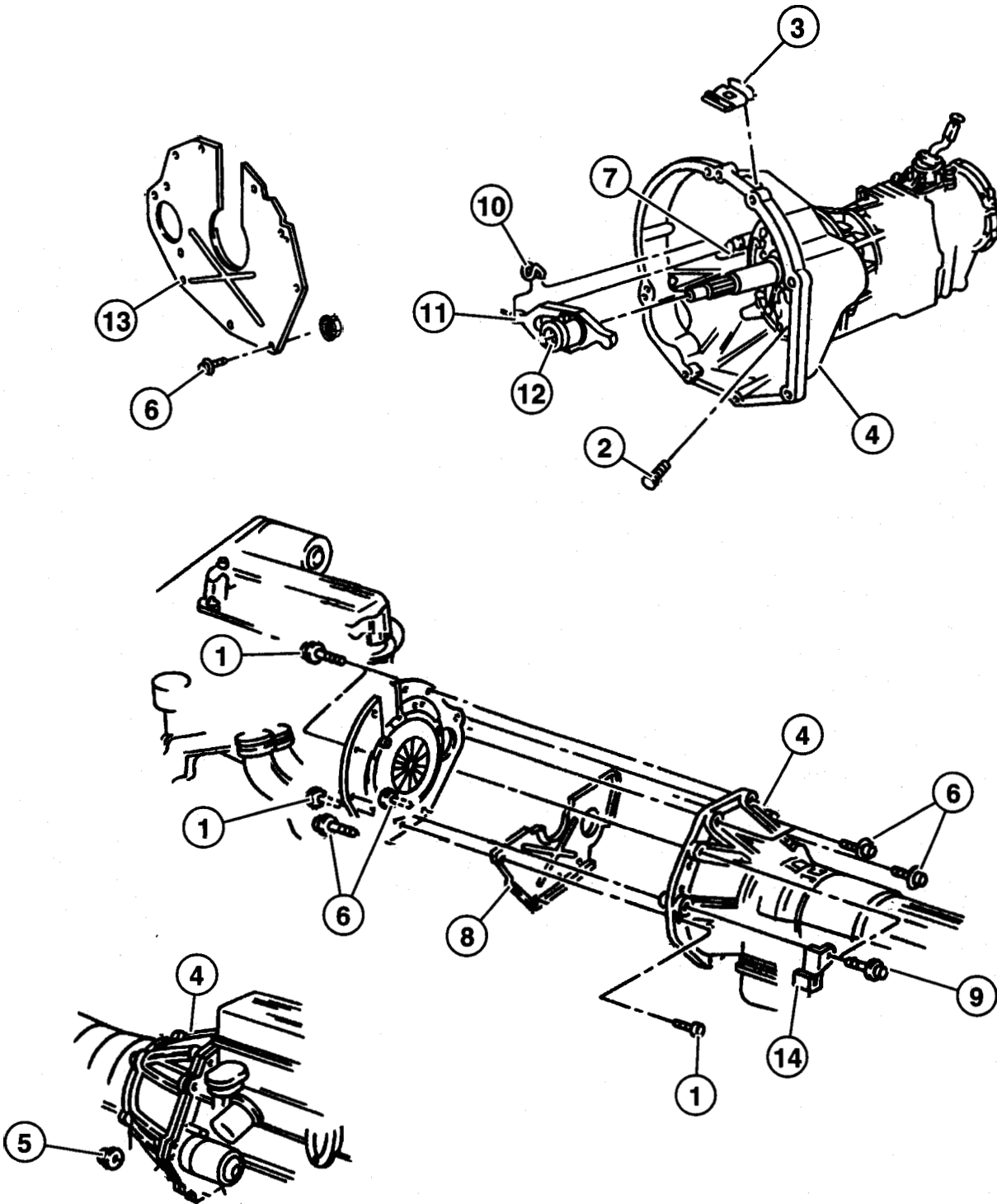
ITEM	PART	QTY	LINE	ENGINE	TRANS	DESCRIPTION
Clutch						
1						DISC, Clutch
	5210 4044	1		EN0	DBB	
	5210 7571	1		EPO	DBB	
	5300 8259	1		ERO	DD	
2						CLUTCH PACKAGE 1997 XJ, 1998 XJ
	4746 820	1		EPO	DBB	
	4864 835	1		EN0	DBB	
	4874 175	1		ERO	D	
3	1150 0221	6		EPO	DBB	WASHER, Flat
4	3420 1373	6		EPO	DBB	BOLT, Hex Head. M8x1.25x22
5						BOLT, Hex Head; .375-16x.84
	6035 626	6		EN0	DB	
	6035 626	6		ERO	DBB	

JEEP CHEROKEE (LHD) & (RHD) (XJ)

SERIES	LINE	BODY	ENGINE	TRANSMISSION
L=Low Line	J=LHD(4WD) U=RHD(4WD) B=RHD(4x2) T=LHD(4x2)	74=4 Dr. 72=2 Dr.	EN0=2.5L(ENC) Diesel ER0=4.0L(ERH) EP0=2.5L(EPE)	DG0=All Auto/Trans DGW=44RE (DGB) DDQ=5 spd. AISIN DGK=42RE (DGB) DBB=All Manual Trans. DGS=4 spd. Auto. AISIN DGD= 3 spd. Auto (DGA)

Clutch Housing

006-210



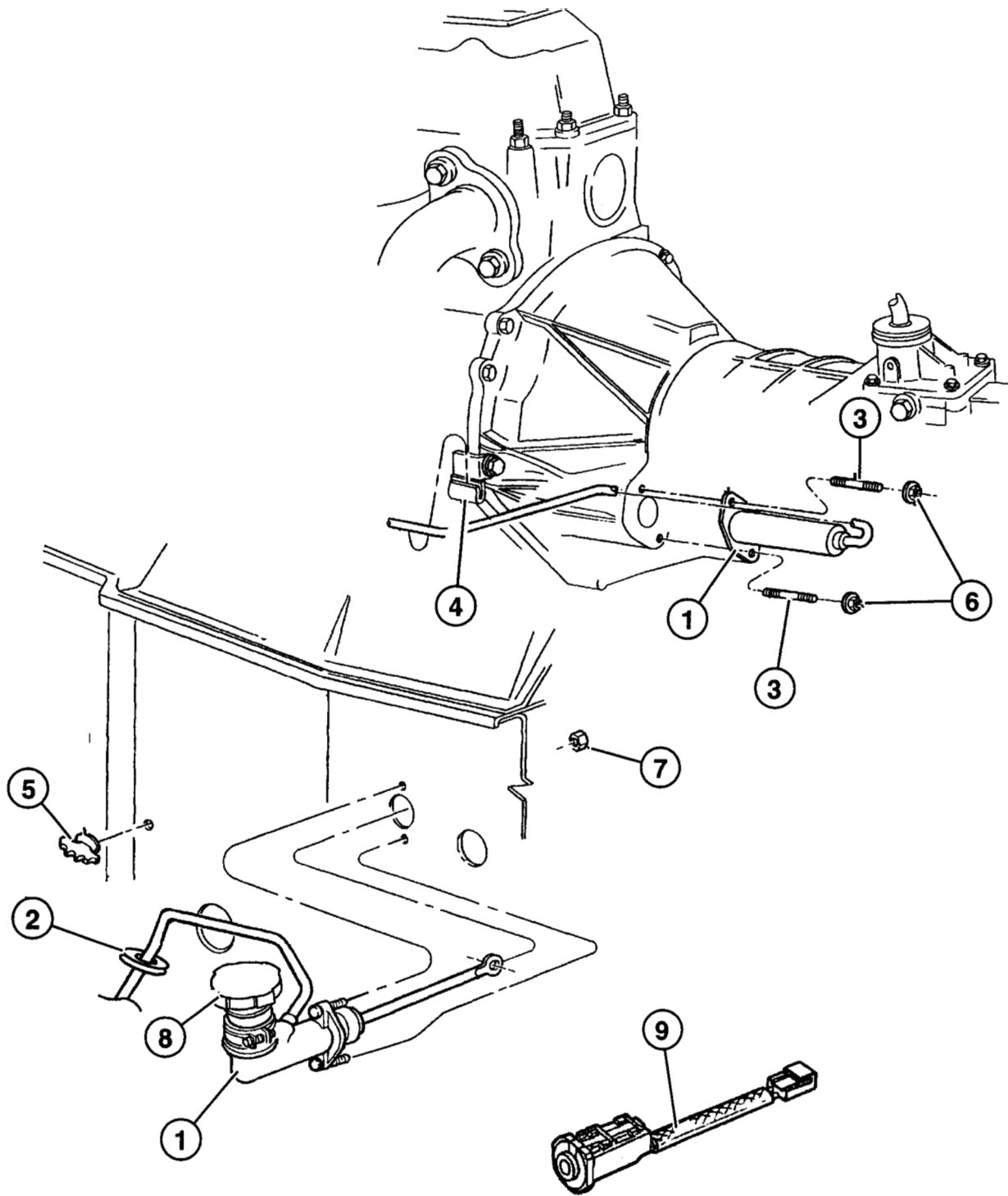
ITEM	PART	QTY	LINE	ENGINE	TRANS	DESCRIPTION
Clutch Housing						
1	11500986	3		ERO	DBB	BOLT, Hex Flange Head, M8x2.12x16
2	6503 299	9			DDQ	BOLT, Hex Head
3	5300 6010	1		EPO, ERO	DBB	GROMMET, Timing Probe
4						HOUSING Clutch
	5210 4000	1		EPO	DBB	
	5210 7552	1		ENO, ERO	DBB	
5						NUT, .375-16
	0152 344	AR			DBB	1997 XJ
	0152 344	1		EPO	DBB	1998 XJ, 1999 XJ
	0152 344	1		ENO, ERO	DBB	1998 XJ, 1999 XJ
6						BOLT, Hex Head, M12x1.75x50
	1150 4922	AR		EPO, ERO	DBB	1997 XJ
	1150 4922	2		EPO	DBB	1998 XJ, 1999 XJ
	1150 4922	2		ERO	DBB	1998 XJ, 1999 XJ
7						PIVOT, Clutch Release
	5208 7542	1		ENO, ERO	DBB	
	5208 7542	1		EPO	DBB	1997 XJ
8	5300 3382	1		EPO	DBB	COVER, Transmission Case
9	3420 1837	2		EPO	DBB	BOLT, Hex Flange Head, M12x1.75x90
10	4338 855	1			DBB	SPRING Clutch Release
11	5210 7555	1			DBB	FORK, Clutch Release
12	5300 8342	1			DBB	BEARING, Clutch Release
13						SPACER, Clutch Housing
	5300 4473	1		ERO	DBB	1997 XJ, 1998 XJ
	53004 473AB	1		ERO	DBB	1999 XJ
14	5210 7595	1			DBB	BRACKET, Clutch Tube

JEEP CHEROKEE (LHD) & (RHD) (XJ)

SERIES	LINE	BODY	ENGINE	TRANSMISSION
L=Low Line	J=LHD(4WD) U=RHD(4WD) B=RHD(4x2) T=LHD(4x2)	74=4 Dr. 72=2 Dr.	ENO=2.5L(ENC) Diesel ERO=4.0L(ERH) EPO=2.5L(EPE)	DG0=All Auto/Trans DGW=44RE (DGB) DDQ=5 spd. AISIN DGK=42RE (DGB) DBB=All Manual Trans. DGS=4 spd. Auto. AISIN DGD=3 spd. Auto (DGA)

Clutch Control

006-320



**1997-99 JEEP CHEROKEE (XJ)
PARTS CATALOG**

Figure 006-320
Page 006-9

Clutch

ITEM	PART	QTY	LINE	ENGINE	TRANS	DESCRIPTION
Clutch Control						
1						HYDRAULIC CONTROL, Clutch Actuator
	5210 7654	1	J		DBB	1997 XJ
	5210 7655	1	B	EPO, ERO	DBB	1997 XJ
	5210 7657	1	U	ENO	DBB	1997 XJ
	52107 654AB	1	J, T		DBB	1998 XJ, 1999 XJ
	52107 655AB	1	B, U	EPO, ERO	DBB	1998 XJ, 1999 XJ
	52107 657AB	1	U	ENO	DBB	1998 XJ, 1999 XJ
						LIP T...
	3420 1633	1	J	EPO, ERO	DBB	1997 XJ
	3420 1633	1	J, T	EPO, ERO	DBB	1998 XJ, 1999 XJ
3	6032 878	2			DBB	STUD, .312-18x2.00
4	5210 7595	1			DBB	BRACKET, Clutch Tube
5	5212 8060	3	B, U			CLIP, Five Way
6	0152 472	2			DBB	NUT, Hex Flange Lock, .312-18
7	J400 3909	4				NUT, Hex Flange With Serration
8						COVER, Hydraulic Control Unit
	4883 544AA	1	U	ENO	DBB	
	4883 544AA	1	J		DBB	1997 XJ
	4883 544AA	1	J, T		DBB	1999 XJ
	4883 544AA	1	B, U	EPO, ERO	DBB	1999 XJ
9						SWITCH, Clutch Starter Interlock
	5300 7944	1	J, T		DBB	1997 XJ
	5300 7944	1	U	ENO	DBB	1997 XJ
	5300 7944	1	B, U	EPO, ERO	DBB	1997 XJ
	53007 944AB	1	J, T		DBB	1998 XJ, 1999 XJ
	53007 944AB	1	U	ENO	DBB	1998 XJ, 1999 XJ
	53007 944AB	1	B, U	EPO, ERO	DBB	1998 XJ, 1999 XJ

JEEP CHEROKEE (LHD) & (RHD) (XJ)

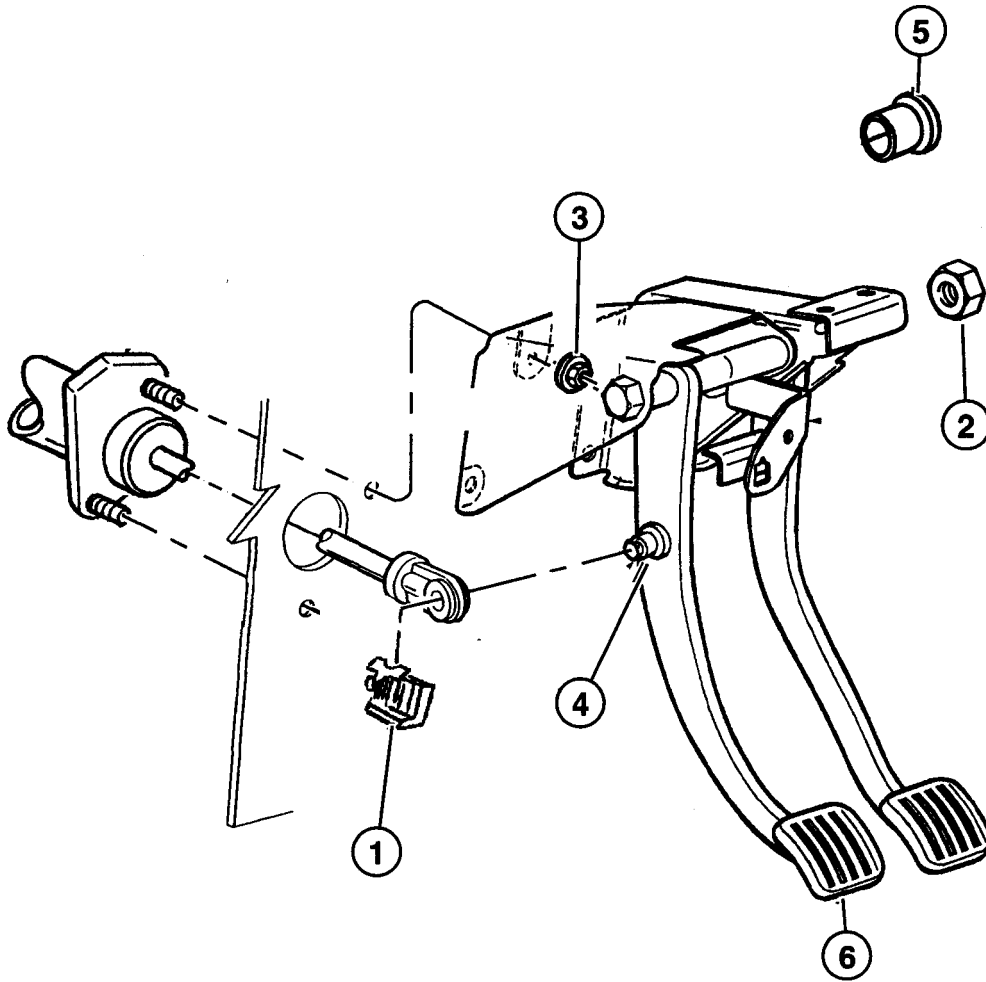
SERIES	LINE	BODY	ENGINE	TRANSMISSION
L=Low Line	J=LHD(4WD) U=RHD(4WD) B=RHD(4x2) T=LHD(4x2)	74=4 Dr. 72=2 Dr.	ENO=2.5L(ENC) Diesel ERO=4.0L(ERH) EPO=2.5L(EPE)	DG0=All Auto/Trans DGW=44RE (DGB) DDQ=5 spd. AISIN DGK=42RE (DGB) DBB=All Manual Trans. DGS=4 spd. Auto. AISIN DGD= 3 spd. Auto (DGA)

AR = Use as Required; * = Non-Illustrated Part; # = New This Model Year

June 1998

Pedal Clutch

006-420



ITEM	PART	QTY	LINE	ENGINE	TRANS	DESCRIPTION
Pedal Clutch						
1	6035 334	1				CLIP, Brake Push Rod
2						NUT, Engine Mounting, M12 x 1.75, Not used for 1998 (NOT REQUIRED), 1998 XJ, 1999 XJ
	6502 585	1	J		DBB	1997 XJ
3	J400 3909	2			DBB	NUT, Hex Flange With Serration
4	4446 361	1				BUSHING, Hydraulic Clutch Actuator
5						BUSHING, Clutch and Brake Pedal, Not used for 1998 (NOT REQUIRED), 1998 XJ, 1999 XJ
	4294 639	4	B		DBB	1997 XJ
	4294 639	4	J		DBB	1997 XJ
6						PAD, clutch
	5200 2750	1	J, T		DBB	
	5200 2750	1	B, U		DBB	1997 XJ, 1998 XJ

JEEP CHEROKEE (LHD) & (RHD) (XJ)

SERIES	LINE	BODY	ENGINE	TRANSMISSION
L=Low Line	J=LHD(4WD) U=RHD(4WD) B=RHD(4x2) T=LHD(4x2)	74=4 Dr. 72=2 Dr.	EN0=2.5L(ENC) Diesel ER0=4.0L(ERH) EP0=2.5L(EPE)	DG0=All Auto/Trans DGW=44RE (DGB) DDQ=5 spd. AISIN DGK=42RE (DGB) DBB=All Manual Trans. DGS=4 spd. Auto. AISIN DGD = 3 spd. Auto (DGA)

ITEM	PART	QTY	LINE	ENGINE	THANS	DESCRIPTION
------	------	-----	------	--------	-------	-------------

Pedal Clutch

JEEP CHEROKEE (LHD) & (RHD) (XJ)

SERIES	LINE	BODY	ENGINE	TRANSMISSION
L=Low Line	J=LHD(4WD) U=RHD(4WD) B=RHD(4x2) T=LHD(4x2)	74=4 Dr. 72=2 Dr.	EN0=2.5L(ENC) Diesel ER0=4.0L(ERH) EP0=2.5L(EPE)	DG0=All Auto/Trans DGW=44RE (DGB) DDQ=5 spd. AISIN DGK=42RE (DGB) DBB=All Manual Trans. DGS=4 spd. Auto. AISIN DGD= 3 spd. Auto (DGA)