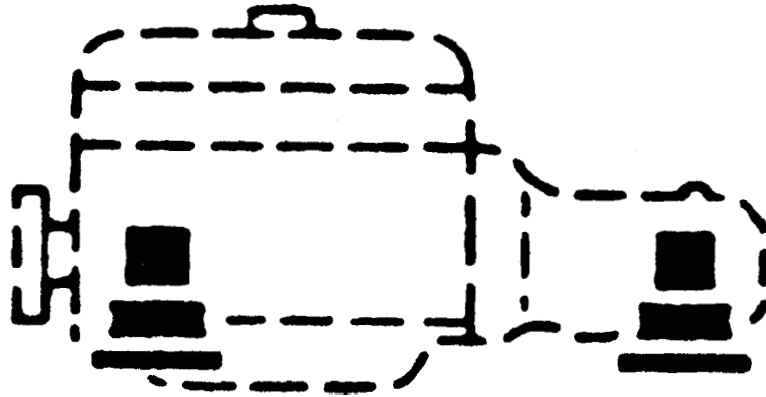



Group - 009

Engine Mounting



<p>009-100 Engine Mounting</p> 			
--	--	--	--

Group 009 - Engine Mounting

Engine Mounting

009 100

Engine Mounting, Front 2.5L EngineFig. 009-110
 Engine Mounting, Rear 2.5L Engine 1997 XJ 1998 XJFig. 009-120
 Engine Mounting, Rear 2.5L Engine 1999 XJFig. 009-120
 Engine Mounting, Front 2.5L Diesel Engine.Fig. 009-130
 Engine Mounting, Rear 2.5L Diesel EngineFig. 009-140
 Engine Mounting, Front 4.0L EngineFig. 009-150
 Engine Mounting, Rear 4.0L Engine.Fig. 009-160

JEEP CHEROKEE (LHD) & (RHD) (XJ)

SERIES	LINE	BODY	ENGINE	TRANSMISSION
L=Low Line	J=LHD(4WD) U=RHD(4WD) B=RHD(4x2) T=LHD(4x2)	74=4 Dr. 72=2 Dr.	EN0=2.5L(ENC) Diesel ER0=4.0L(ERH) EP0=2.5L(EPE)	DG0=All Auto/Trans DGW=44RE (DGB) DDQ=5 spd.AISIN DGK=42RE (DGB) DBB=All ManualTrans. DGS=4 spd. Auto. AISIN DGD= 3 spd. Auto (DGA)

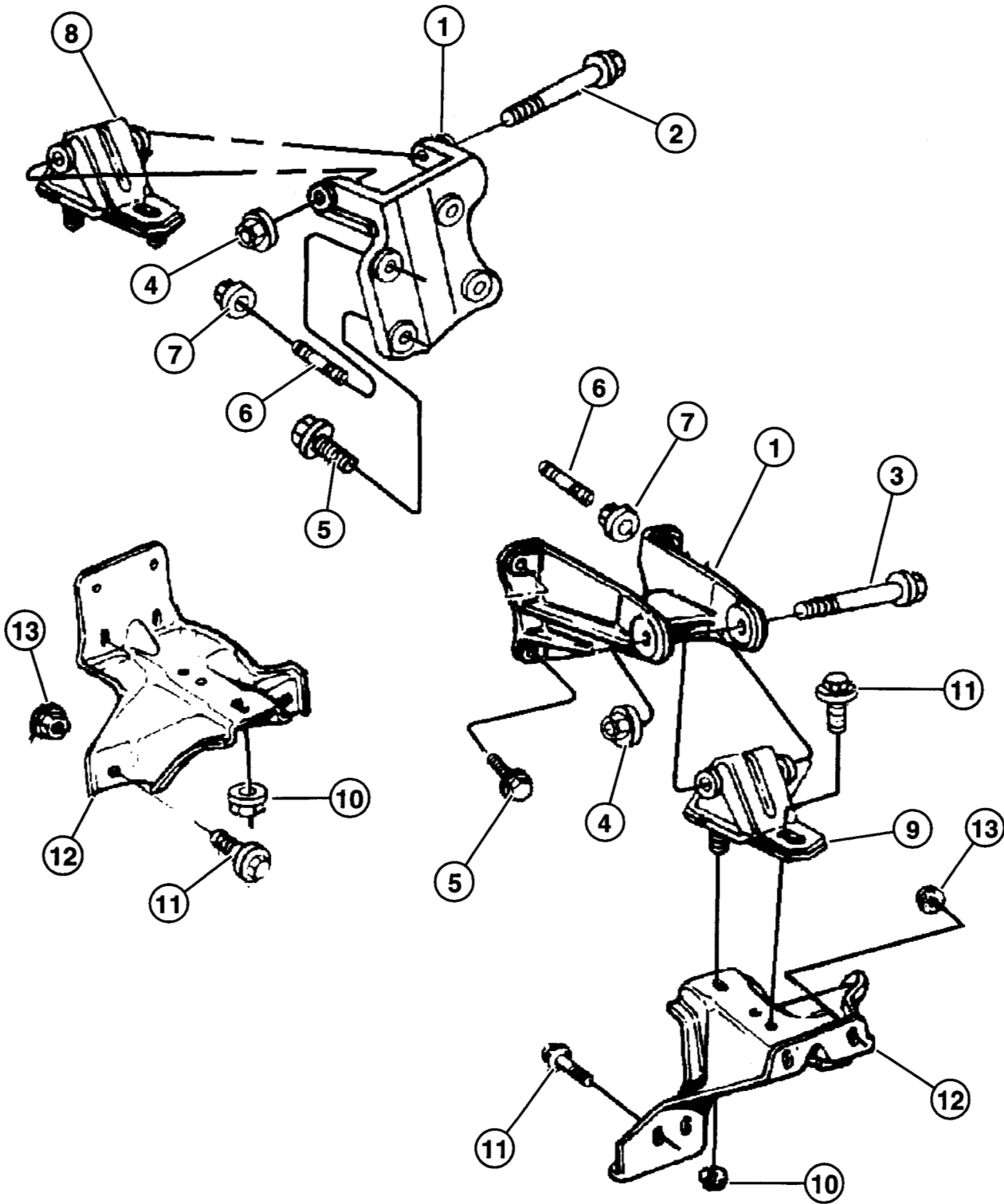
Group 009 - Engine Mounting

JEEP CHEROKEE (LHD) & (RHD) (XJ)

SERIES	LINE	BODY	ENGINE	TRANSMISSION
L=Low Line	J=LHD(4WD) U=RHD(4WD) B=RHD(4x2) T=LHD(4x2)	74=4 Dr. 72=2 Dr.	EN0=2.5L(ENC) Diesel ER0=4.0L(ERH) EP0=2.5L(EPE)	DG0=All Auto/Trans DGW=44RE (DGB) DDQ=5 spd. AISIN DGK=42RE (DGB) DBB=All Manual Trans. DGS=4 spd. Auto. AISIN DGD = 3 spd. Auto (DGA)

Engine Mounting, Front
2.5L Engine

009-110



**1997-99 JEEP CHEROKEE (XJ)
PARTS CATALOG**

Figure 009-110
Page 009-5

Engine Mounting

ITEM	PART	QTY	LINE	ENGINE	TRANS	DESCRIPTION
Engine Mounting, Front 2.5L Engine						
1						BRACKET, Engine Mount
	5201 7731	1		EPO	DBB	Right, 1997 XJ
	5201 7731	1	B, U	EPO	DBB	Right, 1998 XJ, 1999 XJ
	5201 8450	1		EPO	DGD	Right, 1997 XJ
	52018 450AB	1	J, T	EPO		Right, 1998 XJ, 1999 XJ
	5205 8877	1		EPO	DGD	Left, 1997 XJ
	52058877AB	1	J, T	EPO		Left, 1998 XJ, 1999 XJ
	5206 0003	1		EPO	DBB	Left, 1997 XJ
	5206 0003	1	B, U	EPO	DBB	Left, 1998 XJ, 1999 XJ
2						BOLT, Square Neck, M12x1.75x130
	6101 742	1		EPO		Right, 1997 XJ
	6101 742	1	B, U	EPO		Right, 1998 XJ, 1999 XJ
3						BOLT, Hex Flange Head, M12-1.75x125
	3420 1959	1		EPO		Left, 1997 XJ
	3420 1959	1	B, U	EPO		Left, 1998 XJ, 1999 XJ
4	6502 697	2				NUT, Hex Flange Lock, M12x1.75
5						SCREW, Hex Head, .375-16x1.125
	6034 989	5		EPO		1997 XJ
	6034 989	4		EPO	DBB	1999 XJ
	6034 989	4		EPO	DGD	1998 XJ
	6034 989	5		EPO	DBB	1998 XJ
	6034 989	5		EPO	DGD	1999 XJ
6						STUD, .375-16x2.00"
	6033 883	1		EPO		1997 XJ
	6033 883	3		EPO	DBB	1998 XJ, 1999 XJ
	6033 883	4		EPO	DGD	1998 XJ, 1999 XJ
7						NUT, Hex Flange Lock, .375-16
	0152 344	1		EPO	DBB	1997 XJ, 1998 XJ
	0152 474	2		EPO	DBB	1999 XJ
	0152 474	2		EPO	DGD	1999 XJ
8						INSULATOR, Engine Mount
	J324 2728	1	B	EPO	DBB	Right, 1997 XJ
	J324 2728	1	B, U	EPO	DBB	Right, 1998 XJ, 1999 XJ
9						CUSHION, Engine Support
	5200 7394	1		EPO	DBB	Left, 1997 XJ
	5200 7394	1	B, U	EPO	DBB	Left, 1998 XJ, 1999 XJ
10						NUT, Hex Flange, M10x1.5 (NOT SERVICED), 1999 XJ
	6502 135	4				1997 XJ, 1998 XJ
11						SCREW AND WASHER, M10x1.5x40
	6504 511	1		EPO		1997 XJ
	6504 511	1	B	EPO		1998 XJ
	6504 511	2		EPO, ERO		1999 XJ
12						BRACKET, Engine Mount
	5200 3005	1		EPO	DBB	Left, 1997 XJ
	5200 3005	1	B, U	EPO	DBB	Left, 1998 XJ, 1999 XJ
	52019 010AB	1	J, T	ERO		1997 XJ
	5202 0219	1		EPO	DGD	Left, 1997 XJ
	52020 219AB	1	J, T	EPO		Left, 1998 XJ, 1999 XJ
	5205 8808	1	J	EPO	DBB	Right, 1997 XJ
	5205 9030	1	B, U	EPO	DBB	Right, 1998 XJ, 1999 XJ

JEEP CHEROKEE (LHD) & (RHD) (XJ)

SERIES	LINE	BODY	ENGINE	TRANSMISSION
L=Low Line	J=LHD(4WD) U=RHD(4WD) B=RHD(4x2) T=LHD(4x2)	74=4 Dr. 72=2 Dr.	EN0=2.5L(ENC) Diesel ER0=4.0L(ERH) EP0=2.5L(EPE)	DG0=All Auto/Trans DGW=44RE (DGB) DDQ=5 spd. AISIN DGK=42RE (DGB) DBB=All Manual Trans. DGS=4 spd. Auto. AISIN DGD = 3 spd. Auto (DGA)

ITEM	PART	QTY	LINE	ENGINE	TRANS	DESCRIPTION
Engine Mounting, Front 2.5L Engine						
13	52059 010AB	1	J, T	EP0		Right, 1998 XJ, 1999 XJ NUT, Hex Flange, M8x1.25
	3420 1416	4		EN0		1997 XJ
	3420 1416	4		EPO		1998 XJ, 1999 XJ

JEEP CHEROKEE (LHD) & (RHD) (XJ)

SERIES	LINE	BODY	ENGINE	TRANSMISSION
L=Low Line	J=LHD(4WD) U=RHD(4WD) B=RHD(4x2) T=LHD(4x2)	74=4 Dr. 72=2 Dr.	EN0=2.5L(ENC) Diesel ER0=4.0L(ERH) EP0=2.5L(EPE)	DG0=All Auto/Trans DGW=44RE (DGB) DDQ=5 spd. AISIN DGK=42RE (DGB) DBB=All Manual Trans. DGS=4 spd. Auto. AISIN DGD = 3 spd. Auto (DGA)

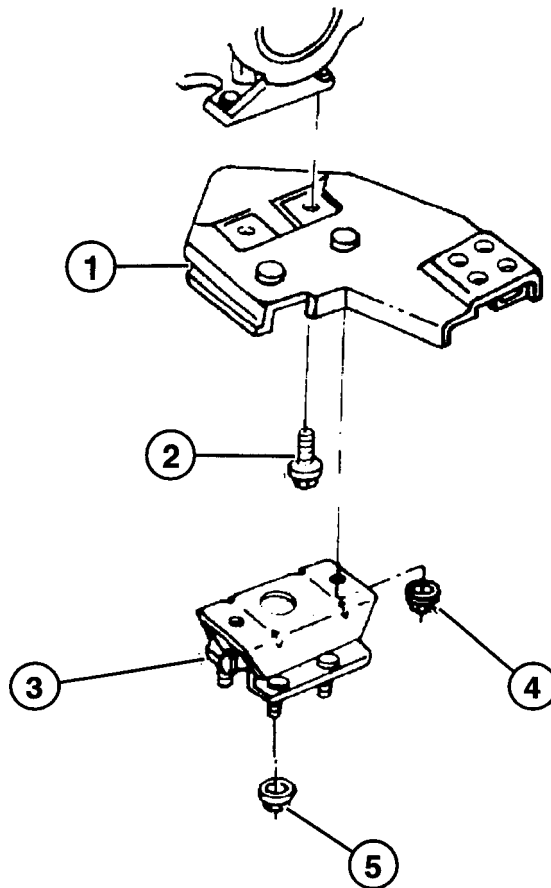
ITEM	PART	QTY	LINE	ENGINE	TRANS	DESCRIPTION
------	------	-----	------	--------	-------	-------------

**Engine Mounting, Front
2.5L Engine**

JEEP CHEROKEE (LHD) & (RHD) (XJ)				
SERIES	LINE	BODY	ENGINE	TRANSMISSION
L=Low Line	J=LHD(4WD)	74=4 Dr.	EN0=2.5L(ENC) Diesel	DG0=All Auto/Trans
	U=RHD(4WD)	72=2 Dr.	ER0=4.0L(ERH)	DGW=44RE (DGB)
	B=RHD(4x2)		EP0=2.5L(EPE)	DDQ=5 spd. AISIN
	T=LHD(4x2)			DGK=42RE (DGB)
				DBB=All Manual Trans.
				DGS=4 spd. Auto. AISIN
				DGD = 3 spd. Auto (DGA)

Engine Mounting, Rear
2.5L Engine 1997 XJ 1998 XJ

009-120



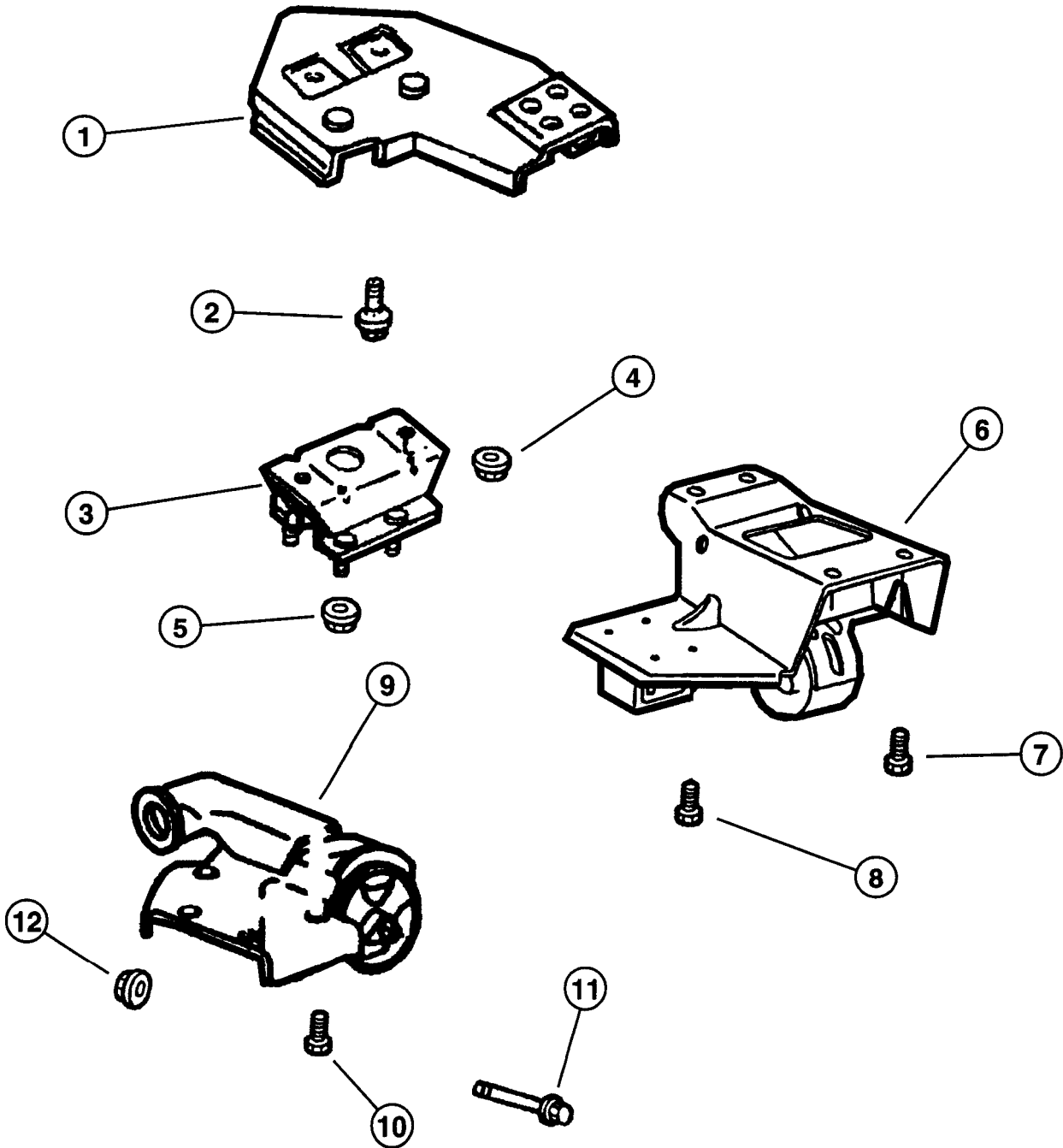
ITEM	PART	QTY	LINE	ENGINE	TRANS	DESCRIPTION
Engine Mounting, Rear 2.5L Engine 1997 XJ 1998 XJ						
1	5205 8885	1		EPO	DBB	BRACKET, Support Rear 1997 XJ
	5205 8885	1	B, U	EPO	DBB	1998 XJ
2						BOLT, (NOT SERVICED)
3						INSULATOR, Engine Mount
	5200 1180	1	J	EPO	DBB	1997 XJ
	5200 1180	1	U	EPO	DBB	1998 XJ
	5200 7393	1	B	EPO	DBB	
4	6502 135	2				NUT, Hex Flange, M10x1.5
5	6101 695	4				NUT, Hex Flange Lock, M8x1.25

JEEP CHEROKEE (LHD) & (RHD) (XJ)

SERIES	LINE	BODY	ENGINE	TRANSMISSION
L=Low Line	J=LHD(4WD) U=RHD(4WD) B=RHD(4x2) T=LHD(4x2)	74=4 Dr. 72=2 Dr.	EN0=2.5L(ENC) Diesel ER0=4.0L(ERH) EP0=2.5L(EPE)	DG0=All Auto/Trans DGW=44RE (DGB) DDQ=5 spd. AISIN DGK=42RE (DGB) DBB=All Manual Trans. DGS=4 spd. Auto. AISIN DGD = 3 spd. Auto (DGA)

Engine Mounting, Rear
2.5L Engine 1999 XJ

009-120



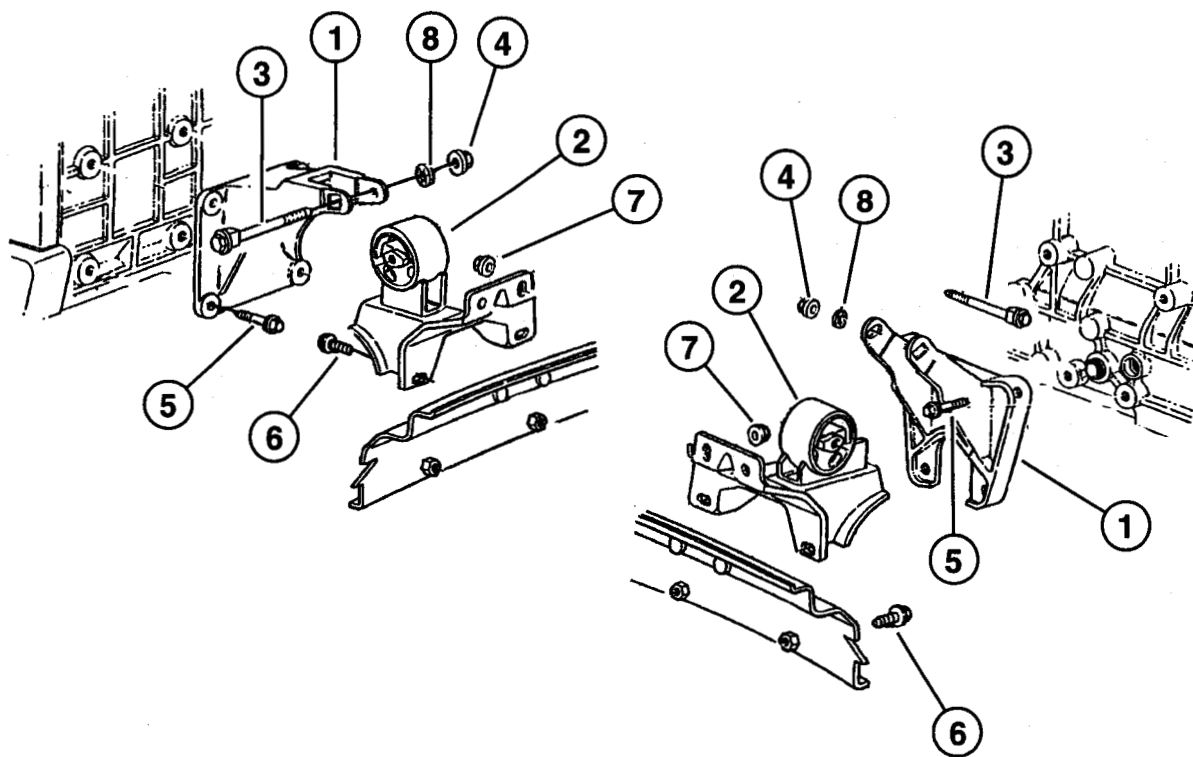
ITEM	PART	QTY	LINE	ENGINE	TRANS	DESCRIPTION
Engine Mounting, Rear 2.5L Engine 1999 XJ						
1	52058 885AB	1	B, U	EPO	DBB	BRACKET, Support Rear
2						BOLT, (NOT SERVICED)
3						INSULATOR, Engine Mount
	5200 1180	1	U	EPO	DBB	
	5200 7393	1	B	EPO	DBB	
4						NUT, Hex Flange, M10x1.5, (NOT SERVICED)
5	6101 695	4				NUT, Hex Flange Lock, M8x1.25
6	52058 885AB	1	I	EPO	DGD	BRACKET, Transmission Mount
7	6033 358	2	J, T	EPO	DGD	SCREW AND WASHER, Hex Head Locking, .437-14x1.25
8	6028 606	2	T	EPO	DGD	SCREW AND WASHER, Hex Head Lock, .312-18x1.00
9						BRACKET, Transmission Mount
	52059 149AA	1	T	EPO	DBB	
	52059 150AA	1	J	EPO	DBB	
10						SCREW, .437-14x1.12, (NOT SERVICED)
11						BOLT, Hex Flange Head: M12x1.75x110
	6502 809	1	J, T	EPO	DBB	
	6502 809	1	J, I	EPO	DGD	
12	6502 697	1				NUT, Hex Flange Lock, M12x1.75

JEEP CHEROKEE (LHD) & (RHD) (XJ)

SERIES	LINE	BODY	ENGINE	TRANSMISSION
L=Low Line	J=LHD(4WD) U=RHD(4WD) B=RHD(4x2) T=LHD(4x2)	74=4 Dr. 72=2 Dr.	EN0=2.5L(ENC) Diesel ER0=4.0L(ERH) EP0=2.5L(EPE)	DG0=All Auto/Trans DGW=44RE (DGB) DDQ=5 spd. AISIN DGK=42RE (DGB) DBB=All Manual Trans. DGS=4 spd. Auto. AISIN DGD= 3 spd. Auto (DGA)

Engine Mounting, Front
2.5L Diesel Engine

009-130



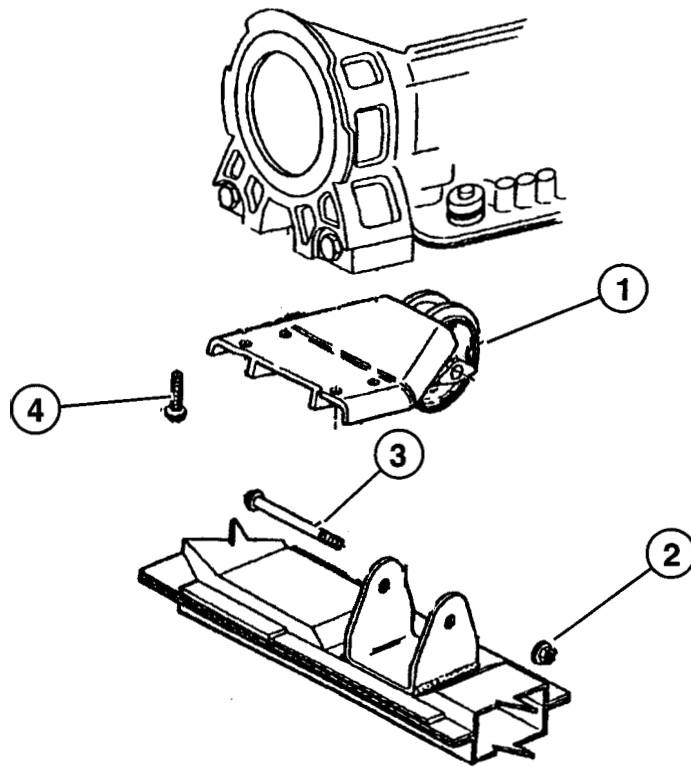
ITEM	PART	QTY	LINE	ENGINE	TRANS	DESCRIPTION
Engine Mounting, Front 2.5L Diesel Engine						
1						BRACKET, Engine Mount
	5205 9102	1		EN0		Left
	5205 9114	1		EN0		Right
2						BRACKET, Engine Mount
	5205 9200	1		EN0		Right
	5205 9201	1		EN0		Left
3	6101 742	2		EN0	DDQ	BOLT, Square Neck, M12x1.75x130
4	6502 697	2				NUT, Hex Flange Lock, M12x1.75
5	6101 238	8		EN0		SCREW, Header Point, M10x1.50x25.00
6	6504511	4		EN0		SCREW AND WASHER, M10x1.5x40
7						NUT, Hex Flange, M8x1.25
		4		EPO		1997 XJ
	3420 1416	4		EN0		1998 XJ, 1999 XJ
8						NUT, M12, (NOT SERVICED)

JEEP CHEROKEE(LHD) & (RHD) (XJ)

SERIES	LINE	BODY	ENGINE	TRANSMISSION
L=Low Line	J=LHD(4WD) U=RHD(4WD) B=RHD(4x2) T=LHD(4x2)	74=4 Dr. 72=2 Dr.	EN0=2.5L(ENC) Diesel ER0=4.0L(ERH) EP0=2.5L(EPE)	DG0=All Auto/Trans DGW=44RE (DGB) DDQ=5 spd. AISIN DGK=42RE (DGB) DBB=All Manual Trans. DGS=4 spd. Auto. AISIN DGD = 3 spd. Auto (DGA)

Engine Mounting, Rear
2.5L Diesel Engine

009-140



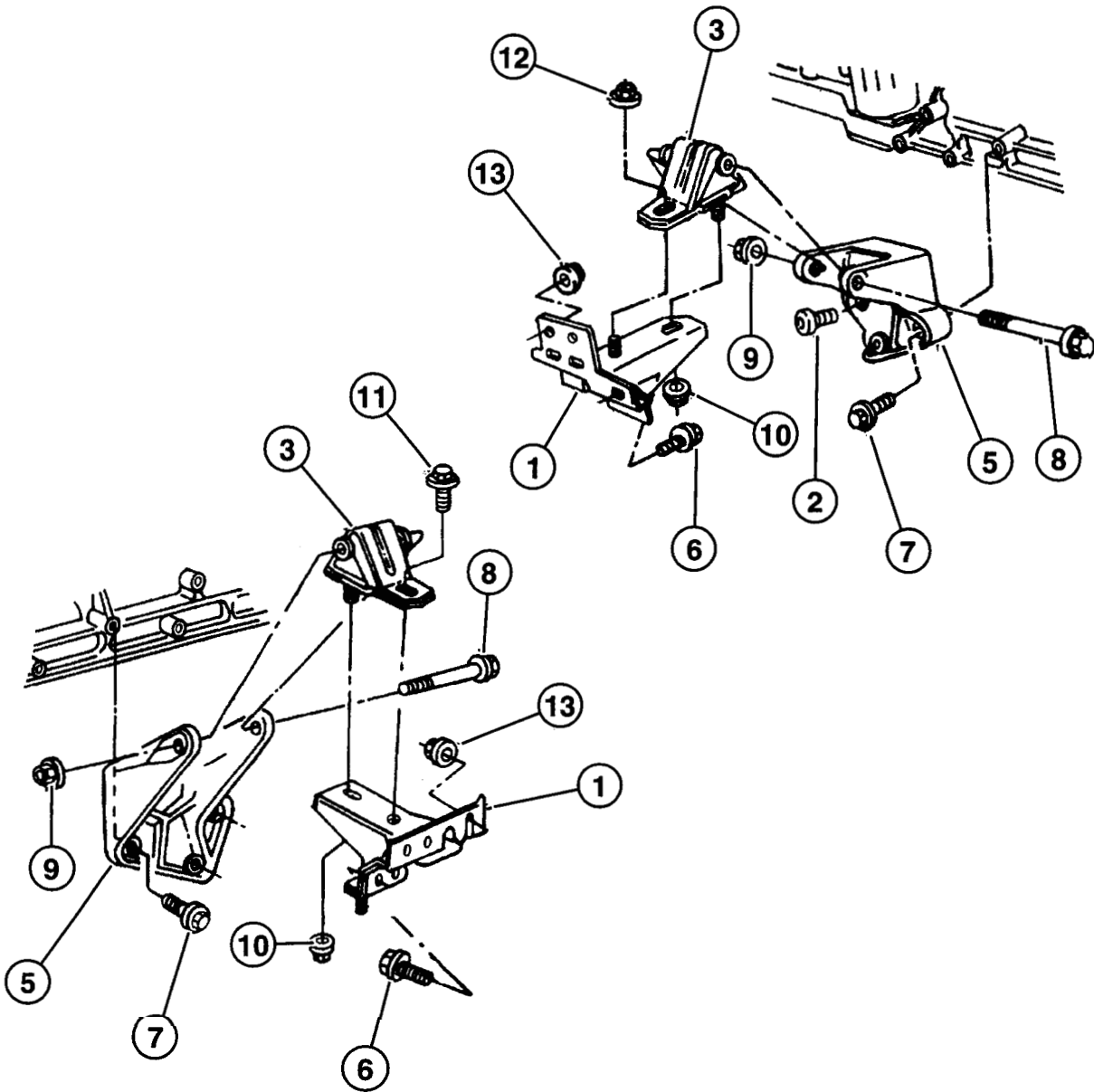
ITEM	PART	QTY	LINE	ENGINE	TRANS	DESCRIPTION
Engine Mounting, Rear 2.5L Diesel Engine						
1	5205 8539	1		ENC	DDQ	ISOLATOR, Transmission Mount
2						NUT, Hex Flange Lock, M12x1.75
	6502 697	2				1999 XJ
	6502 697	1				1997 XJ, 1998 XJ
3	3420 2606	1		ENC	DDQ	BOLT, Hex Head
4						BOLT AND CONED WASHER, Hex Head, .437-14x1.12, (NOT SERVICED)

JEEP CHEROKEE (LHD) & (RHD) (XJ)

SERIES	LINE	BODY	ENGINE	TRANSMISSION
L=Low Line	J=LHD(4WD) U=RHD(4WD) B=RHD(4x2) T=LHD(4x2)	74=4 Dr. 72=2 Dr.	EN0=2.5L(ENC) Diesel ER0=4.0L(ERH) EP0=2.5L(EPE)	DG0=All Auto/Trans DGW=44RE (DGB) DDQ=5 spd. AISIN DGK=42RE (DGB) DBB=All Manual Trans. DGS=4 spd. Auto. AISIN DGD = 3 spd. Auto (DGA)

Engine Mounting, Front
4.0L Engine

009-150



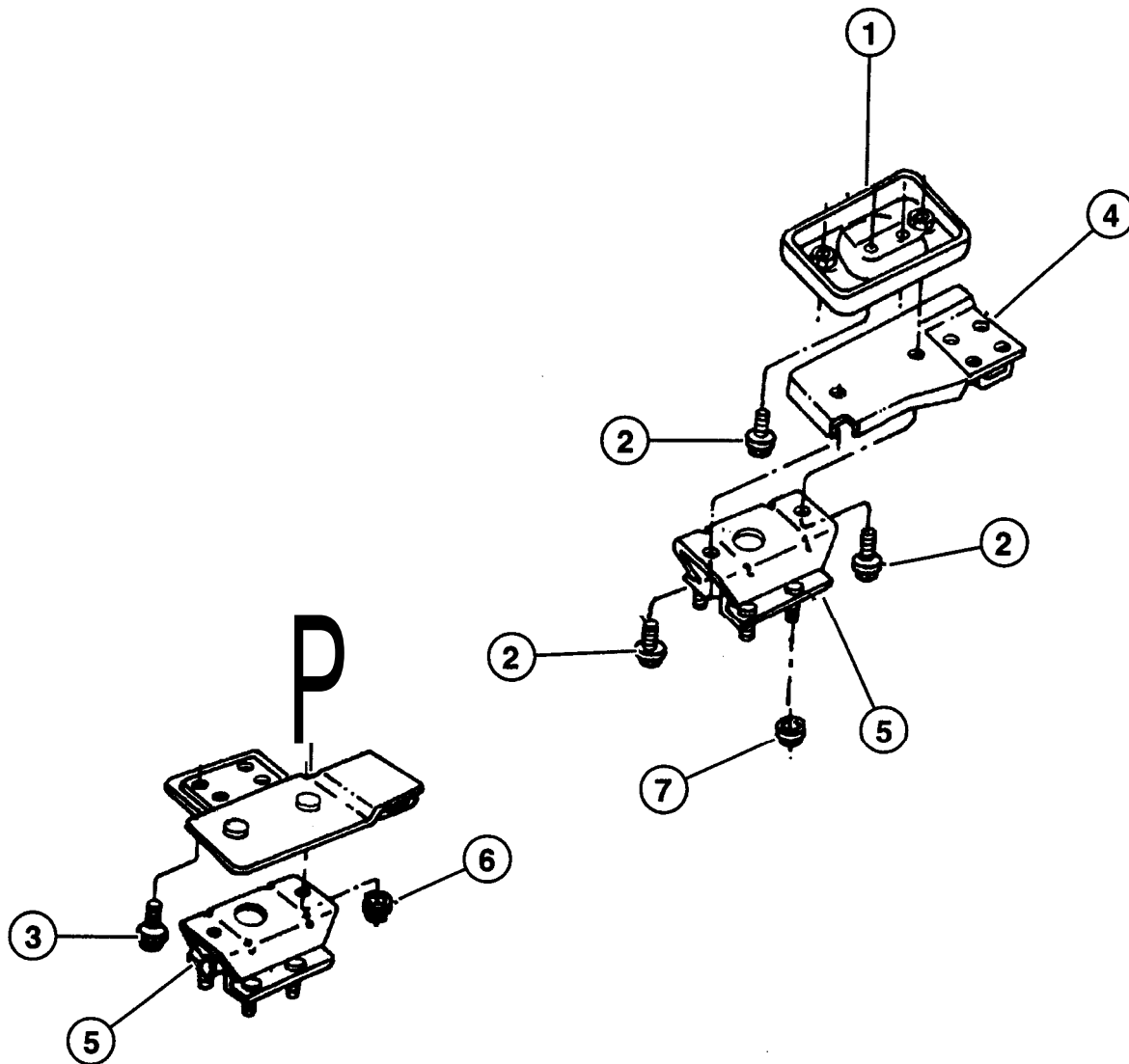
ITEM	PART	QTY	LINE	ENGINE	TRANS	DESCRIPTION
Engine Mounting, Front 4.0L Engine						
1						BRACKET, Engine Mount
	52002 603AC	1		ERO		Left, 1998 XJ, 1999 XJ
	52019 01OAB	1	J, T	ERO		1997 XJ
	52019 010AB	1	J, T	ERO		Right, 1998 XJ
	52019 010AC	1	J, T	ERO		Right, 1999 XJ
	5205 8424	1	B	ERO		Right, 1997 XJ
	52058 424AB	1	B, U	ERO		R.W.A.L. Ground Attaching, 1998 XJ
	52058 424AC	1	B, U	ERO		Right, 1999 XJ
2						SCREW, Hex Head. .375-16x1.125
	6034 989	1		ERO		1999 XJ
	J400 7560	1		ERO		1997 XJ, 1998 XJ
3						CUSHION, Engine Support
	52019 201AB	2	J, T	ERO		
	52019 201AB	1	B, U	ERO		Right, 1998 XJ
	52019 201AB	1	B, U	ERO		1997 XJ, 1999 XJ
-4						INSULATOR, Engine Mount
	5202 0018	1	B	ERO		Right, 1997 XJ
	5202 0018	1	B, U	ERO		Left, 1998 XJ, 1999 XJ
5						BRACKET, Engine Mount
	5200 2607	1		ERO		Left, 1997 XJ, 1998 XJ
	52002 607AB	1		ERO		Left, 1999 XJ
	5202 0270	1		ERO		Right
6						SCREW AND WASHER, M10x1.5x40
	6504 511	2		EPO, ERO		1999 XJ
	6504 511	1		ERO		1997 XJ, 1998 XJ
?						SCREW, Hex Head, .375-16x1.125
	6034 989	5		EPO		1997 XJ
	6034 989	5		ERO		1998 XJ, 1999 XJ
8	3420 2606	2		ERO		BOLT, Hex Head
9	6502 697	4				NUT, Hex Flange Lock, M12x1.75
10						NUT, M10x1.50 (NOT SERVICED), 1999 XJ
	3420 1828	2		ERO		1997 XJ, 1998 XJ
11						SCREW AND WASHER, M10x1.5x40
	6504 511	2		EPO, ERO		1999 XJ
	04 511	1		ERO		1997 XJ, 1998 XJ
12	6502 135	1	J, T	ERO		NUT, Hex Flange, M10x1.5
13	3420 1416	3		ERO		NUT, Hex Flange, M8x1.25

JEEP CHEROKEE (LHD) & (RHD) (XJ)

SERIES	LINE	BODY	ENGINE	TRANSMISSION
L=Low Line	J=LHD(4WD) U=RHD(4WD) B=RHD(4x2) T=LHD(4x2)	74=4 Dr. 72=2 Dr.	EN0=2.5L(ENC) Diesel ER0=4.0L(ERH) EP0=2.5L(EPE)	DG0=All Auto/Trans DGW=44RE (DGB) DDQ=5 spd. AISIN DGK=42RE (DGB) DBB=All Manual Trans. DGS=4 spd. Auto. AISIN DGD= 3 spd. Auto (DGA)

Engine Mounting, Rear
4.0L Engine

009-160



ITEM	PART	QTY	LINE	ENGINE	TRANS	DESCRIPTION
Engine Mounting, Rear 4.0L Engine						
1	5200 2337	1	B	ERO	DGO	BRACKET, Engine Mount 1997 XJ
	5200 2337	1	B, T	ERO	DGO	1998 XJ, 1999 XJ
2						BOLT, Hex Flange Head, M12x1.75x25
	5201 7887	2	B	ERO	DGO	1997 XJ
	5201 7887	2	B, T	ERO	DGO	1998 XJ, 1999 XJ
3						BOLT, Hex Head, .437-14x1.25 (NOT SERVICED), 1998 XJ, 1999 XJ
	J400 7162	4		ERO	DBB	1997 XJ
4						BRACKET, Transmission Mount
	5205 8882	1		ERO	DGO	
	5205 8883	1		ERO	DDQ	
5	5200 2334	1		ERO		ISOLATOR, Transmission Mount
6	6502 697	2				NUT, Hex Flange Lock, M12x1.75
7						NUT, Hex Flange Lock, M8x1.25 1997 XJ
	6101 695	4		ERO		1998 XJ, 1999 XJ

JEEP CHEROKEE (LHD) & (RHD) (XJ)

SERIES	LINE	BODY	ENGINE	TRANSMISSION
L=Low Line	J=LHD(4WD) U=RHD(4WD) B=RHD(4x2) T=LHD(4x2)	74=4 Dr. 72=2 Dr.	EN0=2.5L(ENC) Diesel ER0=4.0L(ERH) EP0=2.5L(EPE)	DG0=All Auto/Trans DGW=44RE (DGB) DDQ=5 spd. AISIN DGK=42RE (DGB) DBB=All Manual Trans. DGS=4 spd. Auto. AISIN DGD= 3 spd. Auto (DGA)

ITEM	PART	QTY	LINE	ENGINE	TRANS	DESCRIPTION
------	------	-----	------	--------	-------	-------------

**Engine Mounting, Rear
4.0L Engine**

JEEP CHEROKEE (LHD) & (RHD) (XJ)

SERIES	LINE	BODY	ENGINE	TRANSMISSION
L=Low Line	J=LHD(4WD) U=RHD(4WD) B=RHD(4x2) T=LHD(4x2)	74=4 Dr. 72=2 Dr.	EN0=2.5L(ENC) Diesel ER0=4.0L(ERH) EP0=2.5L(EPE)	DG0=All Auto/Trans DGW=44RE (DGB) DDQ=5 spd. AISIN DGK=42RE (DGB) DBB=All Manual Trans. DGS=4 spd. Auto. AISIN DGD = 3 spd. Auto (DGA)