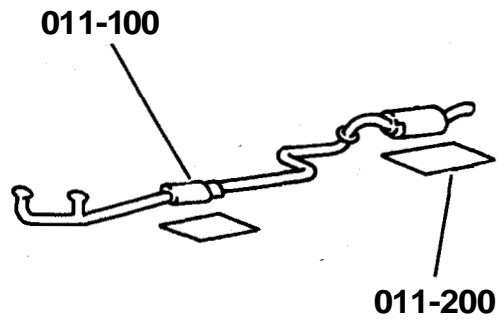
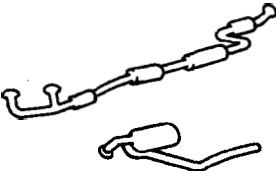
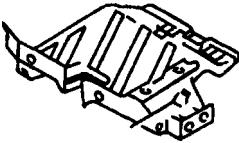


# Group - 011

## Exhaust



<p><b>011-100</b> Exhaust System</p> 	<p><b>011-200</b> Heat Shields</p> 		
--	--	--	--

**Group 011 - Exhaust**

**Exhaust System**

**011 100**

Exhaust System 2.5L, 4.0L Engine .....	.Fig. 011-120
Exhaust System 2.5L Diesel Engine (1 of 2) .....	.Fig. 011-140
Exhaust System 2.5L Diesel Engine (2 of 2) .....	.Fig. 011-145

**Heat Shields**

**011 200**

Heat Shields. ....	.Fig. 011-210
--------------------	---------------

**JEEP CHEROKEE (LHD) & (RHD) (XJ)**

SERIES	LINE	BODY	ENGINE	TRANSMISSION
L=Low Line	J=LHD(4WD) U=RHD(4WD) B=RHD(4x2) T=LHD(4x2)	74=4 Dr. 72=2 Dr.	EN0=2.5L(ENC) Diesel ER0=4.0L(ERH) EP0=2.5L(EPE)	DG0=All Auto/Trans DGW=44RE (DGB) DDQ=5 spd. AISIN DGK=42RE (DGB) DBB=All Manual Trans. DGS=4 spd. Auto. AISIN DGD= 3 spd. Auto (DGA)

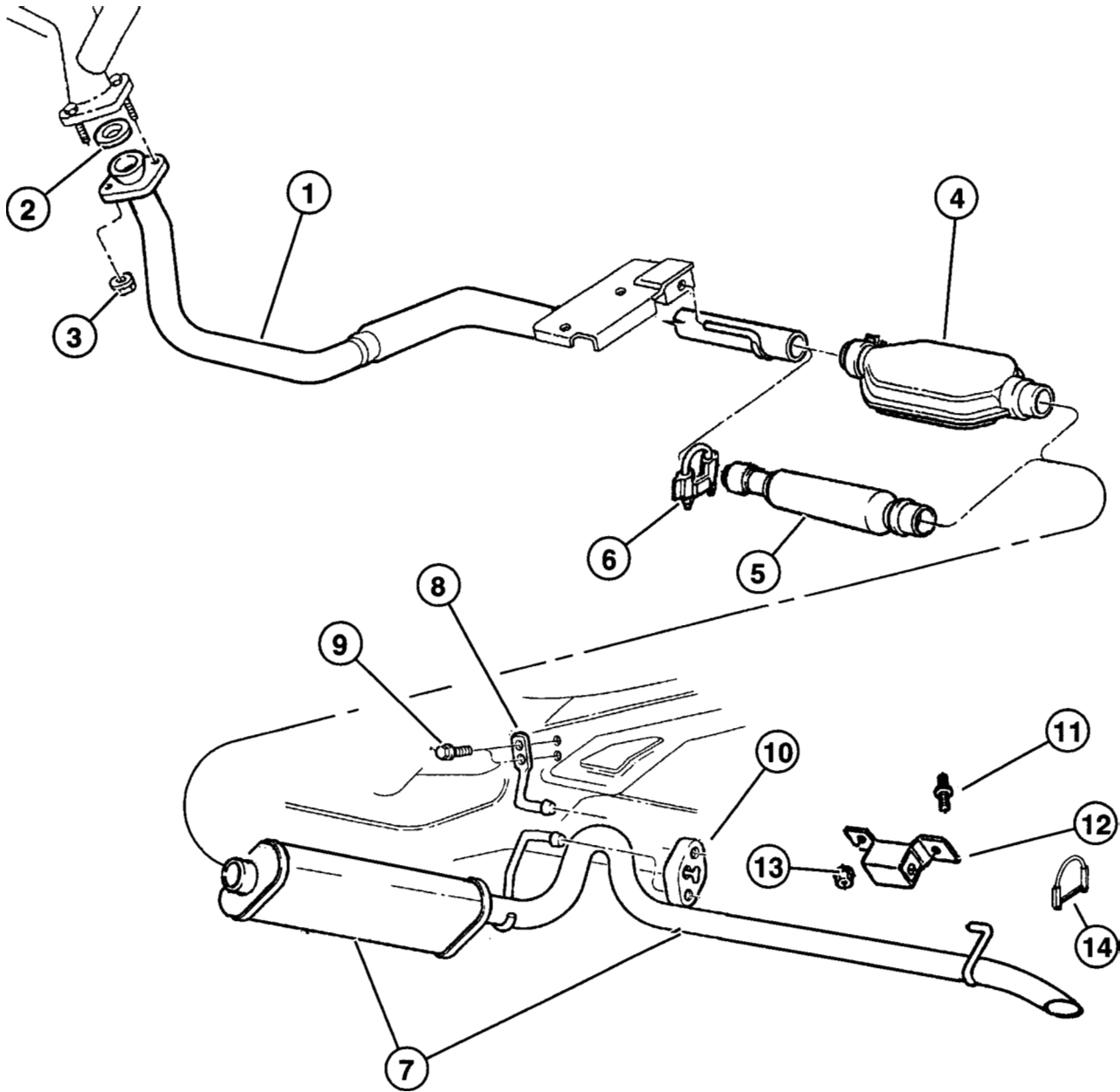
## Group 011 - Exhaust

## JEEP CHEROKEE (LHD) &amp; (RHD) (XJ)

SERIES	LINE	BODY	ENGINE	TRANSMISSION
L=Low Line	J=LHD(4WD) U=RHD(4WD) B=RHD(4x2) T=LHD(4x2)	74=4 Dr. 72=2 Dr.	EN0=2.5L(ENC) Diesel ER0=4.0L(ERH) EP0=2.5L(EPE)	DG0=All Auto/Trans DGW=44RE (DGB) DDQ=5 spd. AISIN DGK=42RE (DGB) DBB=All Manual Trans. DGS=4 spd. Auto. AISIN DGD=3 spd. Auto (DGA)

Exhaust System  
2.5L, 4.0L Engine

011-120



**1997-99 JEEP CHEROKEE (XJ)  
PARTS CATALOG**

Figure 011-120  
Illus. Page 011-5

Exhaust

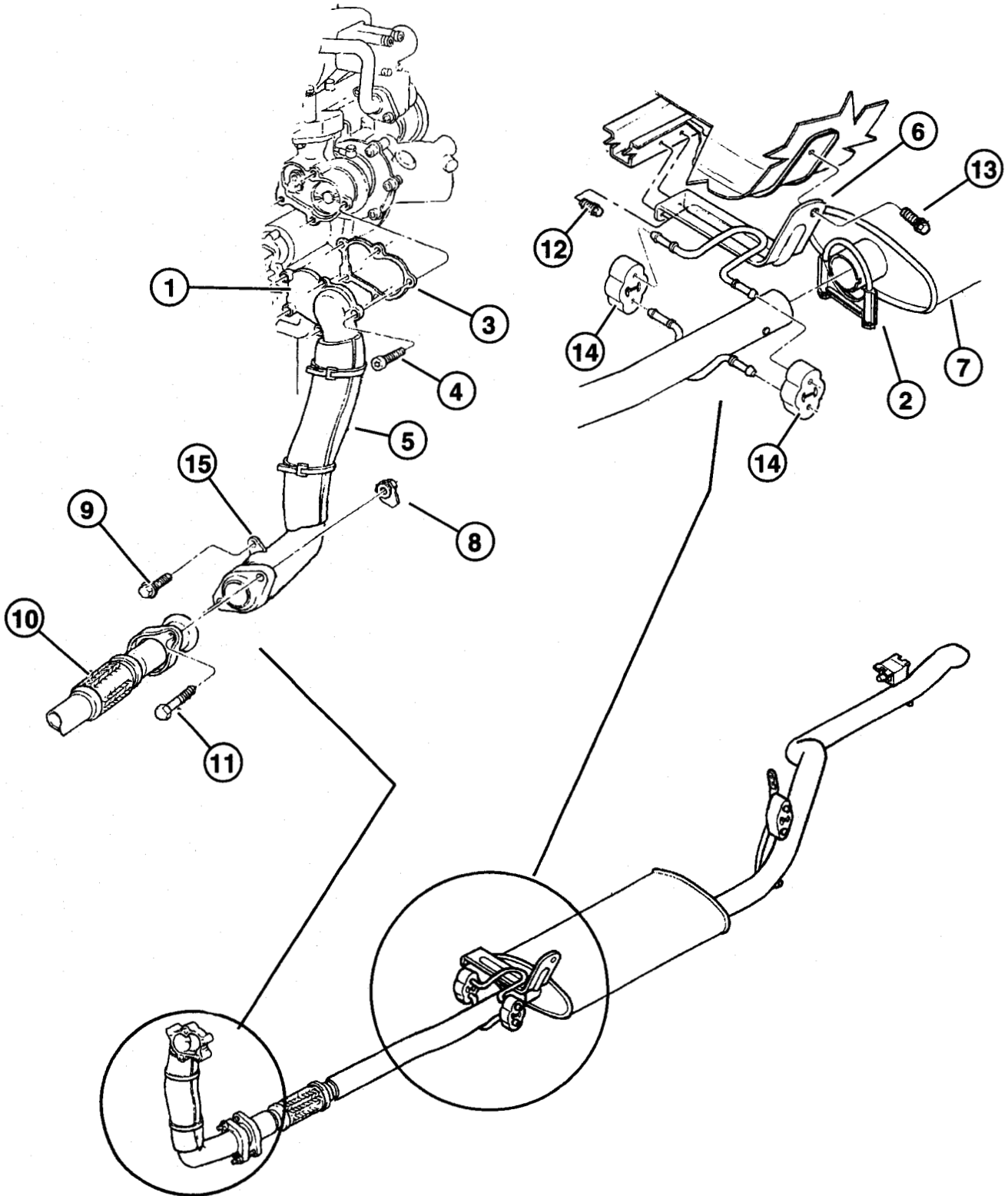
ITEM	PART	QTY	LINE	SERIES	BODY	ENGINE	DESCRIPTION
<b>Exhaust System 2.5L, 4.0L Engine</b>							
1							PIPE, Exhaust
	5202 0069	1				ERO	1997 XJ, 1998 XJ
	5202 1047	1				EPO	1997 XJ, 1998 XJ
	52101 193AC	1				ERO	Federal, Euro e Leaded Gas 1999 XJ
	#52020 027AB	1				EPO	California, w/Converter, 1999 XJ
	#52021 003AD	1				ERO	California, w/Converter, 1999 XJ
	#52021 047AE	1				EPO	Federal, Europe, Leaded Gas, 1999 XJ
2	5200 5431	1				ERO	SEAL, Exhaust
3	J400 5142	2				EPO, ERO	NUT, Hex Flange Lock
4							CONVERTER, Catalytic
	5201 9480	1				ERO	Federal, 1997 XJ
	52019 480AD	1				ERO	Federal, 1998 XJ
	5202 2019	1				ERO	California, 1997 XJ
	5210 1221	1				EPO	1997 XJ, 1998 XJ
	5210 1401	1				ERO	California, 1998 XJ
	#52019 480AF	1				EPO, ERO	1999 XJ
5							RESONATOR, Exhaust
	5201 9500	1				EPO, ERO	1997 XJ, 1998 XJ
	#52019 500AB	1				EPO, ERO	1999 XJ
6							CLAMP, Exhaust
	5201 8424	1					1997 XJ
	5201 8424	1				EPO, ERO	1998 XJ
	52018 424AB	1				EPO, ERO	1999 XJ
7							MUFFLER AND TAILPIPE, Exhaust
	5210 1051	1				ERO	1997 XJ, 1998 XJ
	5210 1052	1				EPO	1997 XJ, 1998 XJ
	#52101 052AD	1				EPO	1999 XJ
	#52101 262AE	1				ERO	1999 XJ
8	5200 2403	1					HANGER, Exhaust
9	J400 1933	2					SCREW, Hex Flange Head, .312-x18x.875
10	5200 1759	1					INSULATOR, Exhaust
11							STUD, Collared, M12x1.75x62
	6504 497	2					1997 XJ, 1998 XJ
	6505 137AA	2					1999 XJ
12							BRACKET, Tailpipe
	5201 9543	1					1997 XJ
	52019 543AB	1					1998 XJ
	52101 097AC	1					1999 XJ
13	6100 055	2					NUT AND WASHER, Hex Nut-Coned Washer, M12 x 1.75
14							CLAMP, Exhaust
	52002 144AB	1					(NOT REQUIRED), 1997 XJ, 1998 XJ 1999 XJ

**JEEP CHEROKEE (LHD) & (RHD) (XJ)**

SERIES	LINE	BODY	ENGINE	TRANSMISSION
L=Low Line	J=LHD(4WD) U=RHD(4WD) B=RHD(4x2) T=LHD(4x2)	74=4 Dr. 72=2 Dr.	EN0=2.5L(ENC) Diesel ER0=4.0L(ERH) EP0=2.5L(EPE)	DG0=All Auto/Trans DGW=44RE (DGB) DDQ=5 spd. AISIN DGK=42RE (DGB) DBB=All Manual Trans. DGS=4 spd. Auto. AISIN DGD= 3 spd. Auto (DGA)

Exhaust System  
2.5L Diesel Engine (1 of 2)

011-140



ITEM	PART	QTY	LINE	SERIES	BODY	ENGINE	DESCRIPTION
------	------	-----	------	--------	------	--------	-------------

**Exhaust System  
2.5L Diesel Engine (1 of 2)**

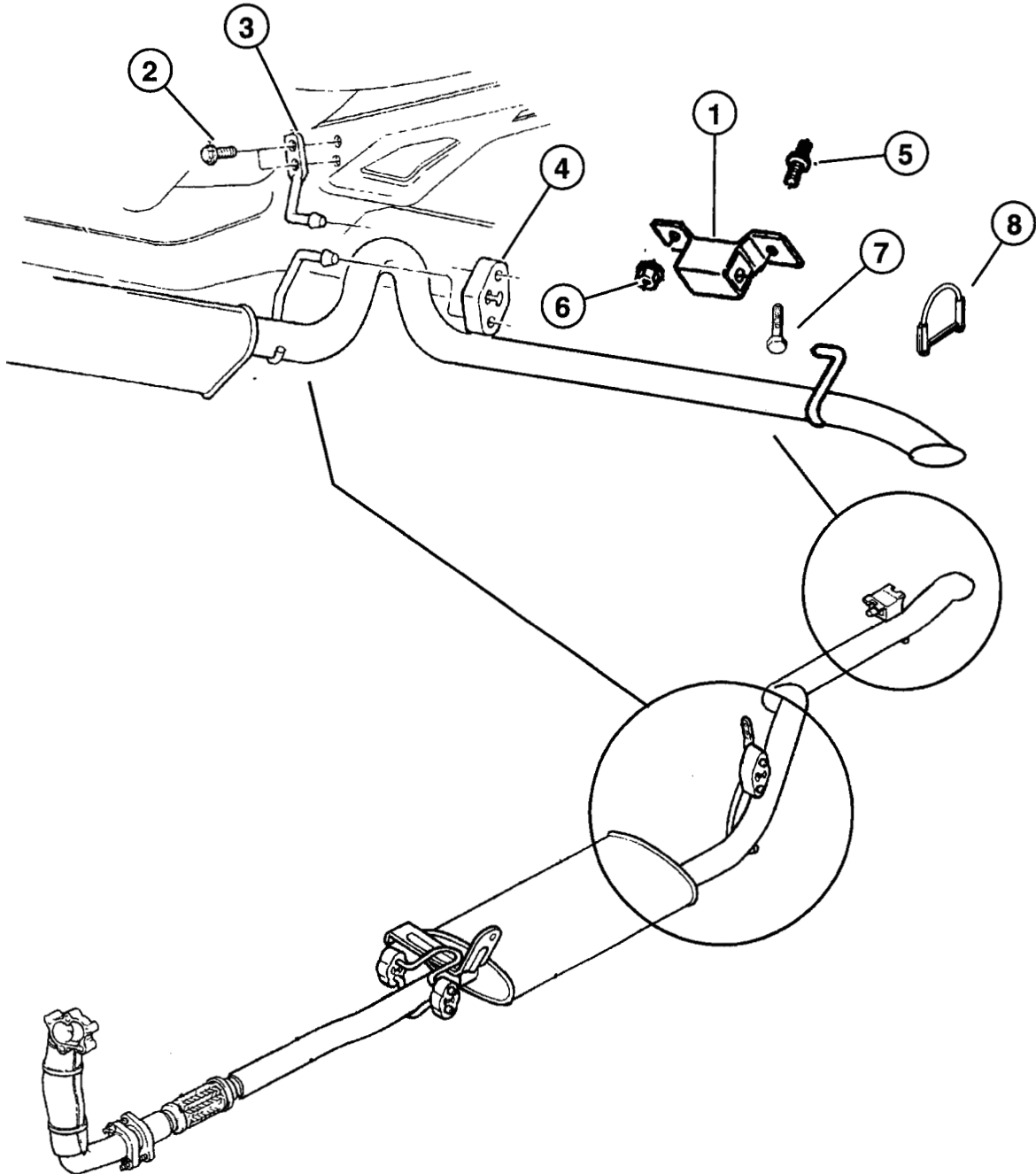
1	5201 9388	1				ENC	ADAPTER, Turbo 1998 XJ, 1999 XJ
	5202 0276	1				ENC	1997 XJ
2							CLAMP, Exhaust
	<b>5200 2144</b>	<b>1</b>					<b>1997 XJ, 1998 XJ</b>
	52002 144AB	1					1999 XJ
3	5201 8875	1				EN0	GASKET, Turbo Adapter
4	6504070	5				ENC	SCREW, M8-1.25
5	<b>5207 9405</b>	<b>1</b>				EN0	<b>SHIELD, Heat</b>
6	5210 1056	1				EN0	HANGER, Muffler
7							MUFFLER AND TAILPIPE, Exhaust
	<b>5210 1063</b>	<b>1</b>				EN0	<b>1997 XJ, 1998 XJ</b>
	<b>#52101 063AE</b>	<b>1</b>				EN0	<b>1999 XJ</b>
8	6031 959	3				EN0	NUT, Hex Flange Lock
9	J400 1933	2					SCREW, Hex Flange Head, .312-x18x.875
							<b>PIPE, Exhaust</b>
	<b>5210 1111</b>					EN0	<b>1997 XJ, 1998 XJ</b>
	<b>#52101 111AD</b>	<b>1</b>				EN0	<b>1999 XJ</b>
11	6034501	3				EN0	SCREW, Hex Head Header Point, .375-16x1.375
12							<b>SCREW, Self Tapping, M6x1x15</b>
	<b>6101 786</b>	<b>2</b>				EN0	<b>1998 XJ, 1999 XJ</b>
	6101 786	2				EPO	1997 XJ, 1999 XJ
13	6100574	1				EN0	BOLT AND CONED WASHER, Hex Head. M8x20x17
14	5201 7607	2				EN0	INSULATOR, Exhaust
15							FLANGE, Exhaust Pipe
	52018 818AB	1				EN0	1997 XJ
	52018 818AC	1				EN0	1998 XJ, 1999 XJ

**JEEP CHEROKEE (LHD) & (RHD) (XJ)**

SERIES	LINE	BODY	ENGINE	TRANSMISSION
L=Low Line	J=LHD(4WD) U=RHD(4WD) B=RHD(4x2) T=LHD(4x2)	74=4 Dr. 72=2 Dr.	EN0=2.5L(ENC) Diesel ER0=4.0L(ERH) EP0=2.5L(EPE)	DG0=All Auto/Trans DGW=44RE (DGB) DDQ=5 spd. AISIN DGK=42RE (DGB) DBB=All Manual Trans. DGS=4 spd. Auto. AISIN DGD = 3 spd. Auto (DGA)

Exhaust System  
2.5L Diesel Engine (2 of 2)

011-145





**1997-99 JEEP CHEROKEE (XJ)  
PARTS CATALOG**

Figure 011-145  
Illus. Page 011-9

Exhaust

ITEM	PART	QTY	LINE	SERIES	BODY	ENGINE	DESCRIPTION
------	------	-----	------	--------	------	--------	-------------

**Exhaust System  
2.5L Diesel Engine (2 of 2)**

1	52101 097AC	1					HANGER, Tailpipe 1999 XJ
	52101 097AC	1				EN0	1997 XJ, 1998 XJ
2							<b>SCREW, Hex Flange Head, M8x1.25x30</b>
	J400 1933	2					1999 XJ
	J420 0402	4					1997 XJ, 1998 XJ
3	5200 2403	1					HANGER, Exhaust
4	5200 1759	1					INSULATOR, Exhaust
5							<b>STUD, Collared, M12x1.75x62</b> (NOT REQUIRED), 1999 XJ
	6504 497	2					1997 XJ, 1998 XJ
6							<b>NUT AND WASHER, Hex Nut-Coned Washer, M12 x 1.75</b> (NOT REQUIRED), 1999 XJ
	6100 055	2					1997 XJ, 1998 XJ
7							<b>BOLT, Hex Flange Head, M12x1.75x40</b> (NOT REQUIRED), 1997 XJ, 1998 XJ
	3420 1964	2					1999 XJ
8							<b>CLAMP, Exhaust</b> (NOT REQUIRED), 1997 XJ, 1998 XJ
	52002 144AB	1					1999 XJ

**JEEP CHEROKEE (LHD) & (RHD) (XJ)**

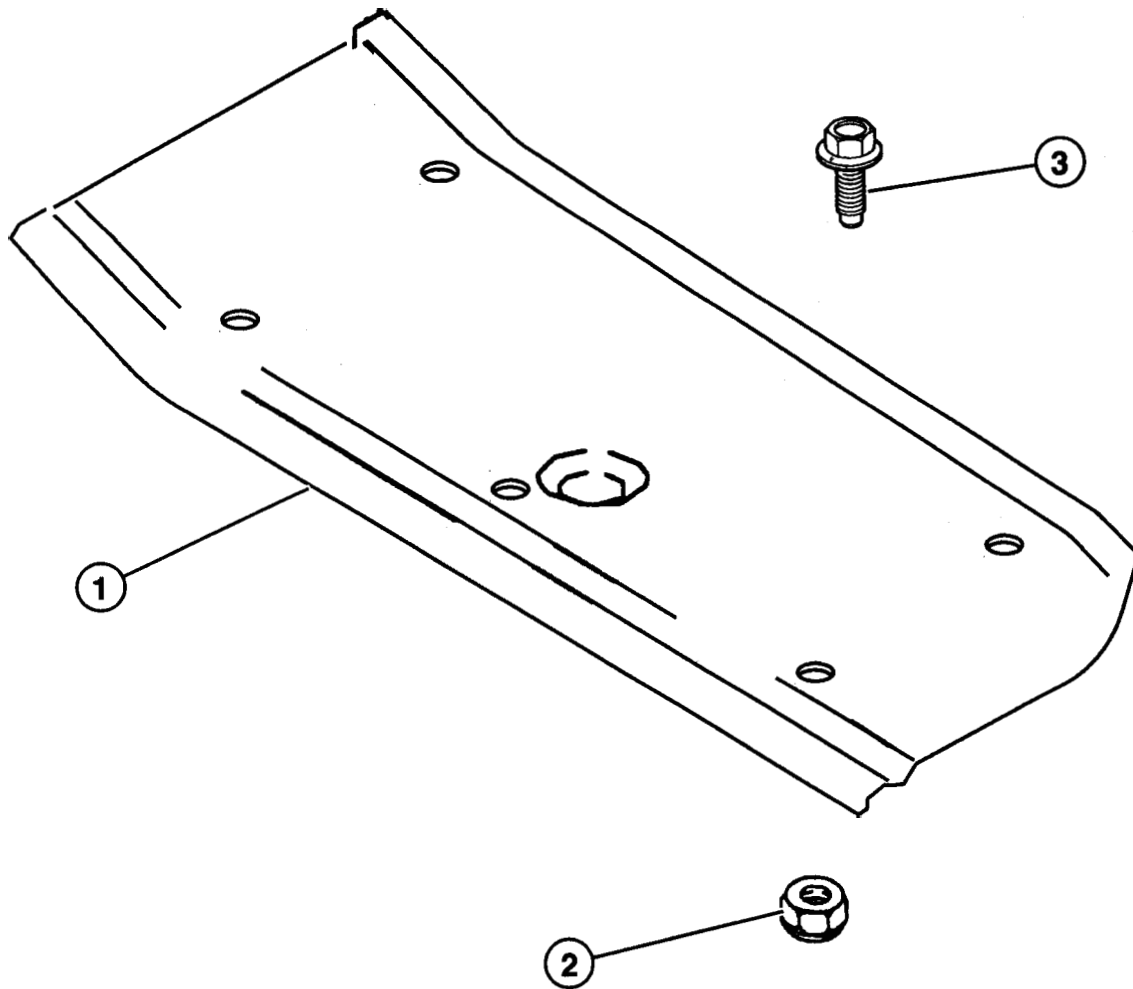
SERIES	LINE	BODY	ENGINE	TRANSMISSION
L=Low Line	J=LHD(4WD) U=RHD(4WD) B=RHD(4x2) T=LHD(4x2)	74=4 Dr. 72=2 Dr.	EN0=2.5L(ENC) Diesel ER0=4.0L(ERH) EP0=2.5L(EPE)	DG0=All Auto/Trans DGW=44RE (DGB) DDQ=5 spd. AISIN DGK=42RE (DGB) DBB=All Manual Trans. DGS=4 spd. Auto. AISIN DGD= 3 spd. Auto (DGA)

AR = Use as Required; \* = Non-Illustrated Part; # = New This Model Year

June 1998

Heat Shields

011-210



ITEM	PART	QTY	LINE	SERIES	BODY I	ENGINE	DESCRIPTION
<b>Heat Shields</b>							
1	5523 5811	1				EPO, ERO	SHIELD, Muffler 1997 XJ, 1998 XJ
	55235 811AB	1				EPO, ERO	1999 XJ
	-----75	5				EPO, ERO	NUT, Hex. 250-20
<b>3</b>							<b>SCREW, (NOT SERVICED)</b>

**JEEP CHEROKEE (LHD) & (RHD) (XJ)**

SERIES	LINE	BODY	ENGINE	TRANSMISSION
L=Low Line	J=LHD(4WD) U=RHD(4WD) B=RHD(4x2) T=LHD(4x2)	74=4 Dr. 72=2 Dr.	EN0=2.5L(ENC) Diesel ER0=4.0L(ERH) EP0=2.5L(EPE)	DG0=All Auto/Trans DGW=44RE (DGB) DDQ=5 spd. AISIN DGK=42RE (DGB) DBB=All Manual Trans. DGS=4 spd. Auto. AISIN DGD = 3 spd. Auto (DGA)

ITEM	PART	QTY	LINE	SERIES	BODY	ENGINE	DESCRIPTION
------	------	-----	------	--------	------	--------	-------------

### Heat Shields

#### JEEP CHEROKEE (LHD) & (RHD) (XJ)

SERIES	LINE	BODY	ENGINE	TRANSMISSION
L=Low Line	J=LHD(4WD) U=RHD(4WD) B=RHD(4x2) T=LHD(4x2)	74=4 Dr. 72=2 Dr.	EN0=2.5L(ENC) Diesel ER0=4.0L(ERH) EP0=2.5L(EPE)	DG0=All Auto/Trans DGW=44RE (DGB) DDQ=5 spd. AISIN DGK=42RE (DGB) DBB=All Manual Trans. DGS=4 spd. Auto. AISIN DGD = 3 spd. Auto (DGA)