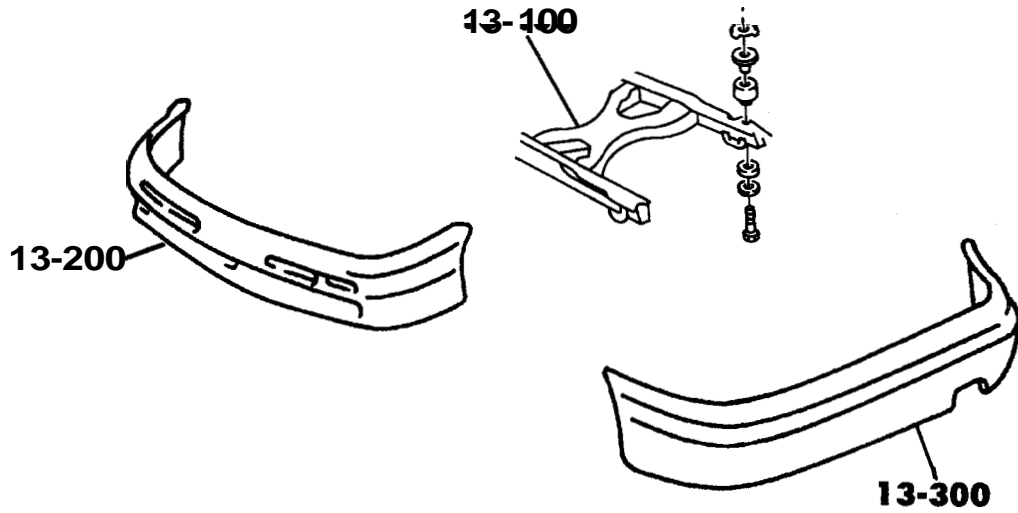

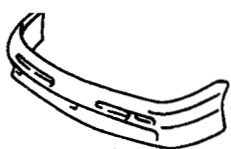
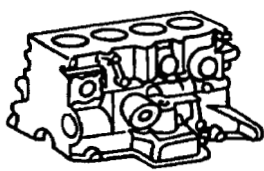



Group - 013

Frames and Bumpers



<p>013-100 Frames</p> 	<p>113-200 Front Bumper and Fascia</p> 	<p>113-300 Rear Bumper and Fascia</p> 	<p>113-600 Trailer Tow</p> 

Group 013 - Frames and Bumpers

Frames 013 100

Illustration missingFig. G-I

Front Bumper and Fascia 013 200

Bumper, Front 1997 XJ 1998 XJ.Fig. 013-210
Bumper, Front 1999 XJ. ,Fig. 013-210

Rear Bumper and Fascia 013 300

Bumper, Rear 1997 XJ 1998 XJ.Fig. 013-310
Bumper, Rear 1999 XJ Fig. 013-310

Trailer Tow 013 600

Hitch, Trailer Tow 1997 XJ 1998 XJFig. 013-610
Hitch, Trailer Tow 1999 XJFig. 013-610
Tow Hook and Tow Eye 1997 XJFig. 013-615

JEEP CHEROKEE (LHD) & (RHD) (XJ)

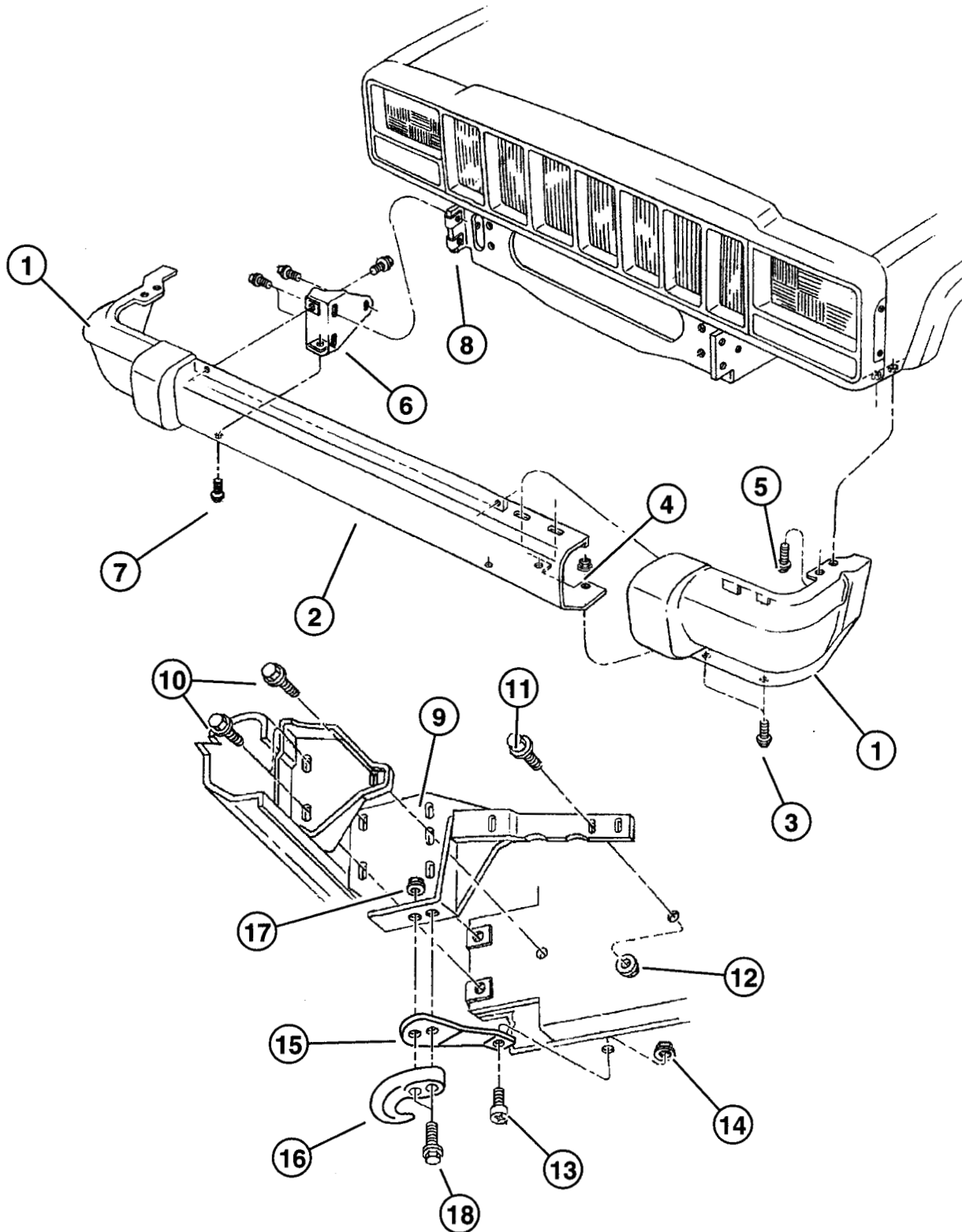
SERIES	LINE	BODY	ENGINE	TRANSMISSION
L=Low Line	J=LHD(4WD) U=RHD(4WD) B=RHD(4x2) T=LHD(4x2)	74=4 Dr. 72=2 Dr.	EN0=2.5L(ENC) Diesel ER0=4.0L(ERH) EP0=2.5L(EPE)	DG0=All Auto/Trans DGW=44RE (DGB) DDQ=5 spd. AISIN DGK=42RE (DGB) DBB=All Manual Trans. DGS=4 spd. Auto. AISIN DGD = 3 spd. Auto (DGA)

Group 013 - Frames and Bumpers**JEEP CHEROKEE (LHD) & (RHD) (XJ)**

SERIES	LINE	BODY	ENGINE	TRANSMISSION
L=Low Line	J=LHD(4WD) U=RHD(4WD) B=RHD(4x2) T=LHD(4x2)	74=4 Dr. 72=2 Dr.	EN0=2.5L(ENC) Diesel ER0=4.0L(ERH) EP0=2.5L(EPE)	DG0=All Auto/Trans DGW=44RE (DGB) DDQ=5 spd. AISIN DGK=42RE (DGB) DBB=All Manual Trans. DGS=4 spd. Auto. AISIN DGD= 3 spd. Auto (DGA)

Bumper, Front
1997 XJ 1998 XJ

013-210



PARTS CATALOG

ITEM	PART	QTY	LINE	SERIES	BODY	DESCRIPTION
Bumper, Front 1997 XJ 1998 XJ						
1						END CAP, Bumper
	5DY0 ODX8	1				Black, Right, 1997 XJ
	5DY0 OPCJ	1				Montego Blue, Right, 1997 XJ
	5DY0 OPR4	1				Red, Right, 1997 XJ
	5DY0 ORJN	1				Green, Right, 1997 XJ
	5DY0 OSW1	1				White, Right, 1997 XJ
	5DY0 OTQ7	1				Gunmetal, Right, 1997 XJ
	5DY0 1DX8	1				Black, Left, 1997 XJ
	5DY0 1PCJ	1				Montego Blue, Left, 1997 XJ
	5DY0 1PR4	1				Red, Left, 1997 XJ
	5DY0 1RJN	1				Green, Left, 1997 XJ
	DY W1	1				White, Left, 1997 XJ
	5DY0 1TQ7	1				Gunmetal, Left, 1997 XJ
	5DY00 DX8AB	1				Black, Right, 1998 XJ
	5DY00 PR4AB	1				Red, Right, 1998 XJ
	5DY00 RJNAB	1				Green, Right, 1998 XJ
	5DY00 SW1AB	1				White, Right, 1998 XJ
	5DY00 TCNAB	1				Amethyst, Right, 1998 XJ
	5DY00 TQ7AB	1				Gunmetal, Right, 1998 XJ
	5DY00 VEAAB	1				Chillipepper Red, Right, 1998 XJ
	5DY01 DX8AB	1				Black, Left, 1998 XJ
	5DY01 PR4AB	1				Red, Left, 1998 XJ
	5DY01 RJNAB	1				Green, Left, 1998 XJ
	5DY01 SW1AB	1				White, Left, 1998 XJ
	5DY01 TCNAB	1				Amethyst, Left, 1998 XJ
	5DY01 TQ7AB	1				Gunmetal, Left, 1998 XJ
	5DY01 VEAAB	1				Chillipepper Red, Left, 1998 XJ
	5DY4 ODX9	1				Black/Black, Right, 1997 XJ
	5DY4 1DX9	1				Black/Black, Left, 1997 XJ
	5DY40 DX9AB	1				Bumper Guard, Right, 1998 XJ
	5DY41 DX9AB	1				Bumper Guard, Left, 1998 XJ
2						BAR, Bumper Front - Painted
	5EE85 DX8AB	1				Black, w/Matching Black Body Color
	5EE85 PCJAB	1				Montego Blue, 1997 XJ
	5EE85 PR4AB	1				Red, 1997 XJ
	E RJNAB	1				Green
	5EE85 S3XAB	1				Semi Gloss Black, w/o Matching Body Color
	5EE85 SW1AB	1				White
	5EE85 TCNAB	1				Amethyst, 1998 XJ
	B	1				Gunmetal
	5EE85 VEAAB	1				Chillipepper Red, 1998 XJ
3						BOLT AND CONED WASHER, Hex Head, M6x20x12.5 (NOT REQUIRED), 1998 XJ
		4				1997 XJ
4	6101 694	4				NUT, M6x1.00
5	6504 249	4				SCREW, Hex Head, M6x1x20
6						BRACKET, Bumper
	55175 268AB	1				Right
	55175 269AB	1				Left
7	1150 0662	4				NUT, U Type, M10 x 1.50
8	3420 1540	8				BOLT AND WASHER, Implement Attaching

JEEP CHEROKEE (LHD) & (RHD) (XJ)

SERIES	LINE	BODY	ENGINE	TRANSMISSION
L=Low Line	J=LHD(4WD) U=RHD(4WD) B=RHD(4x2) T=LHD(4x2)	74=4 Dr. 72=2 Dr.	EN0=2.5L(ENC) Diesel ER0=4.0L(ERH) EP0=2.5L(EPE)	DG0=All Auto/Trans DGW=44RE (DGB) DDQ=5 spd. AISIN DGK=42RE (DGB) DBB=All Manual Trans. DGS=4 spd. Auto. AISIN DGD=3 spd. Auto (DGA)

ITEM	PART	QTY	LINE	SERIES	BODY	DESCRIPTION
Bumper, Front 1997 XJ 1998 XJ						
9						BRACKET, Front Bumper
	5515 5096	1				Right, 1997 XJ
	5515 5097	1				Left, 1997 XJ
	55155 096AB	1				Right, 1998 XJ
	55155 097AB	1				Left, 1998 XJ
10	3420 2219	4				BOLT AND WASHER, Hex Head
11	3420 2388	1				BOLT, Button Head Torx, M14 x 2.0 x 80
12	6502 698	1				NUT
13						BOLT, Hex Head, M10x1.50x20
	J420 0434	4				1997 XJ
	#6505 086AA	4				1998 XJ
14	6502 135	4				NUT, Hex Flange, M10x1.5
15						BRACE, Tow Hook
	5200 1972	1				Right
	5200 1973	1				Left
16	52057 999AB	2				HOOK, Tow
17	6502 697	4				NUT, Hex Flange Lock, M12x1.75
18						BOLT, Hex Flange Head, M12x1.75x60
	1150 5098	2				1998 XJ
	1150 5098	4				1997 XJ
-19						DEFLECTOR, Air
	5EF0 8DX9	1				
	5EP0 4SW1	1				Paint as Req.
-20	6035 944AA	3				RIVET
-21	5200 3479	1				BRACKET, License Plate

JEEP CHEROKEE (LHD) & (RHD) (XJ)

SERIES	LINE	BODY	ENGINE	TRANSMISSION
L=Low Line	J=LHD(4WD) U=RHD(4WD) B=RHD(4x2) T=LHD(4x2)	74=4 Dr. 72=2 Dr.	EN0=2.5L(ENC) Diesel ER0=4.0L(ERH) EP0=2.5L(EPE)	DG0=All Auto/Trans DGW=44RE (DGB) DDQ=5 spd. AISIN DGK=42RE (DGB) DBB=All Manual Trans. DGS=4 spd. Auto. AISIN DGD = 3 spd. Auto (DGA)

ITEM	PART	QTY	LINE	SERIES	BODY	DESCRIPTION
------	------	-----	------	--------	------	-------------

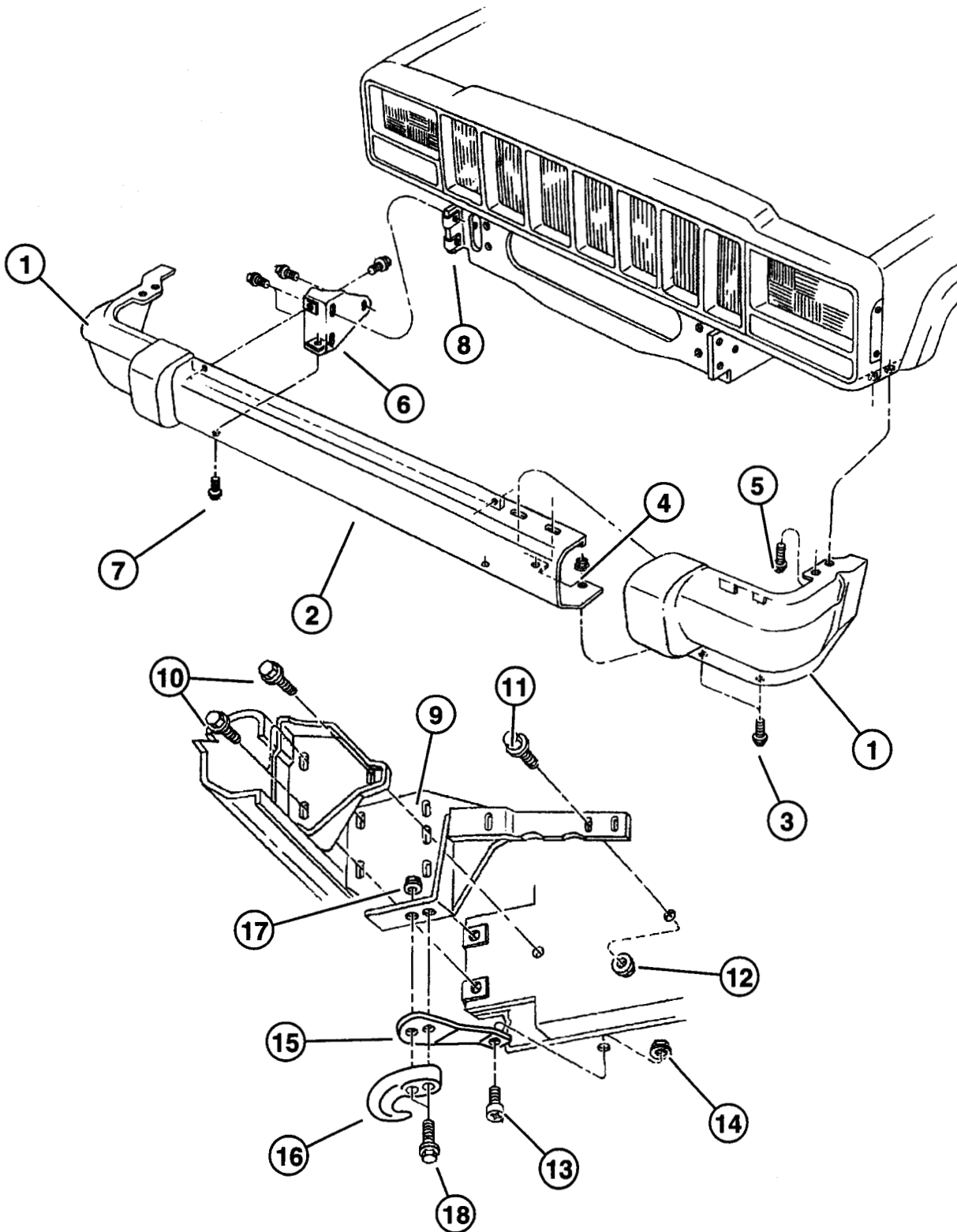
Bumper, Front
1997 XJ 1998 XJ

JEEP CHEROKEE (LHD) & (RHD) (XJ)

SERIES	LINE	BODY	ENGINE	TRANSMISSION
L=Low Line	J=LHD(4WD) U=RHD(4WD) B=RHD(4x2) T=LHD(4x2)	74=4 Dr. 72=2 Dr.	EN0=2.5L(ENC) Diesel ER0=4.0L(ERH) EP0=2.5L(EPE)	DG0=All Auto/Trans DGW=44RE (DGB) DDQ=5 spd. AISIN DGK=42RE (DGB) DBB=All Manual Trans. DGS=4 spd. Auto. AISIN DGD = 3 spd. Auto (DGA)

Bumper, Front
1999 XJ

013-210



Frames and Bumpers

ITEM	PART	QTY	LINE	SERIES	BODY	DESCRIPTION
Bumper, Front 1999 XJ						
1						END CAP, Bumper
	5DY00 DX8AB	1				Black, Right
	5DY00 PR4AB	1				Red, Right
	5DY00 SG8AB	1				Green, Right
	5DY00 SW1AB	1				White, Right
	5DY00 TCNAB	1				Amethyst, Right
	5DY00 TQ7AB	1				Gunmetal, Right
	5DY00 VEAAB	1				Chillipepper Red, Right
	5DY00 WTDAB	1				Desert Sand, Right
	5DY01 DX8AB	1				Black
	5DY01 PR4AB	1				Red
	5DY01 SG8AB	1				Green
	5DY01 SW1AB	1				White
	5DY01 TCNAB	1				Amethyst
	5DY01 TQ7AB	1				Gunmetal
	5DY01 VEAAB	1				Chillipepper Red
	5DY01 WTDAB	1				Desert Sand
2						BAR, Bumper Front * Painted
	5EE85 DX8AB	1				Black, w/Matching Black Body Color
	5EE85 PR4AB	1				Red
	5EE85 S3XAB	1				Semi Gloss Black, w/o Matching Body Color
	5EE85 SG8AB	1				Green
	5EE85 SW1AB	1				White
	5EE85 TCNAB	1				Amethyst
	5EE85 TQ7AB	1				Gunmetal
	5EE85 VEAAB	1				Chillipepper Red
	5EE85 WTDAB	1				Desert Sand
3						BOLT AND CONED WASHER, Hex Head, M6x20x12.5, (NOT REQUIRED)
4	6101 694	4				NUT, M6x1.00
5	6504 249	4				SCREW, Hex Head, M6x1x20
6						BRACKET, Bumper
	55175 268AB	1				Right
	55175 269AB	1				Left
7	1150 0662	4				NUT, U Type, M10 x 1.50
8	3420 1540	8				BOLT AND WASHER, Implement Attaching
9						BRACKET, Front Bumper
	55155 096AB	1				Right
	55155 097AB	1				Left
10	3420 2219	4				BOLT AND WASHER, Hex Head
11	3420 2388	1				BOLT, Button Head Torx, M14 x 2.0 x 80
12	6502 698	1				NUT
13	6505 086AA	4				BOLT, Hex Head, M10x1.50x20
14						NUT, Hex Flange, M10x1.5
	-----	1		B, U		
	6502 135	1		J, T		
15						BRACE, Tow Hook
	5200 1972	1				Right
	-----	1				Left
16	52057 999AB	2				HOOK, Tow
17	6502 697	4				NUT, Hex Flange Lock, M12x1.75

JEEP CHEROKEE (LHD) & (RHD) (XJ)

SERIES	LINE	BODY	ENGINE	TRANSMISSION
L=Low Line	J=LHD(4WD) U=RHD(4WD) B=RHD(4x2) T=LHD(4x2)	74=4 Dr. 72=2 Dr.	EN0=2.5L(ENC) Diesel ER0=4.0L(ERH) EP0=2.5L(EPE)	DG0=All Auto/Trans DGW=44RE (DGB) DDQ=5 spd.AISIN DGK=42RE (DGB) DBB=All ManualTrans. DGS=4 spd. Auto. AISIN DGD= 3spd. Auto (DGA)

ITEM	PART	QTY	LINE	SERIES	BODY	DESCRIPTION
Bumper, Front 1999 XJ						
18	1150 5098	2				BOLT, Hex Flange Head, M12x1.75x60
-19	5EF0 8DX9	1				DEFLECTOR, Air
-20	6035 944AA	3				RIVET
-21	5200 3479	1				BRACKET, License Plate

JEEP CHEROKEE (LHD) & (RHD) (XJ)

SERIES	LINE	BODY	ENGINE	TRANSMISSION
L=Low Line	J=LHD(4WD) U=RHD(4WD) B=RHD(4x2) T=LHD(4x2)	74=4 Dr. 72=2 Dr.	EN0=2.5L(ENC) Diesel ER0=4.0L(ERH) EP0=2.5L(EPE)	DG0=All Auto/Trans DGW=44RE (DGB) DDQ=5 spd.AISIN DGK=42RE (DGB) DBB=All Manual Trans. DGS=4 spd. Auto. AISIN DGD = 3 spd. Auto (DGA)

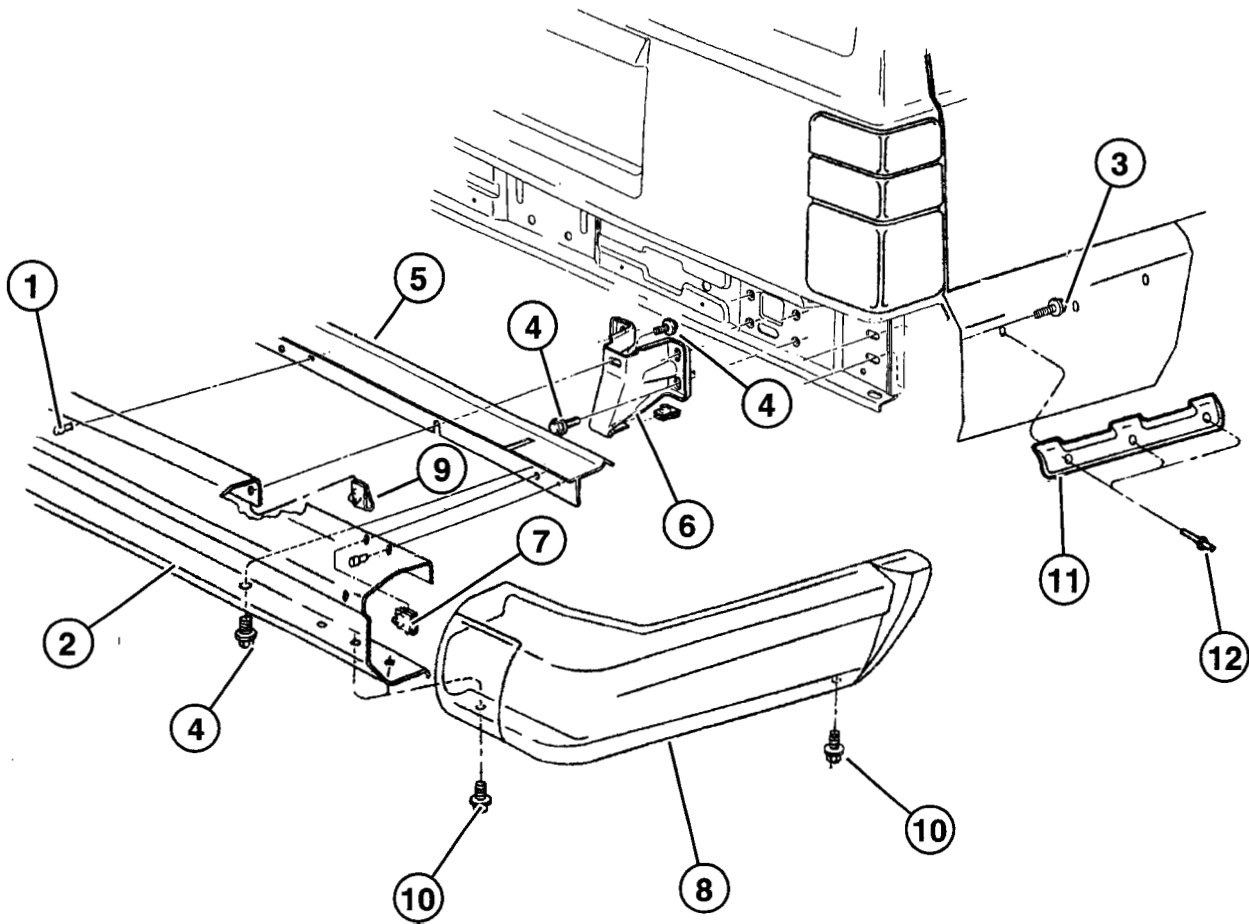
ITEM	PART	QTY	LINE	SERIES	BODY	DESCRIPTION
------	------	-----	------	--------	------	-------------

**Bumper, Front
1999 XJ**

JEEP CHEROKEE (LHD) & (RHD) (XJ)				
SERIES	LINE	BODY	ENGINE	TRANSMISSION
L=Low Line	J=LHD(4WD) U=RHD(4WD) B=RHD(4x2) T=LHD(4x2)	74=4 Dr. 72=2 Dr.	EN0=2.5L(ENC) Diesel ER0=4.0L(ERH) EP0=2.5L(EPE)	DG0=All Auto/Trans DGW=44RE (DGB) DDQ=5 spd. AISIN DGK=42RE (DGB) DBB=All Manual Trans. DGS=4 spd. Auto. AISIN DGD= 3 spd. Auto (DGA)

Bumper, Rear
1997 XJ 1998 XJ

013-310



**1997-99 JEEP CHEROKEE (XJ)
PARTS CATALOG**

Figure 013-310
Page 013-13

Frames and Bumpers

ITEM	PART	QTY	LINE	SERIES	BODY	DESCRIPTION
Bumper, Rear 1997 XJ 1998 XJ						
1	3420 2855	4				RIVET, M5x20.00 Plastic
2						BUMPER, Rear
	5EE8 4DX8	1				Black, 1997 XJ
	5EE8 4JX8	1				Black/Black, 1997 XJ
	5EE8 4PCJ	1				Montego Blue, 1997 XJ
	5EE8 4PR4	1				Red, 1997 XJ
	5EE8 4RJN	1				Green, 1997 XJ
	5EE8 4SW1	1				White, 1997 XJ
	5EE8 4TQ7	1				Aquamarine Blue, 1997 XJ
	#5EE84 SX3AC	1				1998 XJ
3	3420 2467	4				SCREW, Hex Head, M8x1.25x30
4	3420 1540	8				BOLT AND WASHER, Implement Attaching
5	5502 6542	1				SHIELD, Bumper
6						BRACKET, Bumper
	55175 261AB	2				1997 XJ
	-----1AD	2				1998 XJ
7	6101 283	2				U-NUT, M8x1.25
8						END CAP, Bumper
	5DY0 8DX8	1				Black, Right'
	5DY0 8PCJ	1				Montego Blue, Right, 1997 XJ
	5DY0 8PR4	1				Red, Right
	5DY0 8RJN	1				Green, Right
	5DY0 8SW1	1				White, Right
	5DY0 8TCN	1				Amethyst, Right, 1998 XJ
	5DY0 8TQ7	1				Gunmetal, Right
	5DY0 8VEA	1				Chillipepper Red, Right, 1998 XJ
	5DY0 9DX8	1				Black, Left
	5DY0 9PCJ	1				Montego Blue, Left, 1997 XJ
	5DY0 9PR4	1				Red, Left
	5DY0 9RJN	1				Green, Left
	5DY0 9SW1	1				White, Left
	5DY0 9TCN	1				Amethyst, Left, 1998 XJ
	5DY0 9TQ7	1				Gunmetal, Left
	5DY0 9VEA	1				Chillipepper Red, Left, 1998 XJ
	5DY1 0DX9	1				Flat Black, Right
	5DY1 1DX9	1				Flat Black, Left
9						NUT, U Type, M10 x 1.50
	1150 0662	2				1997 XJ
	1150 0662	4				1998 XJ
10	6101 455	2				SCREW AND WASHER, Hex Head, M6x1x20
11						BRACKET
	5517 5692	1				1997 XJ
	5517 5692	1				Right, 1998 XJ
	5517 5693	1				Left, 1998 XJ
12						RIVET, .187x.70 Black
	6035 122	4				1998 XJ
	6035 122	6				1997 XJ

JEEP CHEROKEE (LHD) & (RHD) (XJ)

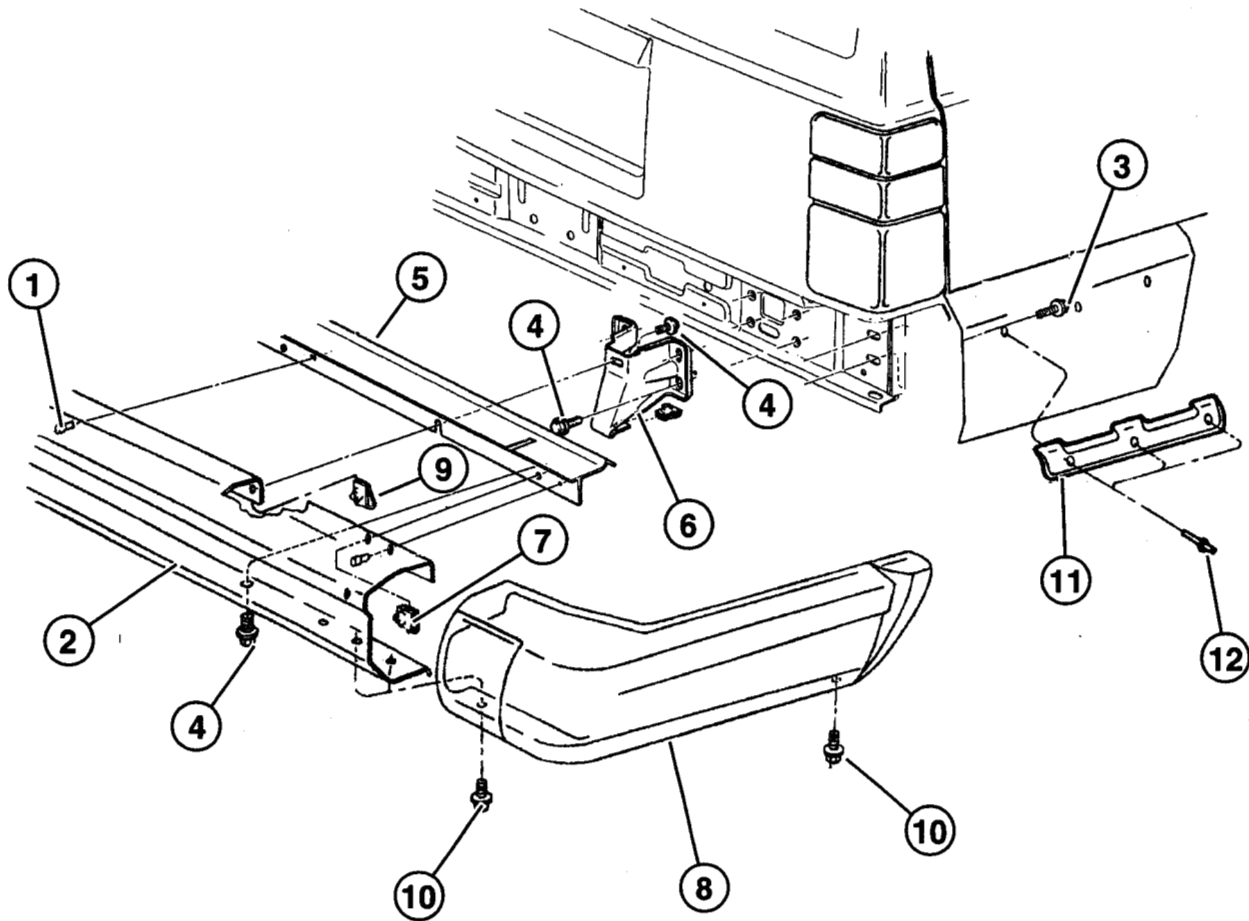
SERIES	LINE	BODY	ENGINE	TRANSMISSION
L=Low Line	J=LHD(4WD) U=RHD(4WD) B=RHD(4x2) T=LHD(4x2)	74=4 Dr. 72=2 Dr.	EN0=2.5L(ENC) Diesel ER0=4.0L(ERH) EP0=2.5L(EPE)	DG0=All Auto/Trans DGW=44RE (DGB) DDQ=5 spd. AISIN DGK=42RE (DGB) DBB=All Manual Trans. DGS=4 spd. Auto. AISIN DGD= 3 spd. Auto (DGA)

AR = Use as Required; - = Non-illustrated Part; # = New This Model Year

June 1998

Bumper, Rear
1999 XJ

013-310



**1997-99 JEEP CHEROKEE (XJ)
PARTS CATALOG**

Figure 013-310
Page 013-15

Frames and Bumpers

ITEM	PART	QTY	LINE	SERIES	BODY	DESCRIPTION
Bumper, Rear 1999 XJ						
1	3420 2855	4				RIVET, M5x20.00 Plastic
2	#5EE84 S3XAD	1				BUMPER, Rear
3	J400 1933	4				SCREW, Hex Flange Head, .312-x18x.875
4	3420 1540	8				BOLT AND WASHER, Implement Attaching
5	5502 6542	1				SHIELD, Bumper
6	55175 261AD	2				BRACKET, Bumper
7	6101 283	2				U-NUT, M8x1.25
8						END CAP, Bumper
	5DY0 8DX8	1				Black, Right
	5DY0 8PR4	1				Red, Right
	5DY0 8SG8	1				Green, Right
	5DY0 8SW1	1				White, Right
	5DY0 8TCN	1				Amethyst, Right
	5DY0 8TQ7	1				Gunmetal, Right
	5DY0 8VEA	1				Chillipepper Red, Right
	5DY0 8WTD	1				Desert Sand, Right
	5DY0 9DX8	1				Black
	5DY0 9PR4	1				Red
	5DY0 9SG8	1				Green
	5DY0 9SW1	1				White
	5DY0 9TCN	1				Amethyst
	5DY0 9TQ7	1				Gunmetal
	5DY0 9VEA	1				Chillipepper Red
	5DY0 9WTD	1				Desert Sand
9	1150 0662	4				NUT, U Type, M10 x 1.50
10	6101 455	2				SCREW AND WASHER, Hex Head, M6x1x20
11						BRACKET
	5517 5692	1				Right
	5517 5693	1				Left
12	6035 122	4				RIVET, .187x.70 Black

JEEP CHEROKEE (LHD) & (RHD) (XJ)

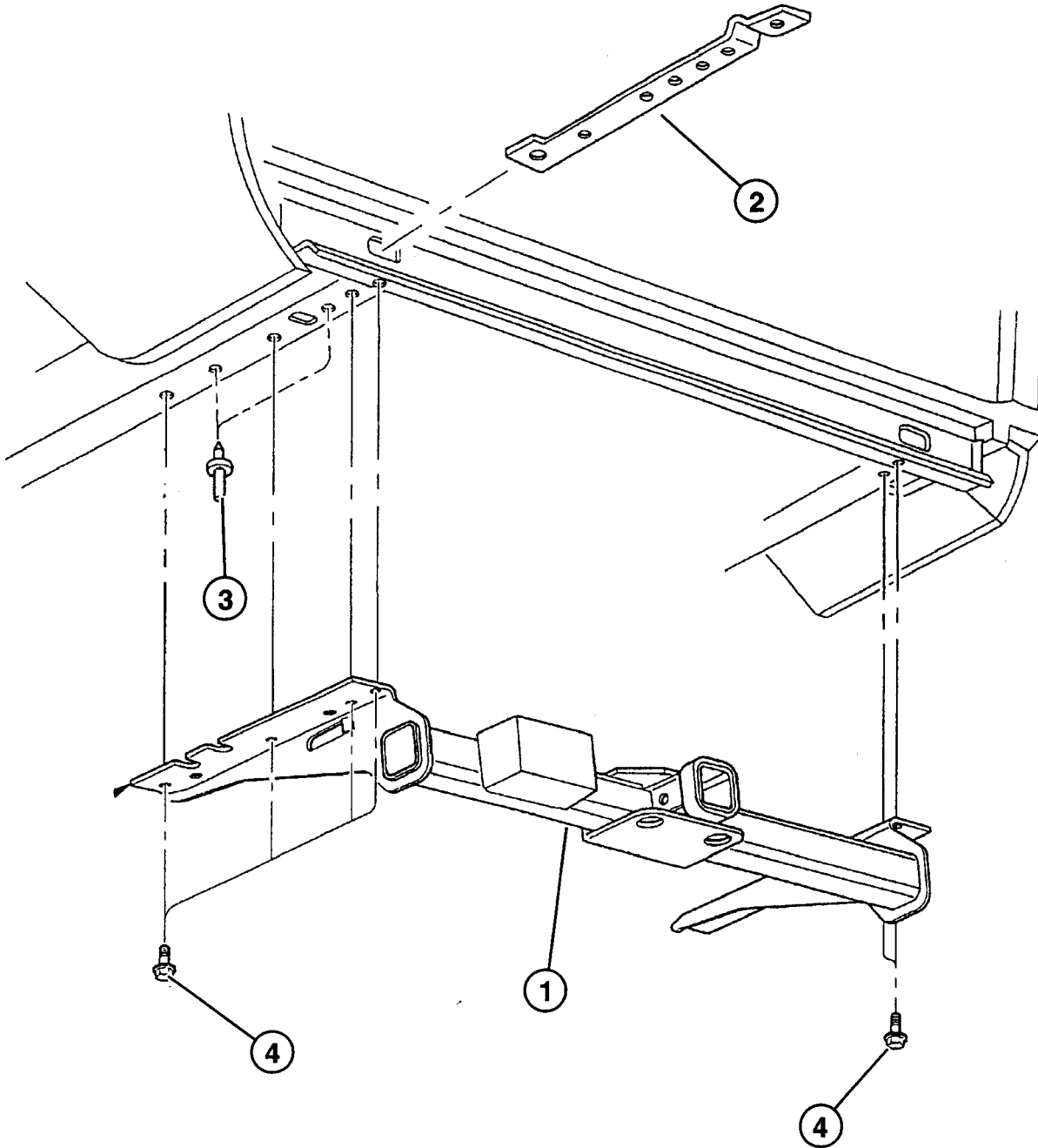
SERIES	LINE	BODY	ENGINE	TRANSMISSION
L=Low Line	J=LHD(4WD) U=RHD(4WD) B=RHD(4x2) T=LHD(4x2)	74=4 Dr. 72=2 Dr.	EN0=2.5L(ENC) Diesel ER0=4.0L(ERH) EP0=2.5L(EPE)	DG0=All Auto/Trans DGW=44RE (DGB) DDQ=5 spd. AISIN DGK=42RE (DGB) DBB=All Manual Trans. DGS=4 spd. Auto. AISIN DGD = 3 spd. Auto (DGA)

AR = Use as Required; * = Non-Illustrated Part; # = New This Model Year

June 1998

Hitch, Trailer Tow
1997 XJ 1998 XJ

013-610



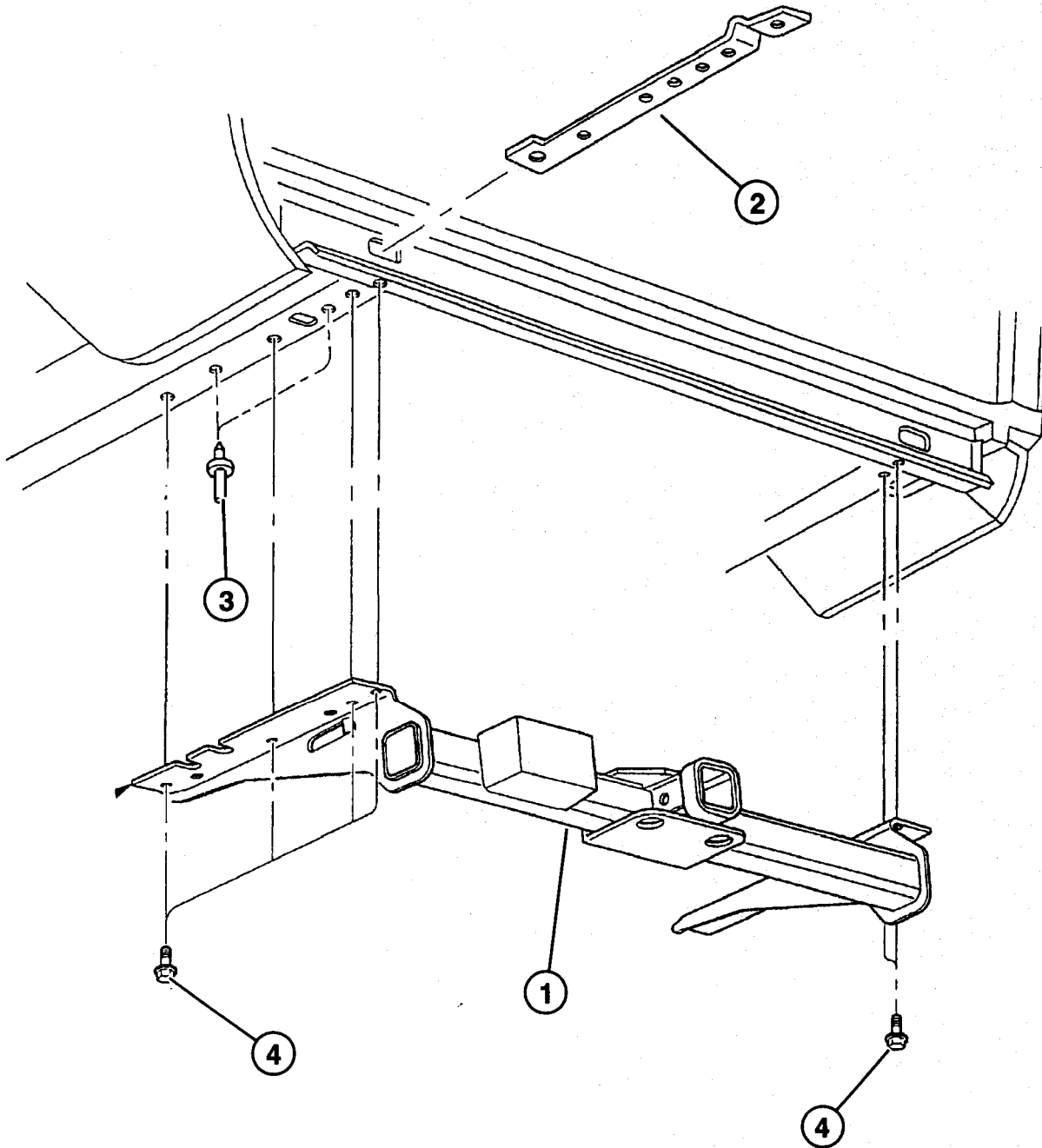
ITEM	PART	QTY	LINE	SERIES	BODY	DESCRIPTION
Hitch, Trailer Tow 1997 XJ 1998 XJ						
1	5205 8266	1				HITCH, Trailer
2						REINFORCEMENT, Sill
	5200 1174	1				Right
	5200 1175	1				Left
3	3420 1353	4				RIVET, M6.3x14.02
4	3420 1964	6				BOLT, Hex Flange Head, M12x1.75x40

JEEP CHEROKEE (LHD) & (RHD) (XJ)

SERIES	LINE	BODY	ENGINE	TRANSMISSION
L=Low Line	J=LHD(4WD) U=RHD(4WD) B=RHD(4x2) T=LHD(4x2)	74=4 Dr. 72=2 Dr.	EN0=2.5L(ENC) Diesel ER0=4.0L(ERH) EP0=2.5L(EPE)	DG0=All Auto/Trans DGW=44RE (DGB) DDQ=5 spd. AISIN DGK=42RE (DGB) DBB=All Manual Trans. DGS=4 spd. Auto. AISIN DGD = 3 spd. Auto (DGA)

Hitch, Trailer Tow
1999 XJ

013-610



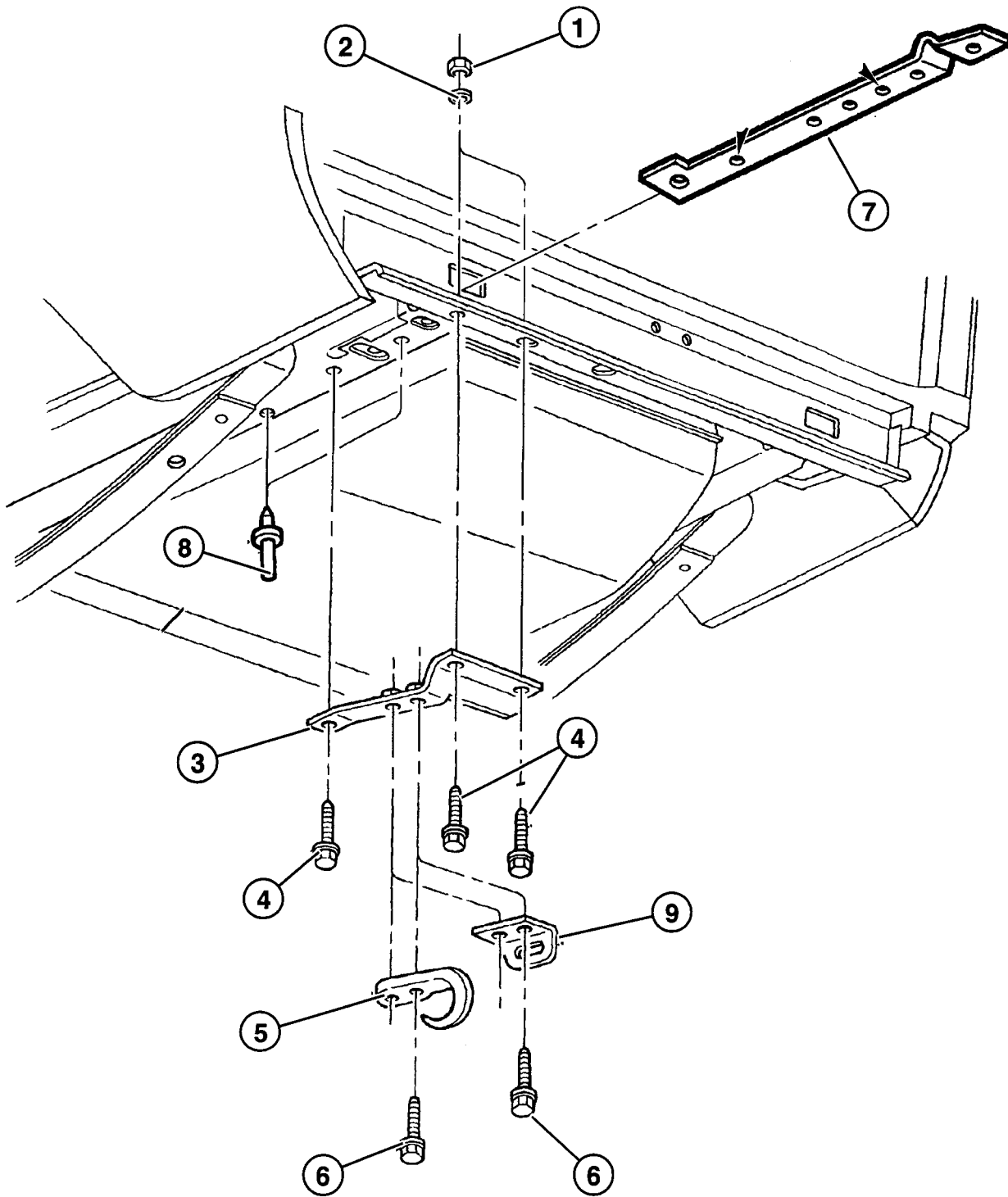
ITEM	PART	QTY	LINE	SERIES	BODY	DESCRIPTION
Hitch, Trailer Tow 1999 XJ						
1	5205 8266	1				HITCH, Trailer
2						REINFORCEMENT, Sill
	5200 1174	1				Right
	5200 1175	1				Left
3						RIVET, M6.3x14.02, (NOT SERVICED)
4	3420 1964	6				BOLT, Hex Flange Head, M12x1.75x40

JEEP CHEROKEE (LHD) & (RHD) (XJ)

SERIES	LINE	BODY	ENGINE	TRANSMISSION
L=Low Line	J=LHD(4WD)	74=4 Dr.	EN0=2.5L(ENC) Diesel	DG0=All Auto/Trans
	U=RHD(4WD)	72=2 Dr.	ER0=4.0L(ERH)	DGW=44RE (DGB)
	B=RHD(4x2)		EP0=2.5L(EPE)	DDQ=5 spd. AISIN
	T=LHD(4x2)			DGK=42RE (DGB)
				DBB=All Manual Trans.
				DGS=4 spd. Auto. AISIN
				DGD = 3 spd. Auto (DGA)

Tow Hook and Tow Eye
1997 XJ

013-615



**1997-99 JEEP CHEROKEE (XJ)
PARTS CATALOG**

Figure 013-615
Page 013-21

Frames and Bumpers

ITEM	PART	QTY	LINE	SERIES	BODY	DESCRIPTION
Tow Hook and Tow Eye 1997 XJ						
1	11501060	2				NUT, Hex, M12x1.75
2	11500257	2				WASHER, Flat, M12x24x2.80
3	5200 0712	1				BRACKET, Tow Hook
4	3420 1964	4				BOLT, Hex Flange Head, M12x1.75x40
5	#52057 999AB	2				HOOK, Tow
6	1150 4922	2				BOLT, Hex Head, M12x1.75x50
7						REINFORCEMENT, Sill
	5200 1174	1				Right
	5200 1175	1				Left
8	3420 1353	2				RIVET, M6.3x14.02
9	5200 1644	1				EYE, Tow

JEEP CHEROKEE (LHD) & (RHD) (XJ)

SERIES	LINE	BODY	ENGINE	TRANSMISSION
L=Low Line	J=LHD(4WD) U=RHD(4WD) B=RHD(4x2) T=LHD(4x2)	74=4 Dr. 72=2 Dr.	EN0=2.5L(ENC) Diesel ER0=4.0L(ERH) EP0=2.5L(EPE)	DG0=All Auto/Trans DGW=44RE (DGB) DDQ=5 spd. AISIN DGK=42RE (DGB) DBB=All Manual Trans. DGS=4 spd. Auto. AISIN DGD= 3 spd. Auto (DGA)

AR = Use as Required; - = Non-Illustrated Part; # = New This Model Year

June 1998

ITEM	PART	QTY	LINE	SERIES	BODY	DESCRIPTION
------	------	-----	------	--------	------	-------------

**Tow Hook and Tow Eye
1997 XJ**

JEEP CHEROKEE (LHD) & (RHD) (XJ)

SERIES	LINE	BODY	ENGINE	TRANSMISSION
L=Low Line	J=LHD(4WD) U=RHD(4WD) B=RHD(4x2) T=LHD(4x2)	74=4 Dr. 72=2 Dr.	EN0=2.5L(ENC) Diesel ER0=4.0L(ERH) EP0=2.5L(EPE)	DG0=All Auto/Trans DGW=44RE (DGB) DDQ=5 spd.AISIN DGK=42RE (DGB) DBB=All Manual Trans. DGS=4 spd. Auto. AISIN DGD = 3 spd. Auto (DGA)