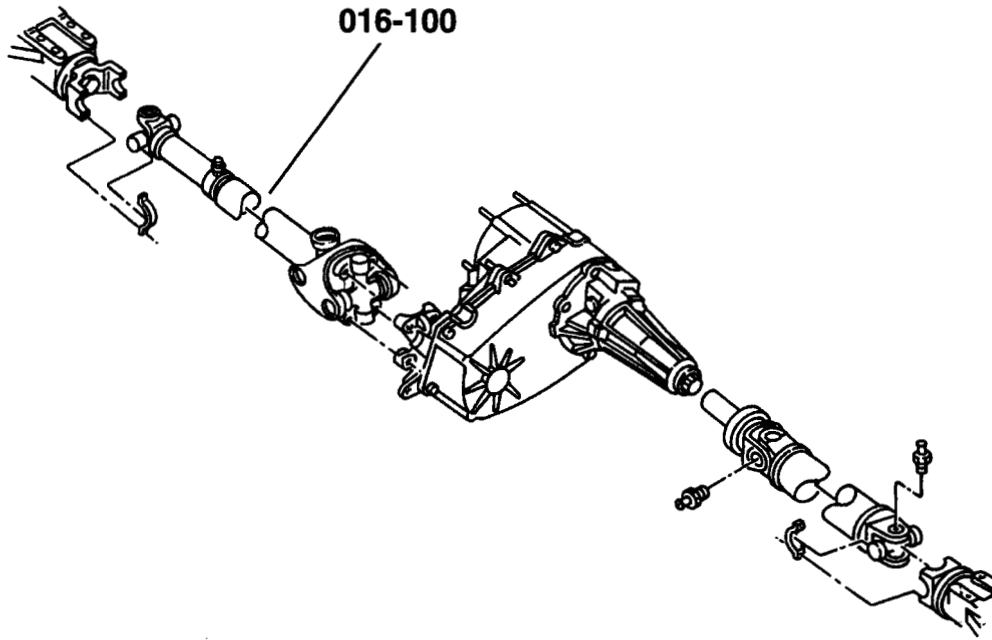
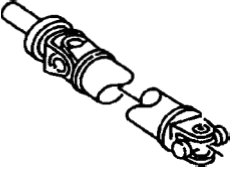


Group - 016

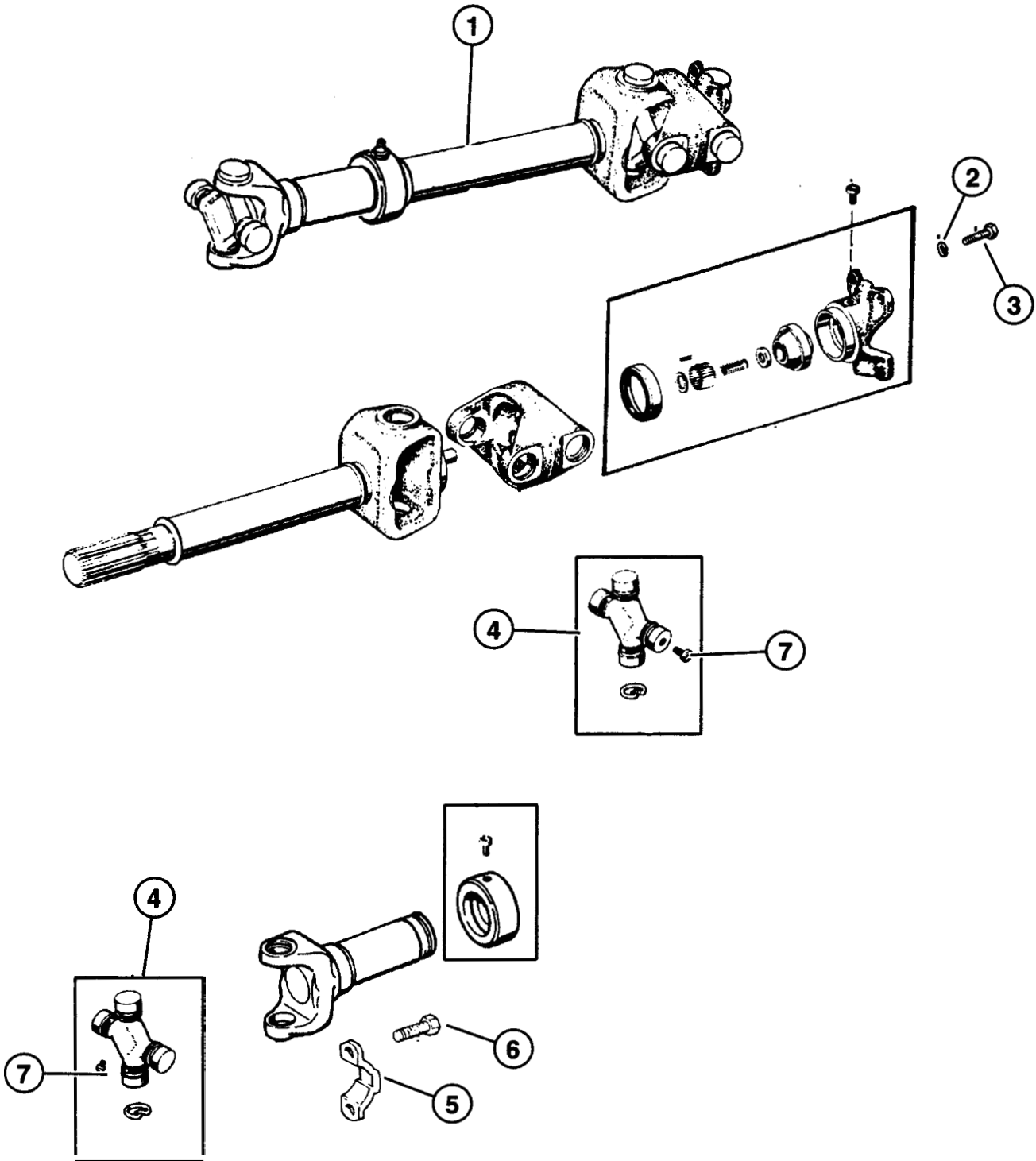
Propeller Shafts and U-Joints



<p>016-100 Propeller Shaft</p> 			
---	--	--	--

Propeller Shaft and Universal Joint, Front

016-110

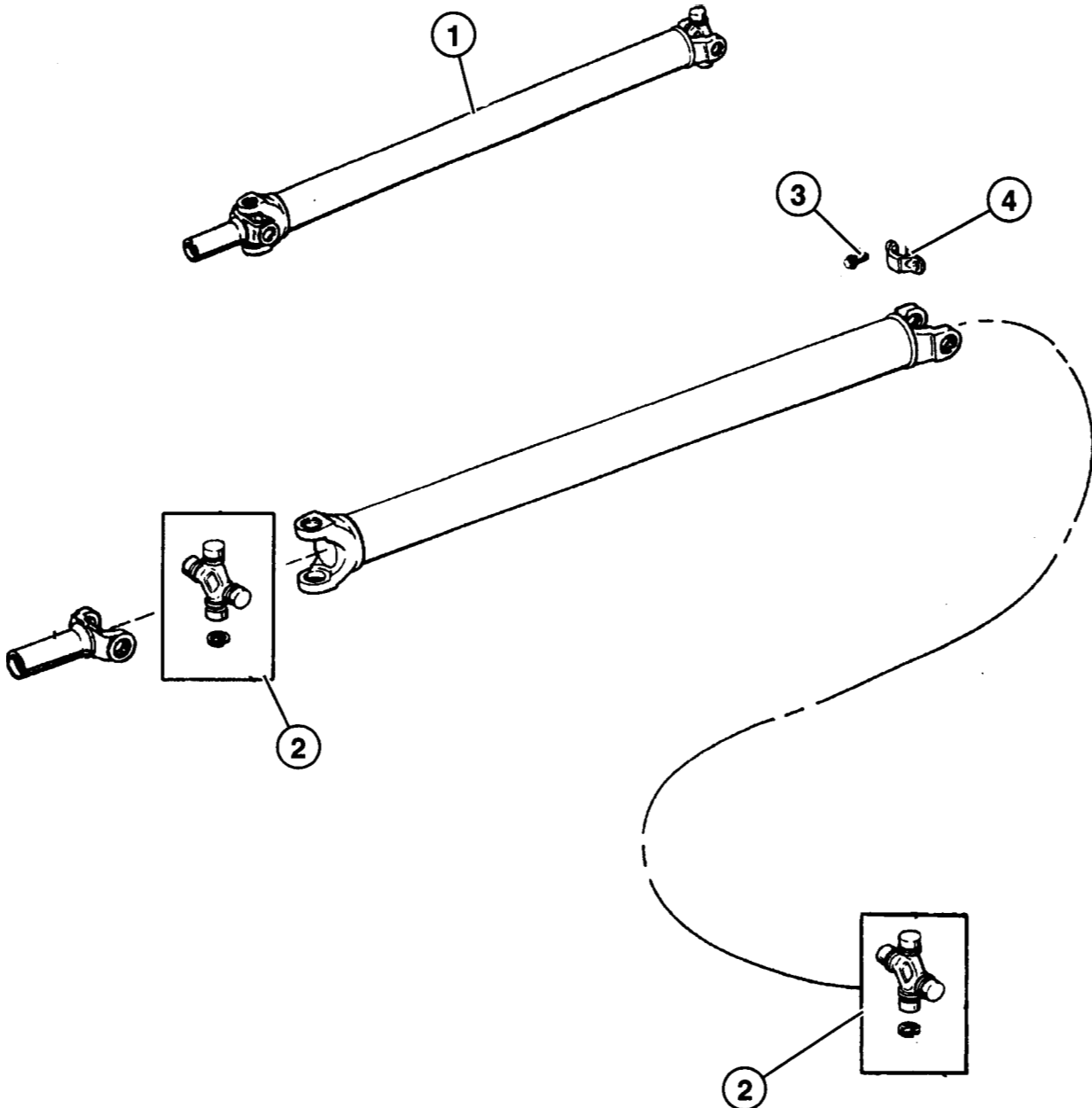


Group 016 - Propeller Shafts and U-Joints**JEEP CHEROKEE (LHD) & (RHD) (XJ)**

SERIES	LINE	BODY	ENGINE	TRANSMISSION
L=Low Line	J=LHD(4WD) U=RHD(4WD) B=RHD(4x2) T=LHD(4x2)	74=4 Dr. 72=2 Dr.	EN0=2.5L(ENC) Diesel ER0=4.0L(ERH) EP0=2.5L(EPE)	DG0=All Auto/Trans DGW=44RE (DGB) DDQ=5 spd. AISIN DGK=42RE (DGB) DBB=All Manual Trans. DGS=4 spd. Auto. AISIN DGD=3 spd. Auto (DGA)

Propeller Shaft and Universal Joint, Rear

016-120



ITEM	PART	QTY	LINE	SERIES	BODY	ENGINE	TRANS	DESCRIPTION
Propeller Shaft and Universal Joint, Front								
1	5209 8208	1	J, U			EN0		SHAFT, Front Drive with 2.5L Diesel Engine
	5300 5541	1	J, U			EPO		with 2.5L Gas Engine
	5300 5542	1	J, U			ER0	DG0	with 4.0L Engine, with Auto Trans.
	5300 5543	1	J, U			ER0	DBB	with 4.0L Engine, with Manual Trans.
2	8350 0626	1	J, U			EPO	DDQ	WASHER, Lock
3	6033 893	AR						SCREW, Hex Head, .312-24x1.17, 1997 XJ, 1999 XJ
4								U JOINT
	4882 793	1	J, U			ER0	DG0	1998 XJ
	4882 793	2	B, T			EPO	DGO	1999 XJ
	J812 6637	2	J					1997 XJ
	J812 6637	2	U					1997 XJ
5	J324 0553	2	J, U					STRAP, Prop Shaft
6	J400 6928	4						BOLT, 1997 XJ, 1999 XJ
7								FITTING PACKAGE, Grease
	8350 7064	1	B, U					1999 XJ
	8350 7064	1	J, T					1997 XJ, 1998 XJ

JEEP CHEROKEE (LHD) & (RHD) (XJ)

SERIES	LINE	BODY	ENGINE	TRANSMISSION
L=Low Line	J=LHD(4WD) U=RHD(4WD) B=RHD(4x2) T=LHD(4x2)	74=4 Dr. 72=2 Dr.	EN0=2.5L(ENC) Diesel ER0=4.0L(ERH) EP0=2.5L(EPE)	DG0=All Auto/Trans DGW=44RE (DGB) DDQ=5 spd. AISIN DGK=42RE (DGB) DBB=All Manual Trans. DGS=4 spd. Auto. AISIN DGD = 3 spd. Auto (DGA)

ITEM	PART	QTY	LINE	SERIES	BODY	ENGINE	TRANS	DESCRIPTION
------	------	-----	------	--------	------	--------	-------	-------------

Propeller Shaft and Universal Joint, Rear

JEEP CHEROKEE (LHD) & (RHD) (XJ)

SERIES	LINE	BODY	ENGINE	TRANSMISSION
L=Low Line	J=LHD(4WD) U=RHD(4WD) B=RHD(4x2) T=LHD(4x2)	74=4 Dr. 72=2 Dr.	EN0=2.5L(ENC) Diesel ER0=4.0L(ERH) EP0=2.5L(EPE)	DG0=All Auto/Trans DGW=44RE (DGB) DDQ=5 spd. AISIN DGK=42RE (DGB) DBB=All Manual Trans. DGS=4 spd. Auto. AISIN DGD= 3 spd. Auto (DGA)

ITEM	PART	QTY	LINE	SERIES	BODY	ENGINE	TRANS	DESCRIPTION
Propeller Shaft and Universal Joint, Rear								
1	5209 8731	1	J, U			ERO	DGO	SHAFT, Drive with 4.0L Engine, with Auto Trans., with Dana Axle, Four Wheel Drive, 1997 XJ, 1998 XJ
	5209 8732	1	J, U			ERO	DBB	with 4.0L Engine, with Manual Trans., with 8.25 Axle, Four Wheel Drive, 1997 XJ, 1998 XJ
	5209 8744	1	J, U			EPO		with 2.5L Gas Engine, with 8.25 Axle, Four Wheel Drive, 1997 XJ
	5209 8814	1	J, U			ERO	DGO	with 4.0L Engine, with Auto Trans., with 8.25 Axle, Four Wheel Drive, 1997 XJ, 1998 XJ
	5209 8851	1	J, U			ERO	DBB	with 4.0L Engine, with Manual Trans., with Dana Axle, Four Wheel Drive, 1997 XJ, 1998 XJ
	5209 8883	1	J, U			EPO		with 2.5L Gas Engine, with Dana Axle, Four Wheel Drive, 1997 XJ, 1998 XJ
	5209 9056	1	B, T			ERO	DGO	with 4.0L Engine, with Auto Trans., with 8.25 Axle, Two Wheel Drive
	5209 9057	1	B, T			EPO	DBB	with 2.5L Gas Engine, with Manual Trans., with 8.25 Axle, Two Wheel Drive
	5209 9064	1	B, T			ERO	DGO	with 4.0L Engine, with Auto Trans., with Dana Axle, Two Wheel Drive
	5209 9410	1	J, U			EN0	DBB	with 2.5L Diesel Engine, with 8.25 Axle, Four Wheel Drive, 1997 XJ
	5209 9422	1	J, U			EN0	DBB	with 2.5L Diesel Engine, with Dana Axle, Four Wheel Drive
	52098 732AB	1	J, U			ERO	DBB	with 4.0L Engine, with Manual Trans., with 8.25 Axle, EUROPE, Four Wheel Drive, 1997 XJ, 1998 XJ
	52098 823AB	1	J, U			ERO	DGO	with 4.0L Engine, with Auto Trans., with 8.25 Axle, EUROPE, Four Wheel Drive, 1997 XJ, 1998 XJ
	5211 1067	1	B, T			ERO	DBB	with 4.0L Engine, with Manual Trans., with 8.25 Axle, Two Wheel Drive
	5211 1068	1	B, T			ERO	DBB	with 4.0L Engine, with Manual Trans., with Dana Axle, Two Wheel Drive
	5211 1070	1	B, T			EPO	DBB	with 2.5L Gas Engine, with Manual Trans., with Dana Axle, Two Wheel Drive, 1997 XJ, 1998 XJ
2	4882 793	2	J, U			EPO		U JOINT 1999 XJ
	4882 793	2	B, T			EPO	DGO	1999 XJ
	4882 793	1	J, U			ERO	DGO	1997 XJ, 1998 XJ
3								BOLT, Hex Head, M8x1.25x50, (NOT SERVICED)
4	J324 0553	2	J, U					STRAP, Prop Shaft

JEEP CHEROKEE (LHD) & (RHD) (XJ)

SERIES	LINE	BODY	ENGINE	TRANSMISSION
L=Low Line	J=LHD(4WD) U=RHD(4WD) B=RHD(4x2) T=LHD(4x2)	74=4 Dr. 72=2 Dr.	EN0=2.5L(ENC) Diesel ER0=4.0L(ERH) EP0=2.5L(EPE)	DG0=All Auto/Trans DGW=44RE (DGB) DDQ=5 spd. AISIN DGK=42RE (DGB) DBB=All Manual Trans. DGS=4 spd. Auto. AISIN DGD = 3 spd. Auto (DGA)

