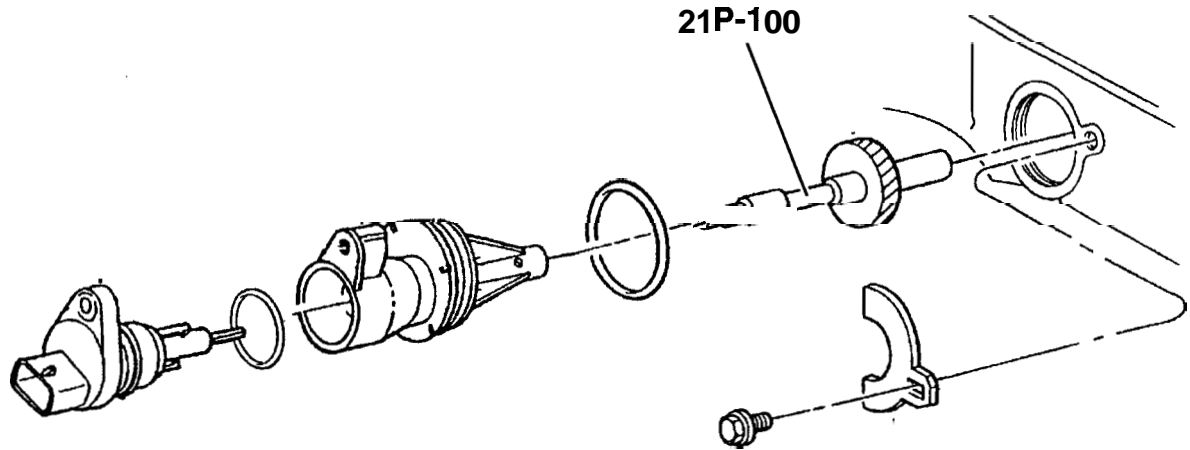
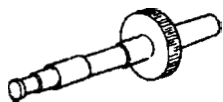


Group - 21P

Speedometer Pinions



21P-100
Speedometer Pinions



Group 21P - Speedometer Pinions

Speedometer Pinions

21P 100

Speedometer Pinion..... Fig. 21P-110

JEEP CHEROKEE (LHD) & (RHD) (XJ)

| SERIES | LINE | BODY | ENGINE | TRANSMISSION |
|---------------|--|----------------------|--|---|
| L=Low Line | J=LHD(4WD) U=RHD(4WD) B=RHD(4x2) T=LHD(4x2) | 74=4 Dr. 72=2 Dr. | EN0=2.5L(ENC) Diesel ER0=4.0L(ERH) EP0=2.5L(EPE) | DG0=All Auto/Trans DGW=44RE (DGB) DDQ=5 spd.AISIN DGK=42RE (DGB) DBB=All Manual Trans. DGS=4 spd. Auto. AISIN DGD = 3 spd. Auto (DGA) |

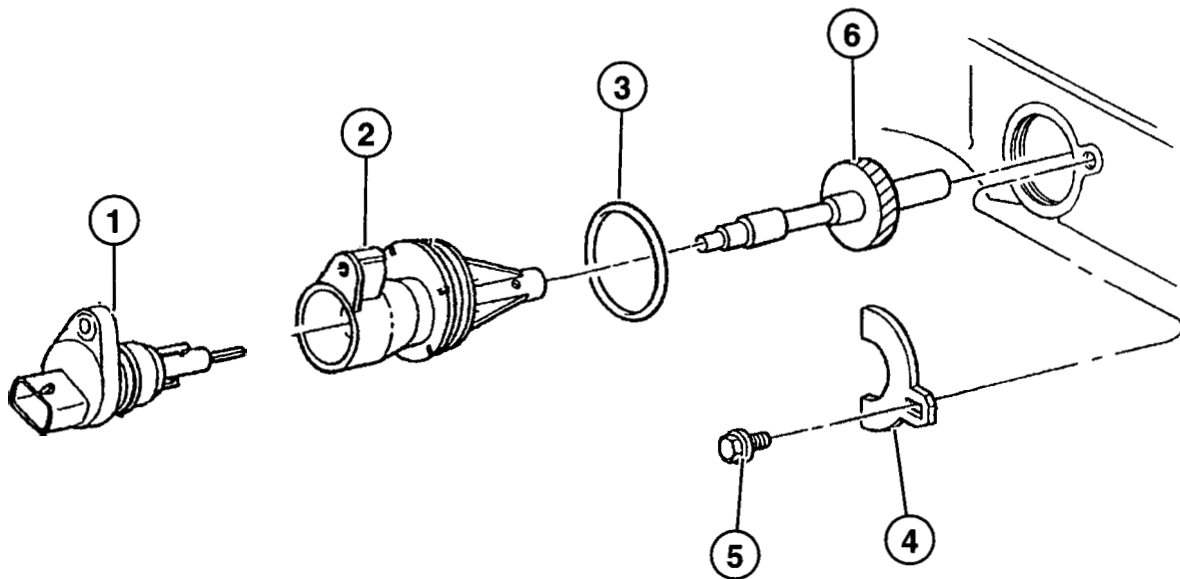
Group 21P - Speedometer Pinions

JEEP CHEROKEE (LHD) & (RHD) (XJ)

| SERIES | LINE | BODY | ENGINE | TRANSMISSION |
|------------|--|----------------------|--|--|
| L=Low Line | J=LHD(4WD) U=RHD(4WD) B=RHD(4x2) T=LHD(4x2) | 74=4 Dr. 72=2 Dr. | EN0=2.5L(ENC) Diesel ER0=4.0L(ERH) EP0=2.5L(EPE) | DG0=All Auto/Trans DGW=44RE (DGB) DDQ=5 spd. AISIN DGK=42RE (DGB) DBB=All Manual Trans. DGS=4 spd. Auto. AISIN DGD = 3 spd. Auto (DGA) |

Speedometer Pinion

21P-110



**1997-99 JEEP CHEROKEE (XJ)
PARTS CATALOG**

| ITEM | PART | QTY | LINE | SERIES | ENGINE | TRANS | DESCRIPTION |
|---------------------------|---------------|-----|------|----------|--------|-------|---|
| Speedometer Pinion | | | | | | | |
| 1 | 5602 7905 | 1 | | | | | SENSOR, Vehicle Speed |
| | 5602 8183 | 1 | | | | | 1998 XJ, 1999 XJ |
| | | | | | | | 1997 XJ |
| 2 | 52L - - - - - | 1 | | | | | HOUSING S eedometer Drive Gear |
| 3 | 6035 709 | 1 | | | | | O RING, Trans Speedo Adapter |
| 4 | 2892 399 | 1 | | | | | CLAMP, Speedometer |
| 5 | 0180 077 | 1 | | | | | BOLT, Hex Head, 5/16x18x3/4 |
| 6 | | | | | | | PINION, Speedometer Drive |
| | 5206 7629 | 1 | | | | | 3.07 AXLE RATIO, 29 Teeth. P225/75R15 Wrangler RT/S AT |
| | 5206 7630 | 1 | | | | | 1999 XJ |
| | 5206 7630 | 1 | | | | | 3.07 AXLE RATIO, 30 Teeth. All P215/75R15/ R16/R17, P225/70R15 (OWL) eagle GA A/S., 1997 XJ, 1998 XJ |
| | 5206 7633 | 1 | | | | | 3.50 AXLE RATIO, 33 Teeth. P225/75R15 Wrangler RT/S AT Michelin., 1997 XJ |
| | 5206 7634 | 1 | | | | | 3.55 AXLE RATIO, 1999 XJ |
| | 5206 7634 | 1 | | | | | 3.50 AXLE RATIO, 34 Teeth. P225/75R15 Wrangler RTIS AT Goodyear., 1997 XJ, 1998 XJ |
| | 5206 7635 | 1 | | | | | 3.50 AXLE RATIO, 35 Teeth P215/75R15 BSW A/S Wrangler AP |
| | 5206 7635 | 1 | | | | | 3.70 AXLE RATIO, 35 Teeth. P225/75R15 Wrangler RT/S AT Michelin., 1997 XJ |
| | 5206 7635 | 1 | | | | | 3.50 AXLE RATIO, 35 Teeth. P225/70R15 High Speed Rated Eagle GA, P225/70R15 (OWL) Eagle GA A/S., 1997 XJ, 1998 XJ |
| | 5206 7636 | 1 | | | | | 3.73 AXLE RATIO, 1999 XJ |
| | 5206 7636 | 1 | | | | | 3.70 AXLE RATIO, 36 Teeth. P225/75R15 Wrangler RT/S AT, P225/75R15 (OWL) A/S Goodyear Tires., 1997 XJ, 1998 XJ |
| | 5206 7637 | 1 | | | | | 3.70 AXLE RATIO, 37 Teeth. All P215R15/R16/ R17 Tires. P225/70R15 (OWL) Eagle GA A/S Tires., 1997 XJ, 1998 XJ |
| | 5206 7639 | 1 | | EPE | | | 4.11 AXLE RATIO, 39 Teeth. P215/75R15 Wrangler RTIS AT. |
| | 5206 7640 | 1 | | EPE | | | 4.11 AXLE RATIO, 40 Teeth. All P215R15/R16/ R17 Tires. |
| | 5206 7641 | 1 | | EPE, ERO | | | 4.11 AXLE RATIO, 41 Teeth. P225/70R15 (OWL) A/S., 1997 XJ, 1998 XJ |

JEEP CHEROKEE (LHD) & (RHD) (XJ)

| SERIES | LINE | BODY | ENGINE | TRANSMISSION |
|------------|--|----------------------|--|--|
| L=Low Line | J=LHD(4WD) U=RHD(4WD) B=RHD(4x2) T=LHD(4x2) | 74=4 Dr. 72=2 Dr. | EN0=2.5L(ENC) Diesel ER0=4.0L(ERH) EP0=2.5L(EPE) | DG0=All Auto/Trans DGW=44RE (DGB) DDQ=5 spd. AISIN DGK=42RE (DGB) DBB=All Manual Trans. DGS=4 spd. Auto. AISIN DGD = 3 spd. Auto (DGA) |

| ITEM | PART | QTY | LINE | SERIES | ENGINE | TRANS | DESCRIPTION |
|------|------|-----|------|--------|--------|-------|-------------|
|------|------|-----|------|--------|--------|-------|-------------|

Speedometer Pinion

JEEP CHEROKEE (LHD) & (RHD) (XJ)

| SERIES | LINE | BODY | ENGINE | TRANSMISSION |
|------------|--|----------------------|--|--|
| L=Low Line | J=LHD(4WD) U=RHD(4WD) B=RHD(4x2) T=LHD(4x2) | 74=4 Dr. 72=2 Dr. | EN0=2.5L(ENC) Diesel ER0=4.0L(ERH) EP0=2.5L(EPE) | DG0=All Auto/Trans DGW=44RE (DGB) DDQ=5 spd. AISIN DGK=42RE (DGB) DBB=All Manual Trans. DGS=4 spd. Auto. AISIN DGD = 3 spd. Auto (DGA) |