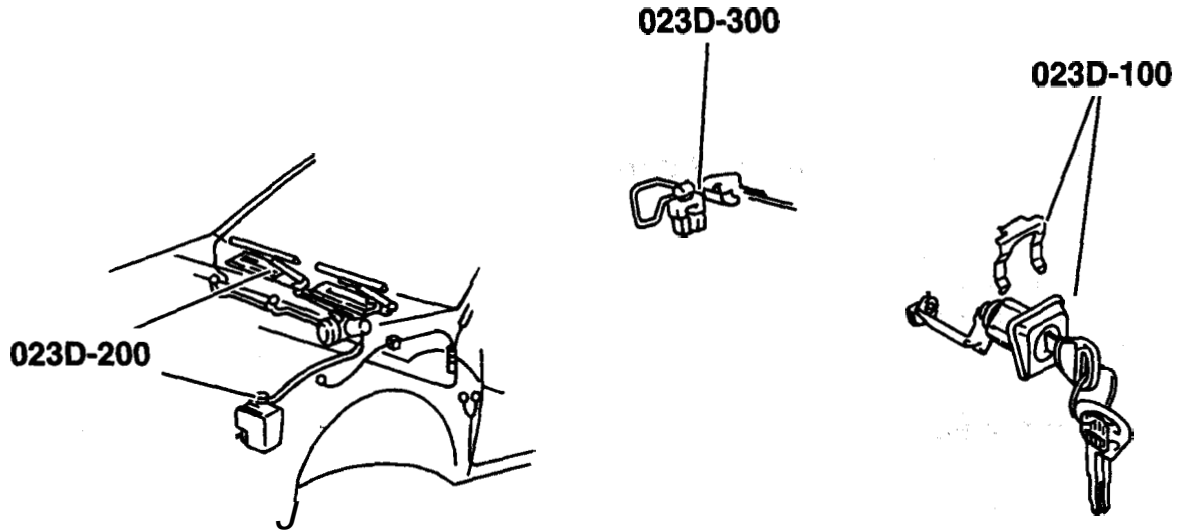
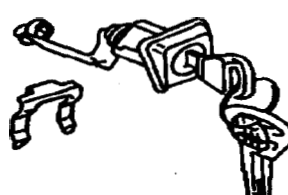
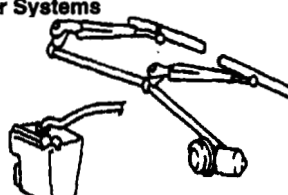
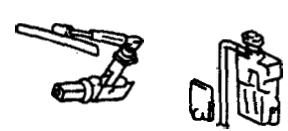


# Group - 0230

## Wiper/Lock Cylinder and Keys



<p><b>023D-100</b> Lock Cylinders and Keys</p> 	<p><b>023D-200</b> Windshield Wiper and Washer Systems</p> 	<p><b>0230-300</b> Rear Wiper and Washer System</p> 	
--	--	--	--

**Group 023D - Wiper/Lock Cylinder and Keys**

**Lock Cylinders and Keys**

**023D 100**

Lock Cylinders and Keys 1998 XJ .....	Fig. 023D-120
Lock Cylinders and Keys 1999 XJ .....	Fig. 023D-120
Lock Cylinders and Keys Cherokee XJ 1997 XJ .....	Fig. 023D-120

**Windshield Wiper and Washer Systems**

**023D 200**

Windshield Wiper and Washer L.H.D. 1997 XJ 1998 XJ .....	Fig. 023D-220
Windshield Wiper and Washer L.H.D. 1999 XJ .....	Fig. 023D-220
Windshield Wiper and Washer R.H.D. 1997 XJ 1998 XJ .....	Fig. 023D-222
Windshield Wiper and Washer R.H.D. 1999 XJ .....	Fig. 023D-222

**Rear Wiper and Washer System**

**023D 300**

Rear Wiper and Washer 1997 XJ 1998 XJ .....	Fig. 023D-320
Rear Wiper and Washer 1999 XJ .....	Fig. 023D-320

**JEEP CHEROKEE (LHD) & (RHD) (XJ)**

SERIES	LINE	BODY	ENGINE	TRANSMISSION
L=Low Line	J=LHD(4WD) U=RHD(4WD) B=RHD(4x2) T=LHD(4x2)	74=4 Dr. 72=2 Dr.	EN0=2.5L(ENC) Diesel ER0=4.0L(ERH) EP0=2.5L(EPE)	DG0=All Auto/Trans DGW=44RE (DGB) DDQ=5 spd.AISIN DGK=42RE (DGB) DBB=All Manual Trans. DGS=4 spd. Auto. AISIN DGD= 3spd. Auto (DGA)

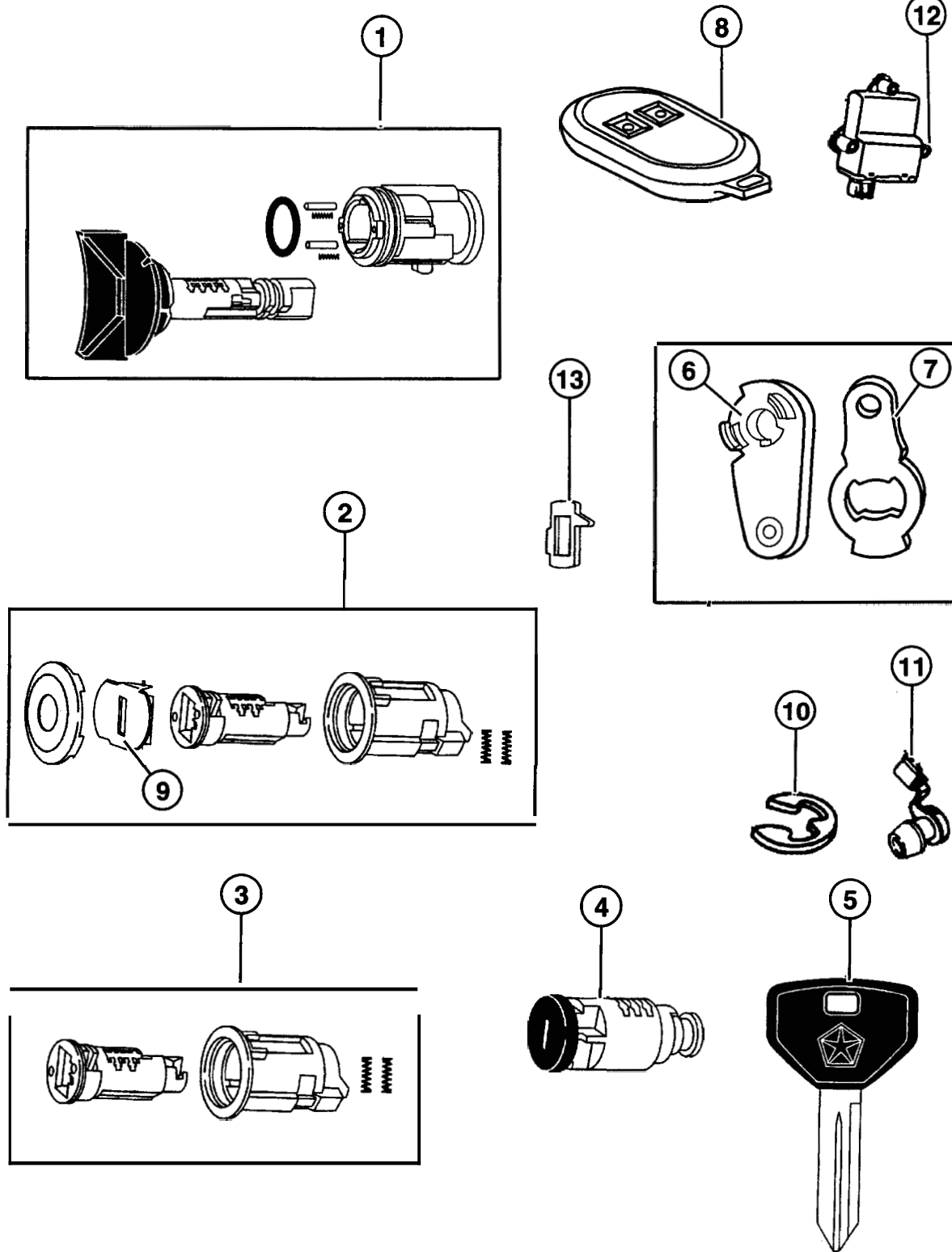
## Group 023D - Wiper/Lock Cylinder and Keys

## JEEP CHEROKEE (LHD) &amp; (RHD) (XJ)

SERIES	LINE	BODY	ENGINE	TRANSMISSION
L=Low Line	J=LHD(4WD) U=RHD(4WD) B=RHD(4x2) T=LHD(4x2)	74=4 Dr. 72=2 Dr.	EN0=2.5L(ENC) Diesel ER0=4.0L(ERH) EP0=2.5L(EPE)	DG0=All Auto/Trans DGW=44RE (DGB) DDQ=5 spd. AISIN DGK=42RE (DGB) DBB=All Manual Trans. DGS=4 spd. Auto. AISIN DGD = 3 spd. Auto (DGA)

Lock Cylinders and Keys  
Cherokee XJ 1997 XJ

023D-120



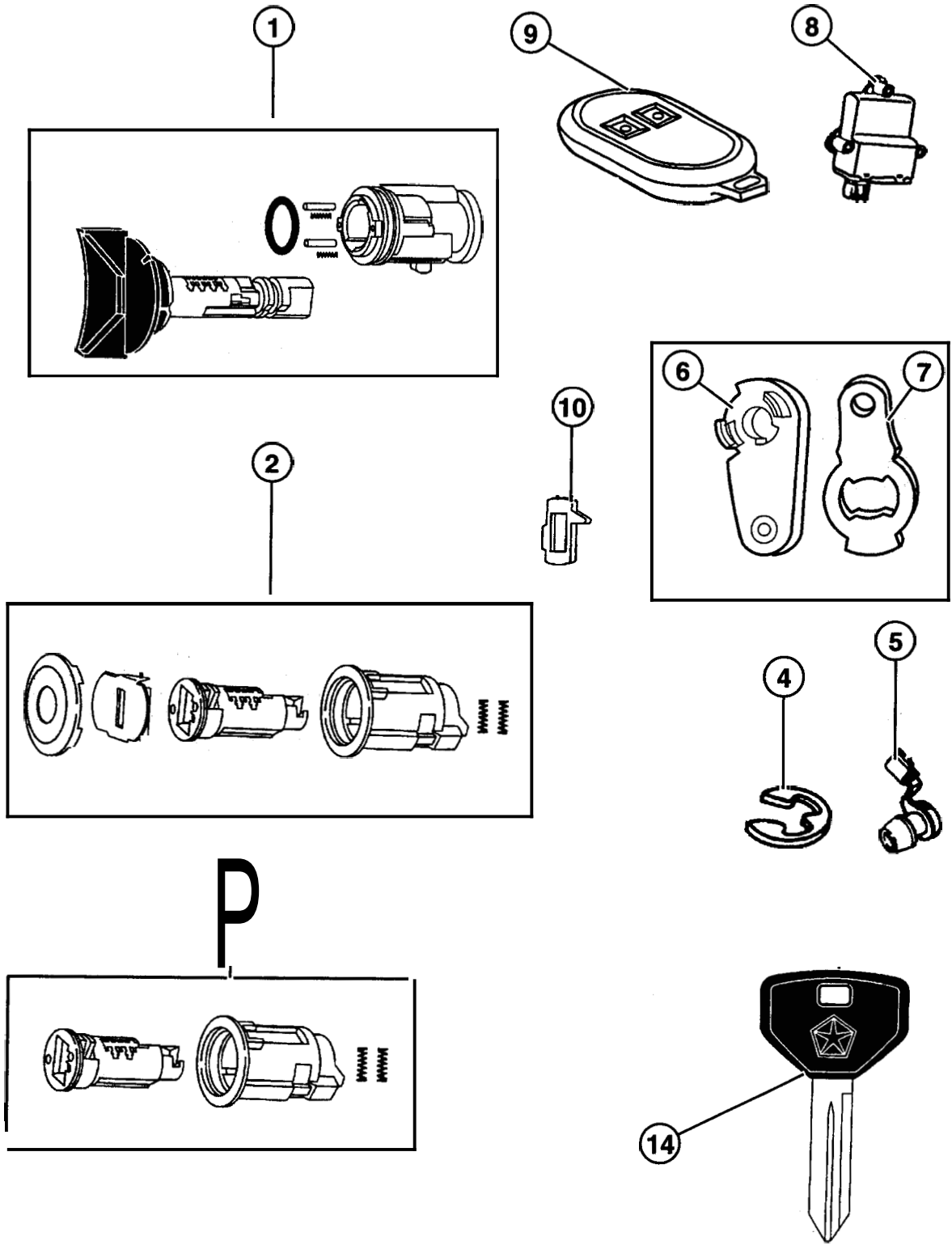
ITEM	PART	QTY	LINE	BODY	DESCRIPTION
<b>Lock Cylinders and Keys Cherokee XJ 1997 XJ</b>					
1	4746 667	1			CYLINDER LOCK PACKAGE, Ignition, Black Plastic
2	4864651	1			CYLINDER, Door Lock
3	4778 125	1			CYLINDER LOCK PACKAGE, Door or Liftgate, Bright
4	4746 315	AR			CYLINDER, Glove Box Lock
5	4746 316	2			KEY, Blank
6	5507 5824	1			LEVER, Door Lock Cylinder
7	5507 5838	1			LEVER, Liftgate Lock Cylinder
8					TRANSMITTER, Keyless Entry
	#5600 8968	1			w/o Immobilizer
	#5600 8969	1			w/ Immobilizer, Mandatory ( NEW ZEALAND,)Not Available in (JAPAN)
9	4778 150	1			SHUTTER, Door, Deck and Liftgate, Bright
10	6026 125	1			CLIP, Cylinder Retainer
11					CLIP, Latch
	4658 444	1			Purple
	4658 445	1			Orange
12					RECEIVER, Keyless Entry
	#56009 387AB	1			w/Full Console EUROPE, Mandatory ( NEW ZEALAND,)Not Available in ( JAPAN)
	#56009 390AB	1			w/Full Console
	#56009 390AB	1			w/ mini Dome EUROPE
13	5257 132	AR			TUMBLER, Ignition Number 1
-14	5257 133	AR			TUMBLER, Ignition Number 2
-15	5257 134	AR			TUMBLER, Ignition Number 3
-16	5257 135	AR			TUMBLER, Ignition Number 4
-17	4778 117	1			TUMBLER, Door and Deck Number 1, Wide
-18	4778 118	1			TUMBLER, Door and Deck Number 2, Wide
-19	4778 119	1			TUMBLER, Door and Deck Number 3, Wide
-20	4378 793	1			SPRING, Cylinder Return
-21	4778 120	1			TUMBLER, Door and Deck Number 4, Wide
-22	4778 121	1			SPRING, Door and Deck Tumbler
-23	#5600 9389	2			TRANSMITTER, Anti Theft, Mandatory ( EUROPEAN, NEW ZEALAND,)Not Available in ( JAPAN)
-24	#56009 920AA	1			LABEL, General Information, EUROPE
-25	#56009 388AB	1			RECEIVER, Vehicle Immobilizer,w/Mini Dome EUROPE
-26	#5523 5561	2			GASKET, Door Lock Cylinder, Black
-27	8350 4802	2			BATTERY, Transmitter

**JEEP CHEROKEE (LHD) & (RHD) (XJ)**

SERIES	LINE	BODY	ENGINE	TRANSMISSION
L=Low Line	J=LHD(4WD) U=RHD(4WD) B=RHD(4x2) T=LHD(4x2)	74=4 Dr. 72=2 Dr.	EN0=2.5L(ENC) Diesel ER0=4.0L(ERH) EP0=2.5L(EPE)	DG0=All Auto/Trans DGW=44RE (DGB) DDQ=5 spd.AISIN DGK=42RE (DGB) DBB=All Manual Trans. DGS=4 spd. Auto. AISIN DGD= 3 spd. Auto (DGA)

Lock Cylinders and Keys  
1998 XJ

023D-120



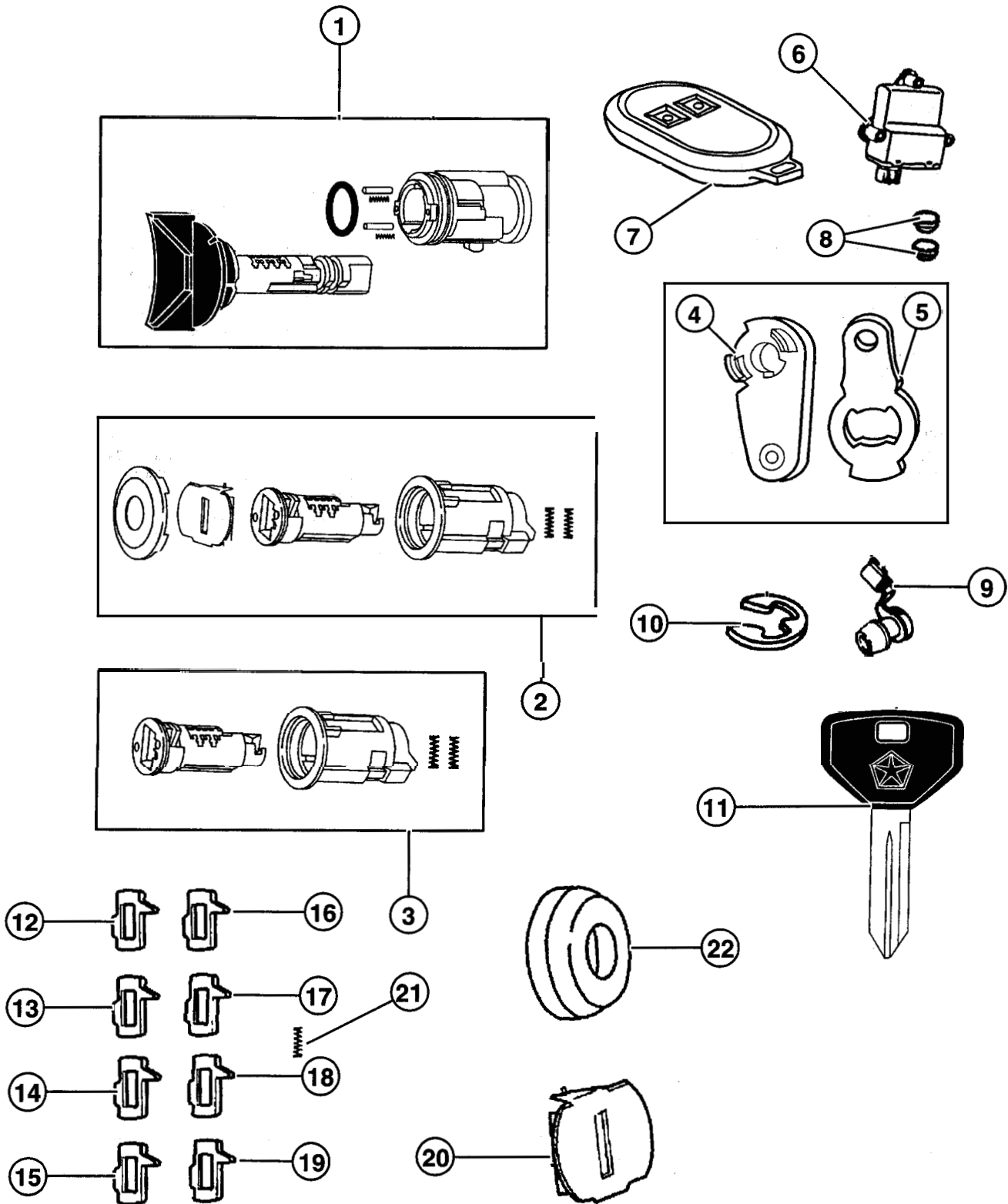
ITEM	PART	QTY	LINE	BODY	DESCRIPTION
<b>Lock Cylinders and Keys 1998 XJ</b>					
1	#5003 843AA	1			CYLINDER, Ignition Lock USA
	#5003 843AA	1			EUROPE
		1			CYLINDER LOCK DOOR OR LIFTGATE, BRIGHT
3	4746 315	AR			CYLINDER, Glove Box Lock
4	6026 125	1			CLIP, Retainer
5					CLIP, Latch
	4658 444	1			Purple
	4658 445	1			Orange
6	5507 5824	1			LEVER, Door Lock Cylinder
7	5507 5838	1			LEVER, Liftgate Lock Cylinder
8					RECEIVER, Keyless Entry
	#56009 387AC	1			w/Immobilizer & w/Full Console (EUROPE)
	#56009 387AC	1			w/Immobilizer & w/Mini Dome Assembly (EUROPE)
	#56009 390AC	1			w/o Immobilizer & w/Full Console
	#56009 390AC	1			w/o Immobilizer & w/Mini Dome Assembly
9					TRANSMITTER, Keyless Entry
	5600 8968	1			w/o Immobilizer
	5600 8969	1			w/Immobilizer, Mandatory ( NEW ZEALAND,)Not Available in ( JAPAN)
10	5257132	AR			TUMBLER, Ignition Number 1, Glovebox/Ignition
-11	5257 133	AR			TUMBLER, Ignition Number 2, Glovebox/Ignition
-12	5257134	AR			TUMBLER, Ignition Number 3, Glovebox/Ignition
-13	5257 135	AR			TUMBLER, Ignition Number 4, Glovebox/Ignition
14	4746316	2			KEY, Blank
-15	#5010 366AA	1			KEY, Master, w/Immobilizer
-16	#55314 965AB	1			TRIM RING, Ignition Key Cylinder

**JEEP CHEROKEE (LHD) & (RHD) (XJ)**

SERIES	LINE	BODY	ENGINE	TRANSMISSION
L=Low Line	J=LHD(4WD) U=RHD(4WD) B=RHD(4x2) T=LHD(4x2)	74=4 Dr. 72=2 Dr.	EN0=2.5L(ENC) Diesel ER0=4.0L(ERH) EP0=2.5L(EPE)	DG0=All Auto/Trans DGW=44RE (DGB) DDQ=5 spd.AISIN DGK=42RE (DGB) DBB=All Manual Trans. DGS=4 spd. Auto. AISIN DGD = 3 spd. Auto (DGA)

Lock Cylinders and Keys  
1999 XJ

023D-120





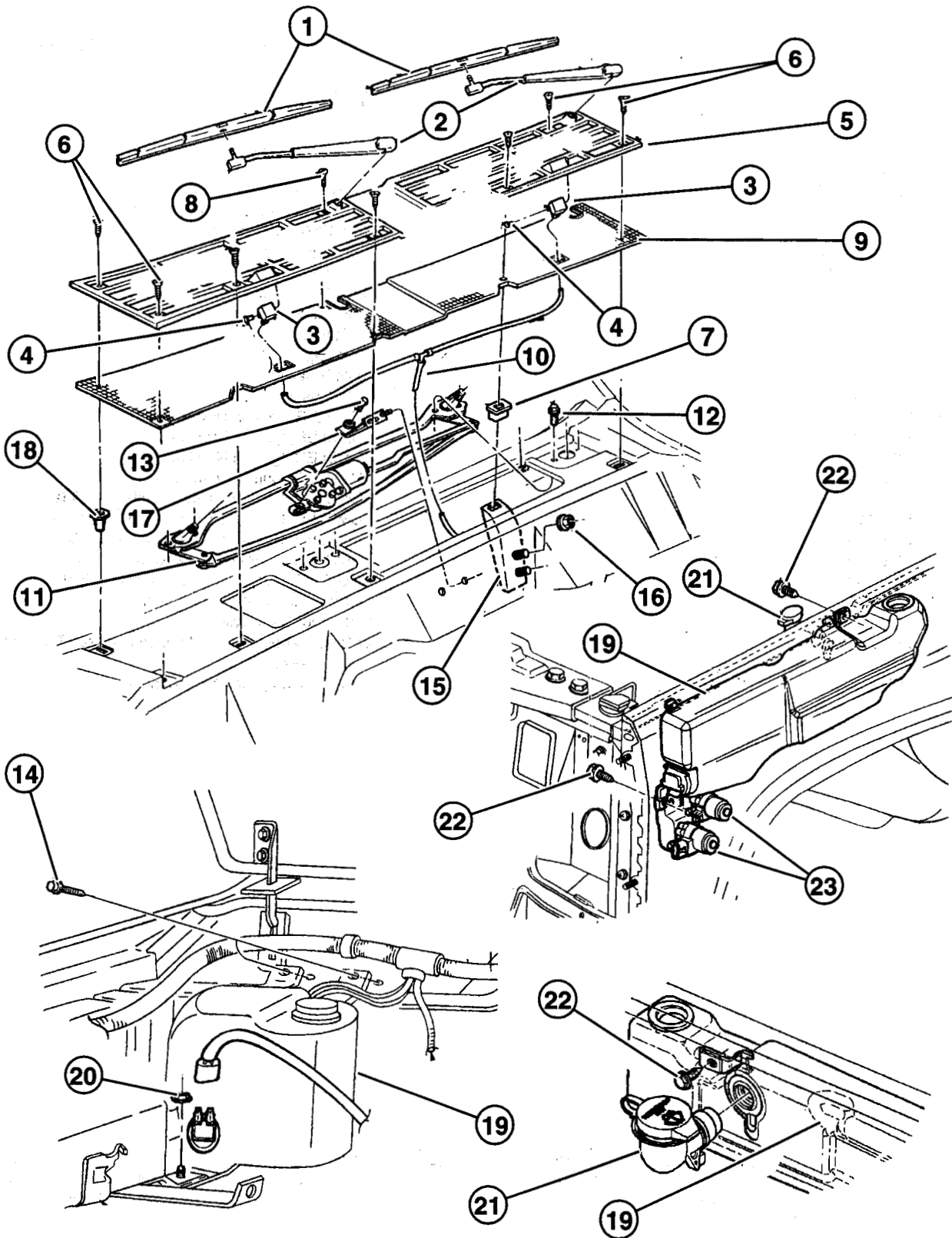
ITEM	PART	QTY	LINE	BODY	DESCRIPTION
<b>Lock Cylinders and Keys 1999 XJ</b>					
1	5003 843AA	1			CYLINDER, Ignition Lock
2	4778 125	1			CYLINDER LOCK, DOOR OR LIFTGATE. BRIGHT
3	4746 315	AR			CYLINDER, Glove' Box Lock
4	5507 5824	1			LEVER, Door Lock Cylinder
5	5507 5838	1			LEVER, Liftgate Lock Cylinder
6					RECEIVER, Keyless Entry w/Immobilizer (EUROPE)
	56009 387AC	1			
	#56009 390AD	1			
	#56009 390AD	1			w/o Immobilizer (EUROPE)
	#56009 390AD	1			w/o Immobilizer (USA/CANADA)
7					TRANSMITTER, Keyless Entry
	#56036 859AB	2			w/o Immobilizer
	#56036 862AB	2			w/Immobilizer
8	8350 4802	2			BATTERY, Transmitter
9					CLIP, Latch
	4658 444	1			Purple
	4658 445	1			Orange
10	6026125	1			CLIP, Retainer
11	5010 366AA	2			KEY, Master
12	5257 132	1			TUMBLER, Ignition Number 1
13	5257 133	AR			TUMBLER, Ignition Number 2
14	5257 134	AR			TUMBLER, Ignition Number 3
15	5257135	1			TUMBLER, Ignition Number 4
16	4778117	1			TUMBLER, Door and Deck Number 1, Wide
17	4778118	1			TUMBLER, Door and Deck Number 2, Wide
18	4778119	1			TUMBLER, Door and Deck Number 3, Wide
19	4778 120	1			TUMBLER, Door and Deck Number 4, Wide
20	4778 150	1			SHUTTER, Door, Deck and Liftgate, Bright
21	4778 121	1			SPRING, Door and Deck Tumbler
22	4882 178	1			CAP, Door Lock Cylinder
-23	56009 920AD	1			LABEL, General Information, Immobilizer, Transmitter & Receiver
-24	55314 965AB	1			TRIM RING, Ignition Key Cylinder

**JEEP CHEROKEE (LHD) & (RHD) (XJ)**

SERIES	LINE	BODY	ENGINE	TRANSMISSION
L=Low Line	J=LHD(4WD) U=RHD(4WD) B=RHD(4x2) T=LHD(4x2)	74=4 Dr. 72=2 Dr.	EN0=2.5L(ENC) Diesel ER0=4.0L(ERH) EP0=2.5L(EPE)	DG0=All Auto/Trans DGW=44RE (DGB) DDQ=5 spd. AISIN DGK=42RE (DGB) DBB=All Manual Trans. DGS=4 spd. Auto. AISIN DGD = 3 spd. Auto (DGA)

Windshield Wiper and Washer L.H.D.  
1997 XJ 1998 XJ

023D-220



ITEM	PART	QTY	LINE	BODY	DESCRIPTION
<b>Windshield Wiper and Washer L.H.D. 1997 XJ 1998 XJ</b>					
1					BLADE, Wiper
	5515 5650	2	J, T		
	5515 5652	2	B, U		1998 XJ
2					ARM, Wiper
	5515 5649	2	J, T		
	5515 5651	2	B, U		1998 XJ
3	5600 1601	2			NOZZLE, Washer, Windshield
4	J400 4262	2			PIN, Push, .15x.41
5					GRILLE, Cowl Panel
	5500 8832	1	J, T		
	5502 7696	1	B, U		1998 XJ
6	3420 1230	7			SCREW, Round Washer Head AB
7					NUT, Snap In, M4.2 x 1.41
	3420 1872	1			1998 XJ
	3420 1872	2			1997 XJ
8					SCREW, .164-18x.625, (NOT SERVICED)
9					SCREEN, Cowl
	5500 8833	1	J, T		
	5502 7697	1	B, U		1998 XJ
10					HOSE, Windshield Washer, (NOT SERVICED)
11					MOTOR, Wiper
	5515 5297	1	J, T		
	5515 5300	1	B, U		1998 XJ
12					SCREW, Pan Plastite, M7.25x3.18x25.00 (NOT REQUIRED), 1998 XJ
	3420 1496	4			1997 XJ
13	3420 1686	1			BOLT, Hex Flange Head, M12x1.18x35
14	6101 786	2			SCREW, Self Tapping, M6x1x15
15	5523 5370	1	J, T		BRACKET, Grille To Cowl Extension
16	3420 1358	1	J, T		NUT AND WASHER, Hex Nut-Sealing Washer, M6 x 1.00
17	5515 4526	1	J, T		BRACKET, Wiper Motor
18	J400 5242	5			NUT, Push
19					RESERVOIR, Washer
	4778 344	1			w/Sensor
	4778 345	1			w/o Sensor
20					NUT AND WASHER, Hex Nut-Coned Washer, M6 x 1.00
	6100 047	1			1997 XJ
	6100 047	1			2.5L Engine, 1998 XJ
	6100 047	1			4.0L Engine, 1998 XJ
21	5515 4812	1			FILLER NECK AND CAP, Washer Reservoir
22					BOLT AND WASHER, Hex Head, .19-16x.75 (NOT REQUIRED), 1998 XJ
	6033 567	2			1997 XJ
23					PUMP, Washer, Windshield
	4778 347	1			Front
	4778 348	1			Rear
-24					CAP, Washer Reservoir (NOT REQUIRED), 1998 XJ
	4630 249	1			1997 XJ

**JEEP CHEROKEE (LHD) & (RHD) (XJ)**

SERIES	LINE	BODY	ENGINE	TRANSMISSION
L=Low Line	J=LHD(4WD) U=RHD(4WD) B=RHD(4x2) T=LHD(4x2)	74=4 Dr. 72=2 Dr.	EN0=2.5L(ENC) Diesel ER0=4.0L(ERH) EP0=2.5L(EPE)	DG0=All Auto/Trans DGW=44RE (DGB) DDQ=5 spd. AISIN DGK=42RE (DGB) DBB=All Manual Trans. DGS=4 spd. Auto. AISIN DGD= 3 spd. Auto (DGA)

**1997-99 JEEP CHEROKEE (XJ)  
PARTS CATALOG**

Wiper/Lock Cylinder and Keys

ITEM	PART	QTY	LINE	BODY	DESCRIPTION
------	------	-----	------	------	-------------

**Windshield Wiper and Washer L.H.D.  
1997 XJ 1998 XJ**

-25	4778 346	1			GROMMET, Washer Reservoir, Sensor/Pump
-26	4778 350	1			GROMMET, Washer Reservoir, Filler Neck

**JEEP CHEROKEE (LHD) & (RHD) (XJ)**

SERIES	LINE	BODY	ENGINE	TRANSMISSION
L=Low Line	J=LHD(4WD) U=RHD(4WD) B=RHD(4x2) T=LHD(4x2)	74=4 Dr. 72=2 Dr.	EN0=2.5L(ENC) Diesel ER0=4.0L(ERH) EP0=2.5L(EPE)	DG0=All Auto/Trans DGW=44RE (DGB) DDQ=5 spd. AISIN DGK=42RE (DGB) DBB=All Manual Trans. DGS=4 spd. Auto. AISIN DGD = 3 spd. Auto (DGA)

ITEM	PART	QTY	LINE	BODY	DESCRIPTION
------	------	-----	------	------	-------------

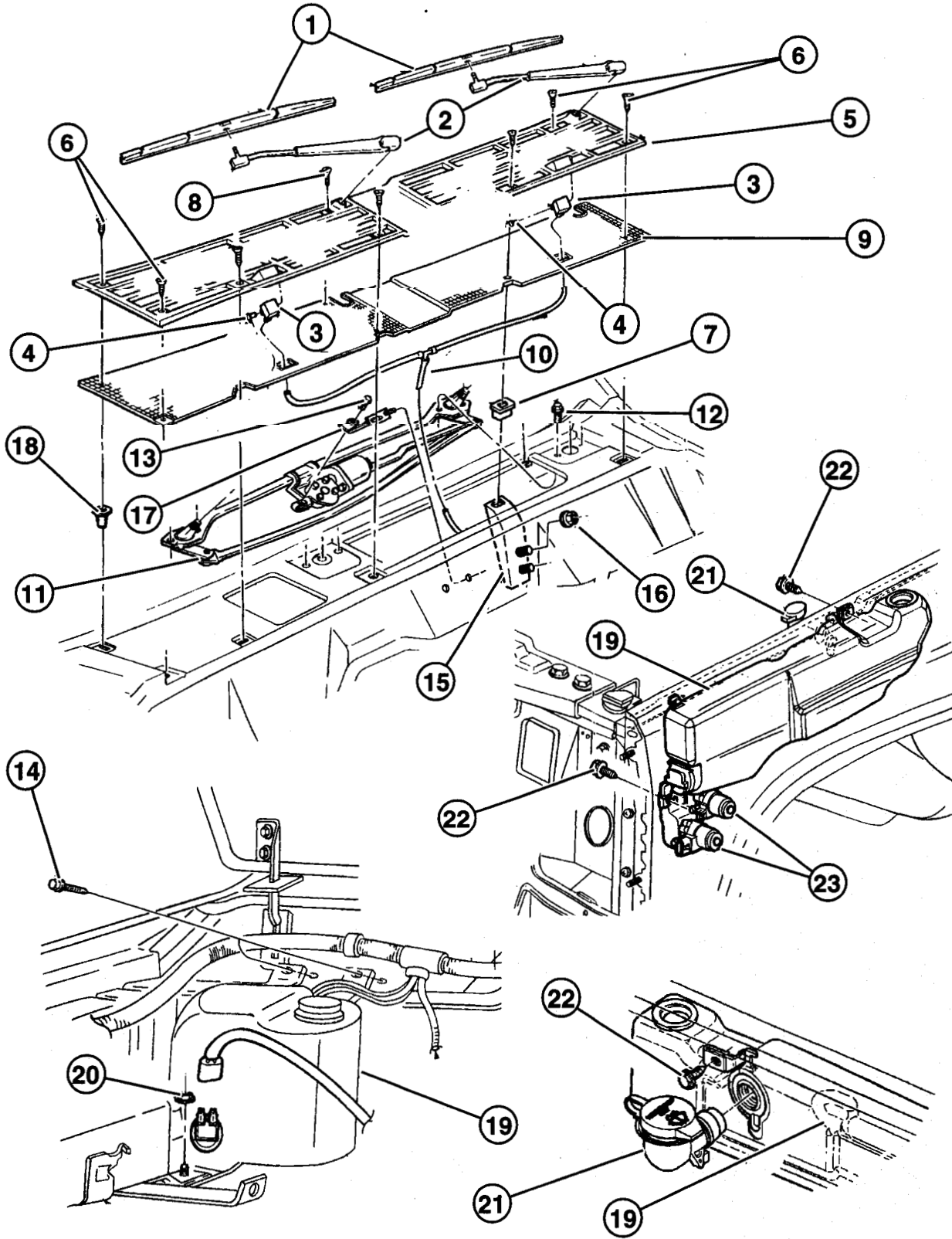
**Windshield Wiper and Washer L.H.D.  
1997 XJ 1998 XJ**

**JEEP CHEROKEE (LHD) & (RHD) (XJ)**

SERIES	LINE	BODY	ENGINE	TRANSMISSION
L=Low Line	J=LHD(4WD) U=RHD(4WD) B=RHD(4x2) T=LHD(4x2)	74=4 Dr. 72=2 Dr.	EN0=2.5L(ENC) Diesel ER0=4.0L(ERH) EP0=2.5L(EPE)	DG0=All Auto/Trans DGW=44RE (DGB) DDQ=5 spd. AISIN DGK=42RE (DGB) DBB=All Manual Trans. DGS=4 spd. Auto. AISIN DGD = 3 spd. Auto (DGA)

Windshield Wiper and Washer L.H.D.  
1999 XJ

023D-220



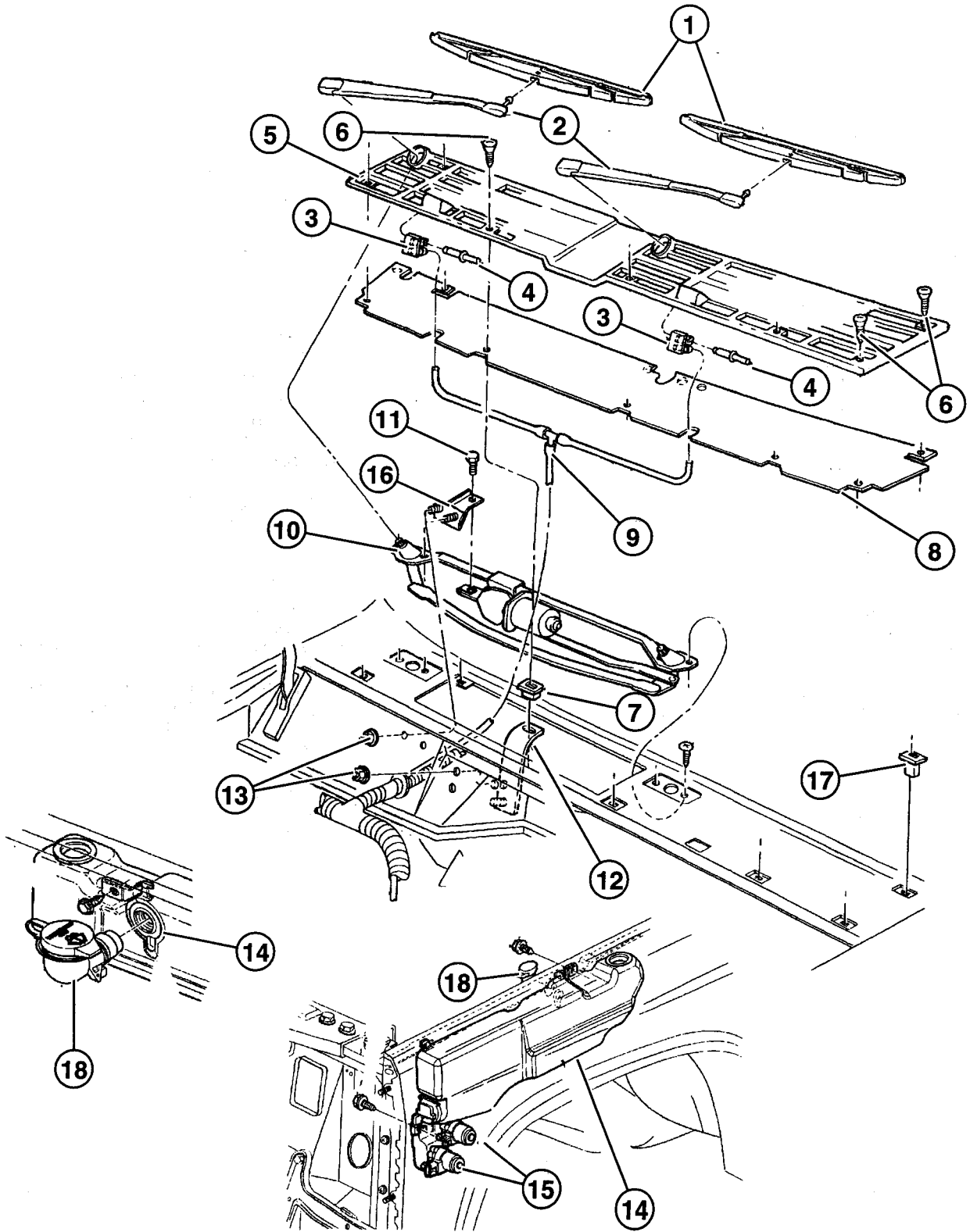
ITEM	PART	QTY	LINE	BODY	DESCRIPTION
<b>Windshield Wiper and Washer L.H.D. 1999 XJ</b>					
1					BLADE, Wiper
	5515 5650	2	J, T		
	5515 5652	2	B, U		
2	5515 5649	2	J, T		ARM, Wiper
3	5600 1601	2			NOZZLE, Washer, Windshield
4	J400 4262	2			PIN, Push, .15x.41
5	5500 8832	1	J, T		GRILLE, Cowl Panel
6	3420 1230	7			SCREW, Round Washer Head AB
7	3420 1872	AR			NUT, Snap In, M4.2 x 1.41
8					SCREW, .164-18x.625, (NOT SERVICED)
9	5500 8833	1	J, T		SCREEN, Cowl
10					HOSE, Windshield Washer
	55155 041AB	1			
	#55155 041AC	1			
11					MOTOR, Wiper
	4856 478	1	J, T		w/o Pivot
	5515 5297	1	J, T		w/Pivot
12	3420 1496	4			SCREW, Pan Plastite, M7.25x3.18x25.00
13	3420 1686	2			BOLT, Hex Flange Head, M12x1.18x35
14	6101 786	2			SCREW, Self Tapping, M6x1x15
15	55235 370AB	1	J, T		BRACKET, Grille To Cowl Extension
16	3420 1358	2			NUT AND WASHER, Hex Nut-Sealing Washer, M6 x 1.00
17					BRACKET, Wiper Motor
	5500 3036	1	J, T		w/o Grommet
	5515 4526	1	J, T		w/Grommet
18	0441 263	2			NUT, Push
19					RESERVOIR, Washer
	4778 344	1			w/Sensor
	4778 345	1			w/o Sensor
20	6100 047	1			NUT AND WASHER, Hex Nut-Coned Washer, M6 x 1.00
21	55154 812AB	1			FILLER NECK AND CAP, Washer Reservoir
22	6033 567	2			BOLT AND WASHER, Hex Head, .19-16x.75
23					PUMP, Washer, Windshield
	4778 347	1			Front
	4778 348	1			Rear
-24					GROMMET Washer Reservoir
	4778 346	1			Sensor/Pump
	4778 350	1			Filler Neck

**JEEP CHEROKEE (LHD) 8/(RHD) (XJ)**

SERIES	LINE	BODY	ENGINE	TRANSMISSION
L=Low Line	J=LHD(4WD) U=RHD(4WD) B=RHD(4x2) T=LHD(4x2)	74=4 Dr. 72=2 Dr.	EN0=2.5L(ENC) Diesel ER0=4.0L(ERH) EP0=2.5L(EPE)	DG0=All Auto/Trans DGW=44RE (DGB) DDQ=5 spd. AISIN DGK=42RE (DGB) DBB=All Manual Trans. DGS=4 spd. Auto. AISIN DGD= 3 spd. Auto (DGA)

Windshield Wiper and Washer R.H.D.  
1997 XJ 1998 XJ

023D-222





**1997-99 JEEP CHEROKEE (XJ)  
PARTS CATALOG**

Figure 023D-222  
Page 023D-17

Wiper/Lock Cylinder and Keys

ITEM	PART	QTY	LINE	BODY	DESCRIPTION
<b>Windshield Wiper and Washer R.H.D. 1997 XJ 1998 XJ</b>					
1	5515 5652	2	B, U		BLADE, Wiper
2	55155651	2	B, U		ARM, Wiper
3	5600 1601	2			NOZZLE, Washer, Windshield
		<b>2</b>			PIN Push .15x.41
5					GRILLE, Cowl Panel 1997 XJ
	5500 8832	1	J, T		
	5502 7696	1	B, U		
6	3420 1230	7			SCREW, Round Washer Head AB
7					NUT, Snap In, M4.2 x 1.41 1997 XJ
	3420 1872	5			1998 XJ
	3420 1872	AR			
8	5502 7697	1	B, U		SCREEN Cowl
9					HOSE, Windshield Washer, 0156 ID=4MM, (NOT SERVICED)
10	5515 5300	1	B, U		MOTOR, Wiper
11	3420 1686	1			BOLT, Hex Flange Head, M12x1.18x35
12	5523 5371	1	B, U		BRACKET, Extension to Cowl Top
13					NUT AND WASHER, Hex Nut-Sealing Washer, M6 x 1.00
	3420 1358	1			1997 XJ
	3420 1358	2			1998 XJ
					RESERVOIR Washer
	4778 344	1			w/Sensor
	4778 345	1			w/o Sensor
15					PUMP, Washer, Windshield Front
	4778 348	1			Rear
16	5515 4763	1	B, U		BRACKET, Wiper Motor
17	J400 5242	5			NUT, Push
18	5515 4812	1			FILLER NECK AND CAP, Washer Reservoir
-19					CAP, Washer Reservoir (NOT REQUIRED), 1998 XJ
	4630 249	1			1997 XJ
-20	4778 346	1			GROMMET, Washer Reservoir, Sensor/Pump
-21	4778 350	1			GROMMET, Washer Reservoir, Filler Neck
-22					SENSOR, Washer Fluid Level (NOT REQUIRED), 1998 XJ
	5515 4979	1			1997 XJ

**JEEP CHEROKEE (LHD) & (RHD) (XJ)**

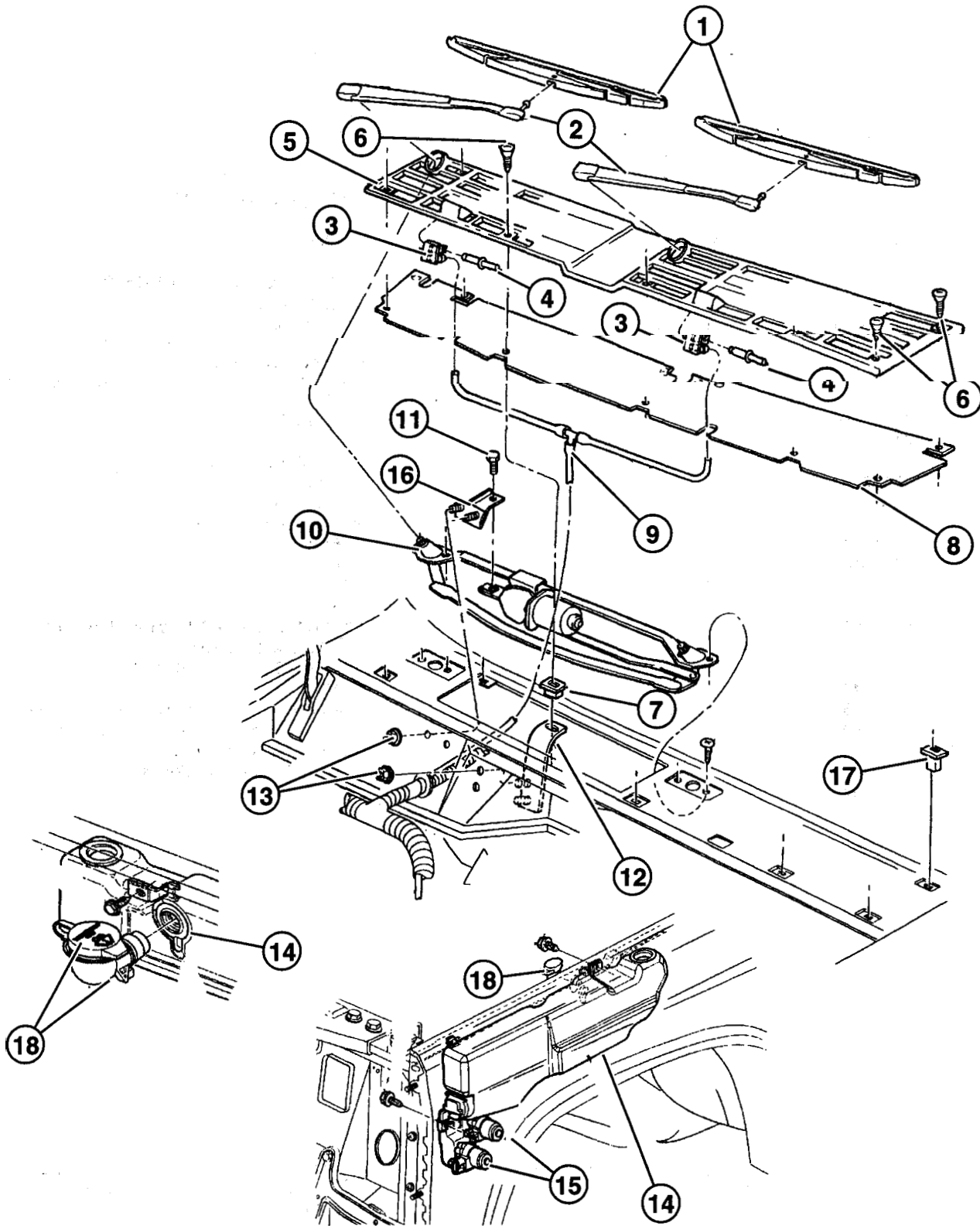
SERIES	LINE	BODY	ENGINE	TRANSMISSION
L=Low Line	J=LHD(4WD) U=RHD(4WD) B=RHD(4x2) T=LHD(4x2)	74=4 Dr. 72=2 Dr.	EN0=2.5L(ENC) Diesel ER0=4.0L(ERH) EP0=2.5L(EPE)	DG0=All Auto/Trans DGW=44RE (DGB) DDQ=5 spd.AISIN DGK=42RE (DGB) DBB=All Manual Trans. DGS=4 spd. Auto. AISIN DGD = 3 spd. Auto (DGA)

AR = Use as Required; - = Non-illustrated Part; # = New This Model Year

June 1998

Windshield Wiper and Washer R.H.D.  
1999 XJ

023D-222



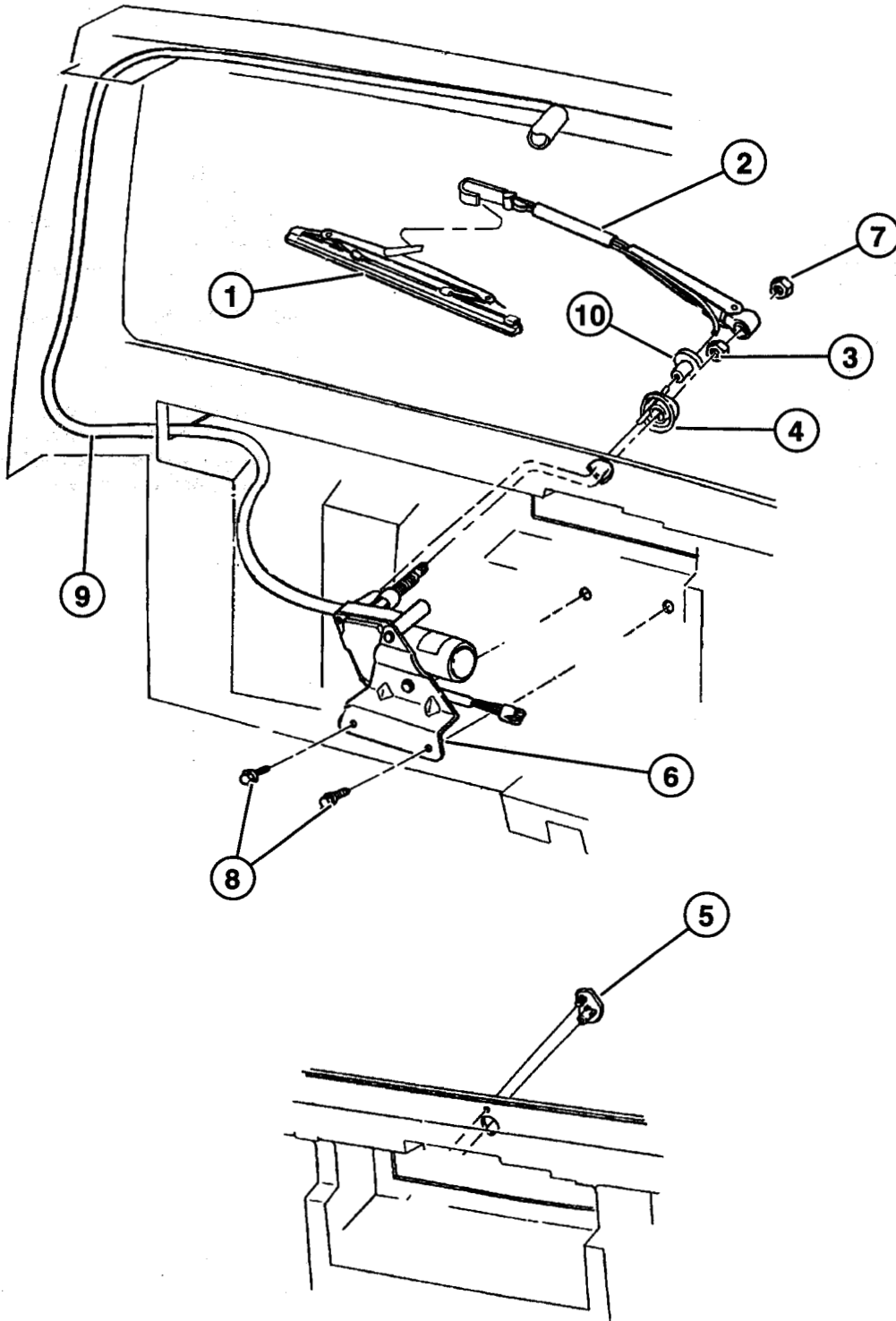
ITEM	PART	QTY	LINE	BODY	DESCRIPTION
<b>Windshield Wiper and Washer R.H.D. 1999 XJ</b>					
1	5515 5652	2		B, U	BLADE, Wiper
2	55155651	2		B, U	ARM, Wiper
3	5600 1601	2			NOZZLE, Washer, Windshield
4	<b>J400 4262</b>	2			PIN Push .15x.41
5	5502 7696	1		B, U	GRILLE, Cowl Panel
6	3420 1230	7			SCREW, Round Washer Head AB
7	3420 1872	AR			NUT, Snap In, M4.2 x 1.41
8	5502 7697	1		B, U	SCREEN, Cowl
9					HOSE, Windshield Washer, 0156 ID=4MM, (NOT SERVICED)
10	5515 5300	1		B, U	MOTOR, Wiper
11	3420 1686	2			BOLT, Hex Flange Head, M12x1.18x35
12	55235 371AB	1		B, U	BRACKET, Extension to Cowl Top
13	3420 1358	2			NUT AND WASHER, Hex Nut-Sealing Washer, M6 x 1.00
14	4778 344	1			RESERVOIR, Washer, w/Sensor
15	4778 347	1			PUMP, Washer, Windshield, w/o Sensor
16	5515 4763	1		B, U	BRACKET, Wiper Motor
17	J400 5242	5			NUT, Push
18	55154 812AB	1			FILLER NECK AND CAP, Washer Reservoir
-19	4778 346	1			GROMMET, Washer Reservoir, Sensor/Pump
-20	4778 350	1			GROMMET, Washer Reservoir, Filter Neck
-21	5515 4979	1			SENSOR, Washer Fluid Level

**JEEP CHEROKEE (LHD) & (RHD) (XJ)**

SERIES	LINE	BODY	ENGINE	TRANSMISSION
L=Low Line	J=LHD(4WD) U=RHD(4WD) B=RHD(4x2) T=LHD(4x2)	74=4 Dr. 72=2 Dr.	EN0=2.5L(ENC) Diesel ER0=4.0L(ERH) EP0=2.5L(EPE)	DG0=All Auto/Trans DGW=44RE (DGB) DDQ=5 spd. AISIN DGK=42RE (DGB) DBB=All Manual Trans. DGS=4 spd. Auto. AISIN DGD = 3 spd. Auto (DGA)

Rear Wiper and Washer  
1997 XJ 1998 XJ

0231)-320



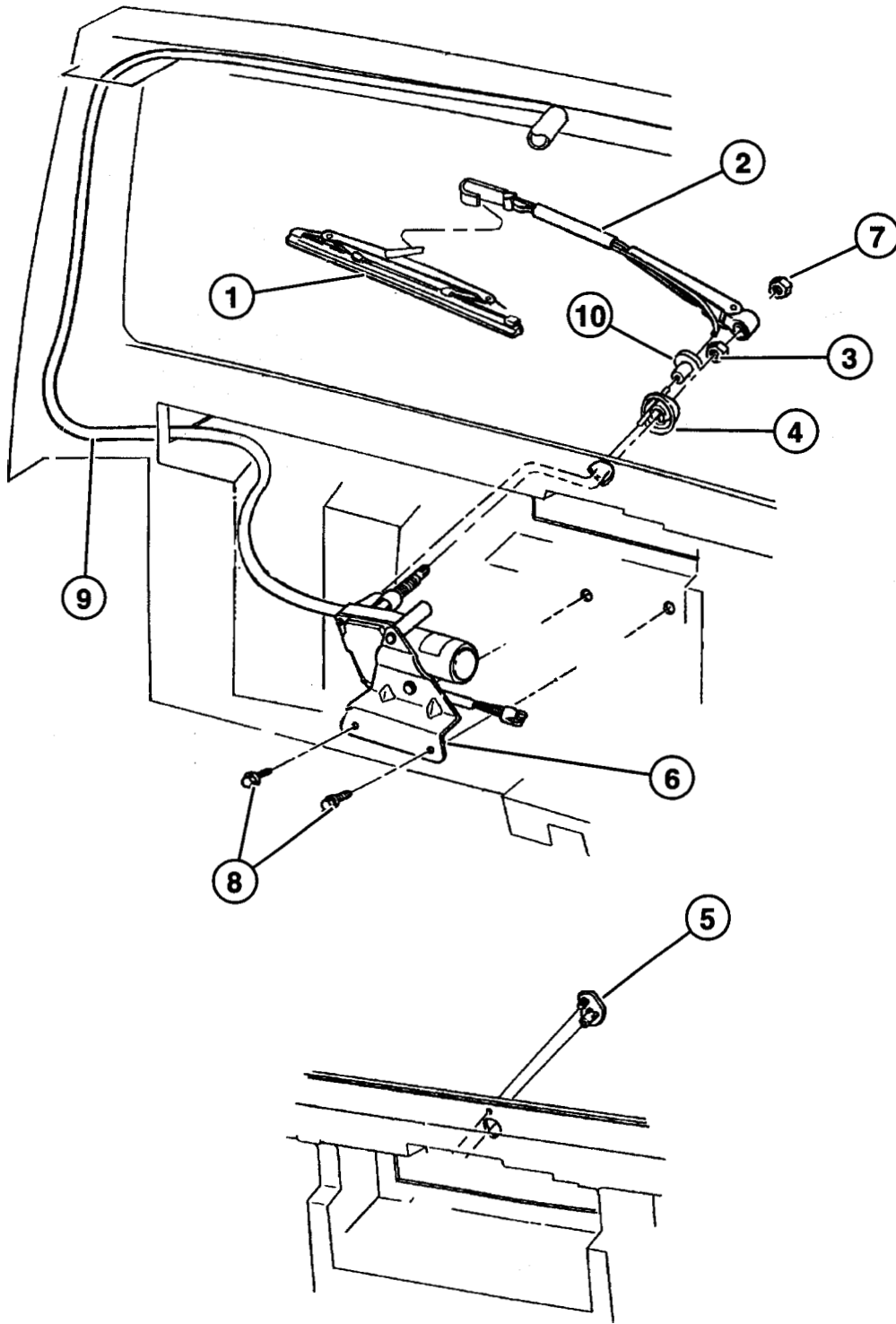
ITEM	PART	QTY	LINE	BODY	DESCRIPTION
<b>Rear Wiper and Washer 1997 XJ 1998 XJ</b>					
1	5515 4920	1			BLADE, Wiper 1997 XJ
	5515 5652	2	B, U		
2	5515 4919	1			ARM, Wiper 1997 XJ
	5515 5651	2	B, U		
	#55154 919AB	1			1998 XJ
3	6502 299	1			CAPS, M16x1.00
4	5515 4942	1			BEZEL, Liftgate Wiper Motor 1997 XJ
	55154 942AB	1			1998 XJ
5	5515 4939	1			PLUG, Liftgate 1997 XJ
	55154 939AB	1			1998 XJ
6	55154 944AB	1			MOTOR, Wiper
7	6500 165	1			NUT, Wiper Arm
8	6100 287	2			SCREW, M6x1x25
9	5515 5041	1			HOSE, Windshield Washer 1997 XJ
	55155 041AB	1			1998 XJ
10	3420 1767	1			CLIP, Tube

**JEEP CHEROKEE (LHD) & (RHD) (XJ)**

SERIES	LINE	BODY	ENGINE	TRANSMISSION
L=Low Line	J=LHD(4WD) U=RHD(4WD) B=RHD(4x2) T=LHD(4x2)	74=4 Dr. 72=2 Dr.	EN0=2.5L(ENC) Diesel ER0=4.0L(ERH) EP0=2.5L(EPE)	DG0=All Auto/Trans DGW=44RE (DGB) DDQ=5 spd. AISIN DGK=42RE (DGB) DBB=All Manual Trans. DGS=4 spd. Auto. AISIN DGD=3 spd. Auto (DGA)

Rear Wiper and Washer  
1999 XJ

0230-320



ITEM	PART	QTY	LINE	BODY	DESCRIPTION
<b>Rear Wiper and Washer 1999 XJ</b>					
1	55154 920AB	1			BLADE, Wiper
2	55154 919AB	1			ARM, Wiper
3	6502 299	1			CAPS, M16x1.00
4	55154 942AB	1			BEZEL, Liftgate Wiper Motor
5	55154 939AB	1			PLUG, Liftgate
6	55154 944AB	1			MOTOR, Wiper
7	6500 165	1			NUT, Wiper Arm
8	6101 780	3			
9	#55155 041AC	1			HOSE, Windshield Washer
10					CLIP, Tube
	3200 0404	1	B, U		
	3420 1633	1	J, T		
-11	4778 344	1			RESERVOIR, Washer
-12	4778 348	1			PUMP, Washer, Windshield

**JEEP CHEROKEE(LHD) & (RHD) (XJ)**

SERIES	LINE	BODY	ENGINE	TRANSMISSION
L=Low Line	J=LHD(4WD) U=RHD(4WD) B=RHD(4x2) T=LHD(4x2)	74=4 Dr. 72=2 Dr.	EN0=2.5L(ENC) Diesel ER0=4.0L(ERH) EP0=2.5L(EPE)	DG0=All Auto/Trans DGW=44RE (DGB) DDQ=5 spd. AISIN DGK=42RE (DGB) DBB=All Manual Trans. DGS=4 spd. Auto. AISIN DGD = 3 spd. Auto (DGA)

ITEM	PART	QTY	LINE	BODY	DESCRIPTION
------	------	-----	------	------	-------------

**Rear Wiper and Washer  
1999 XJ**

**JEEP CHEROKEE (LHD) & (RHD) (XJ)**

SERIES	LINE	BODY	ENGINE	TRANSMISSION
L=Low Line	J=LHD(4WD)	74=4 Dr.	EN0=2.5L(ENC) Diesel	DG0=All Auto/Trans
	U=RHD(4WD)	72=2 Dr.	ER0=4.0L(ERH)	DGW=44RE (DGB)
	B=RHD(4x2)		EP0=2.5L(EPE)	DDQ=5 spd. AISIN
	T=LHD(4x2)			DGK=42RE (DGB)
				DBB=All Manual Trans.
				DGS=4 spd. Auto. AISIN
				DGD = 3 spd. Auto (DGA)