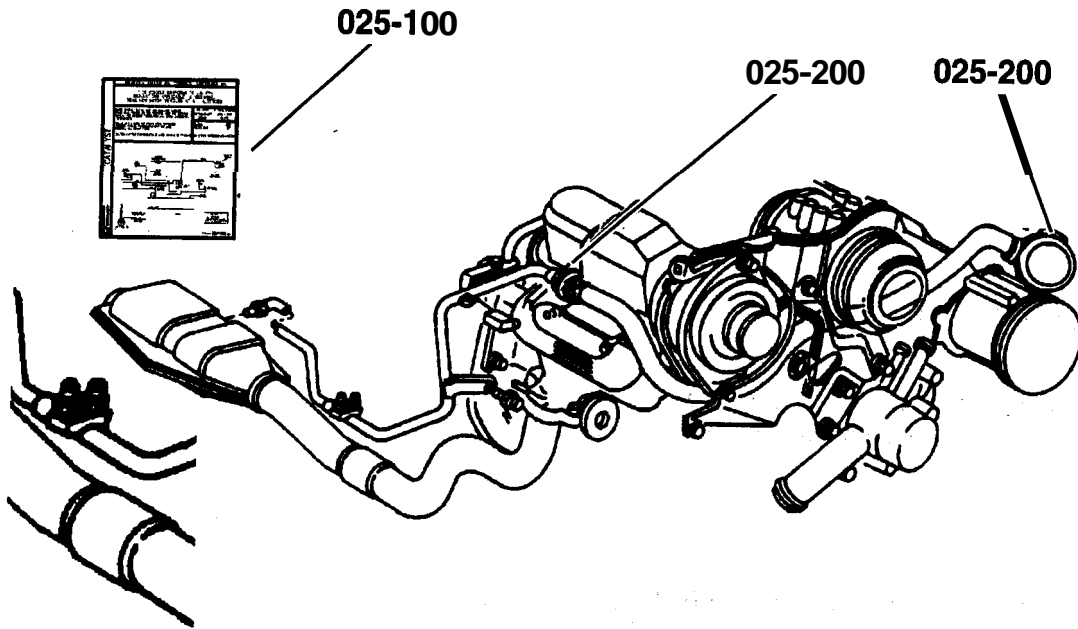
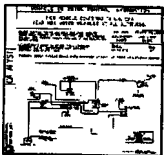
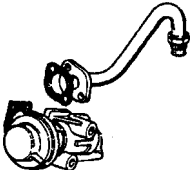

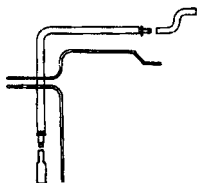


Group - 025

Emission Systems



<p>025-100 Emission Labels</p> 	<p>025-200 EGR System</p> 	<p>025-300 Vacuum Canister</p> 	<p>025-400 Emission Harness</p> 

Group 025 - Emission Systems

Emission Labels 025 100

Emission LabelsFig. 025-120

EGR System 025 200

EGR System 2.5L Diesel EngineFig. 025-220

Vacuum Canister 025 300

Vacuum Canister 2.5L, 4.0L Engine 1997-XJ:Fig. 025-330

Vacuum Canister 2.5L, 4.0L Engine 1998 XJ: 1999 XJ.Fig. 025-335

Emission Harness 025 400

Emission Control Vacuum Harness 2.5L, 4.0L Engine.Fig. 025-430

Emission Control Vacuum Harness 2.5L Diesel Engine.Fig. 025-450

Leak Detection Pump 1998 XJ 1999 XJFig. 025-460

Vacuum Pump 2.5L Diesel Engine 1997 XJ.Fig. 025-470

JEEP CHEROKEE (LHD) & (RHD) (XJ)

SERIES	LINE	BODY	ENGINE	TRANSMISSION
L=Low Line	J=LHD(4WD)	74=4 Dr.	EN0=2.5L(ENC) Diesel	DG0=All Auto/Trans
	U=RHD(4WD)	72=2 Dr.	ER0=4.0L(ERH)	DGW=44RE (DGB)
	B=RHD(4x2)		EP0=2.5L(EPE)	DDQ=5 spd. AISIN
	T=LHD(4x2)			DGK=42RE (DGB)
				DBB=All Manual Trans.
				DGS=4 spd. Auto. AISIN
				DGD= 3 spd. Auto (DGA)

Group 025 - Emission Systems

JEEP CHEROKEE (LHD) & (RHD) (XJ)

SERIES	LINE	BODY	ENGINE	TRANSMISSION
L=Low Line	J=LHD(4WD) U=RHD(4WD) B=RHD(4x2) T=LHD(4x2)	74=4 Dr. 72=2 Dr.	EN0=2.5L(ENC) Diesel ER0=4.0L(ERH) EP0=2.5L(EPE)	DG0=All Auto/Trans DGW=44RE (DGB) DDQ=5 spd. AISIN DGK=42RE (DGB) DBB=All Manual Trans. DGS=4 spd. Auto. AISIN DGD = 3 spd. Auto (DGA)

Emission Labels

025-120



CHRYSLER	VEHICLE EMISSION CONTROL INFORMATION							
	THIS VEHICLE CONFORMS TO U.S. EPA REGULATIONS APPLICABLE TO 1994 MODEL YEAR NEW MOTOR VEHICLES AT ALL ALTITUDES.							
	<p>BASIC IGNITION TIMING AND IDLE FUEL/AIR MIXTURE HAVE BEEN PRESET AT THE FACTORY. SEE THE SERVICE MANUAL FOR PROPER PROCEDURES AND OTHER ADDITIONAL INFORMATION.</p> <p>ADJUSTMENTS MADE BY OTHER THAN APPROVED SERVICE MANUAL PROCEDURES MAY VIOLATE FEDERAL AND STATE LAWS.</p> <p>CAUTION : APPLY PARKING BRAKE WHEN SERVICING VEHICLE</p>	<table border="1" style="width: 100%; border-collapse: collapse;"> <tr> <td style="padding: 2px;">2.2 LITER MCR2.5V5HHP7 MCRVB</td> <td style="padding: 2px;">SPARK PLUGS .035 in. GAP RN12YC</td> </tr> <tr> <td style="padding: 2px;">IDLE * TIMING BTC</td> <td style="padding: 2px;">MAN 12°</td> </tr> <tr> <td colspan="2" style="padding: 2px; text-align: center;">NO OTHER ADJUSTMENTS NEEDED</td> </tr> </table>	2.2 LITER MCR2.5V5HHP7 MCRVB	SPARK PLUGS .035 in. GAP RN12YC	IDLE * TIMING BTC	MAN 12°	NO OTHER ADJUSTMENTS NEEDED	
	2.2 LITER MCR2.5V5HHP7 MCRVB	SPARK PLUGS .035 in. GAP RN12YC						
IDLE * TIMING BTC	MAN 12°							
NO OTHER ADJUSTMENTS NEEDED								

**1997-99 JEEP CHEROKEE (XJ)
PARTS CATALOG**

Emission Systems

ITEM	PART	QTY	LINE	BODY	ENGINE	TRANS	DESCRIPTION
Emission Labels							
1							LABEL, Emission
	4854 520	1					1997 XJ
	4854 521	1			EPE		Canada, 1997 XJ
	4854 522	1			EPE		California, 1997 XJ
	4854 607	1	B, T		ERH		1997 XJ
	4854 607	1	J	72	ERH	DBB	1997 XJ
	4854 608	1	U		ERH		1997 XJ
	4854 608	1	J		ERH	DGO	1997 XJ
	4854 609	1	T		ERH		1997 XJ
	4854 609	1	J	72	ERH	DBB	1997 XJ
	4854 610	1	J		ERH	DGO	1997 XJ
	4854 611	1	J	74	ERH	DBB	1997 XJ
	4854 612	1	J	74	ERH	DBB	1997 XJ
	4854 613	1	B, T		ERH		1997 XJ
	4854 613	1	J	72	ERH	DBB	1997 XJ
	4854 614	1	U		ERH	DBB	1997 XJ
	4854 614	1	J	74	ERH	DBB	1997 XJ
	53013 234AA	1	J, U		ERH		Europe, 1998 XJ
	53013 637AA	1			EPE		1997 XJ
	53013 638AA	1			ERH		1997 XJ
	53013 639AA	1	U		ERH	DGO	1997 XJ
	53013 639AA	1	J	72	ERH	DGO	1997 XJ
	53013 639AA	1	J	74	ERH	DGO	1997 XJ
	53013 825AA	1			EPE		California, 1998 XJ
	53013 827AA	1	J, T		EPE		Federal, 1998 XJ
	53013 828AA	1	J, U		EPE		Europe, 1998 XJ
	53013 829AA	1	T		ERH		California, 1998 XJ
	53013 829AA	1	J	72	ERH	DBB	California, 1998 XJ
	53013 830AA	1	J	74	ERH		California, 1998 XJ
	53013 830AA	1	J	72	ERH	DGO	California, 1998 XJ
	53013 831AA	1	B, T		ERH		Federal, 1998 XJ
	53013 831AA	1	J	72	ERH	DBB	Federal, 1998 XJ
	53013 832AA	1	J, U	74	ERH		Federal, 1998 XJ
	53013 832AA	1	J	72	ERH	DGO	Federal, 1998 XJ
	53013 833AA	1	B, T		ERH		Canada, 1998 XJ
	53013 833AA	1	J	72	ERH	DBB	Canada, 1998 XJ
	53013 834AA	1	J, U	74	ERH		Canada, 1998 XJ
	53013 834AA	1	J	72	ERH	DGO	Canada, 1998 XJ
	53031 415AB	1			ENO		Australia, 1997 XJ
	#53013 293AA	1	B, T		ERH		Federal, 1999 XJ
	#53013 293AA	1	J	72	ERH	DBB	Federal, 1999 XJ
	#53013 295AA	1	B, T		ERH		California, 1999 XJ
	#53013 295AA	1	J	72	ERH	DBB	California, 1999 XJ
	#53013 299AA	1	J, U	74	ERH		Federal, 1999 XJ
	#53013 299AA	1	J	72	ERH	DGO	Federal, 1999 XJ
	#53013 302AA	1	J	72	ERH	DGO	California, 1999 XJ
	#53013 303AA	1	J, U		ERH		Europe, 1999 XJ
	#53031 833AA	1			EPE		Federal, 1999 XJ
	#53031 938AA	1			EPE		California, 1999 XJ
	#53031 939AA	1			EPE		Europe, 1999 XJ
	#53032 075AA	1			EPE		Northeast States, 1999 XJ

JEEP CHEROKEE (LHD) & (RHD) (XJ)

SERIES	LINE	BODY	ENGINE	TRANSMISSION
L=Low Line	J=LHD(4WD) U=RHD(4WD) B=RHD(4x2) T=LHD(4x2)	74=4 Dr. 72=2 Dr.	ENO=2.5L(ENC) Diesel ER0=4.0L(ERH) EP0=2.5L(EPE)	DG0=All Auto/Trans DGW=44RE (DGB) DDQ=5 spd. AISIN DGK=42RE (DGB) DBB=All Manual Trans. DGS=4 spd. Auto. AISIN DGD=3 spd. Auto (DGA)

ITEM	PART	QTY	LINE	BODY	ENGINE	TRANS	DESCRIPTION
------	------	-----	------	------	--------	-------	-------------

Emission Labels

#53032 077AA	1	B, T			ERH		Northeast States, 1999 XJ
#53032 079AA	1	J, U			ERH		Northeast States, 1999 XJ

JEEP CHEROKEE (LHD) & (RHD) (XJ)

SERIES	LINE	BODY	ENGINE	TRANSMISSION
L=Low Line	J=LHD(4WD) U=RHD(4WD) B=RHD(4x2) T=LHD(4x2)	74=4 Dr. 72=2 Dr.	EN0=2.5L(ENC) Diesel ER0=4.0L(ERH) EP0=2.5L(EPE)	DG0=All Auto/Trans DGW=44RE (DGB) DDQ=5 spd. AISIN DGK=42RE (DGB) DBB=All Manual Trans. DGS=4 spd. Auto. AISIN DGD= 3 spd. Auto (DGA)

ITEM	PART	QTY	LINE	BODY	ENGINE	TRANS	DESCRIPTION
------	------	-----	------	------	--------	-------	-------------

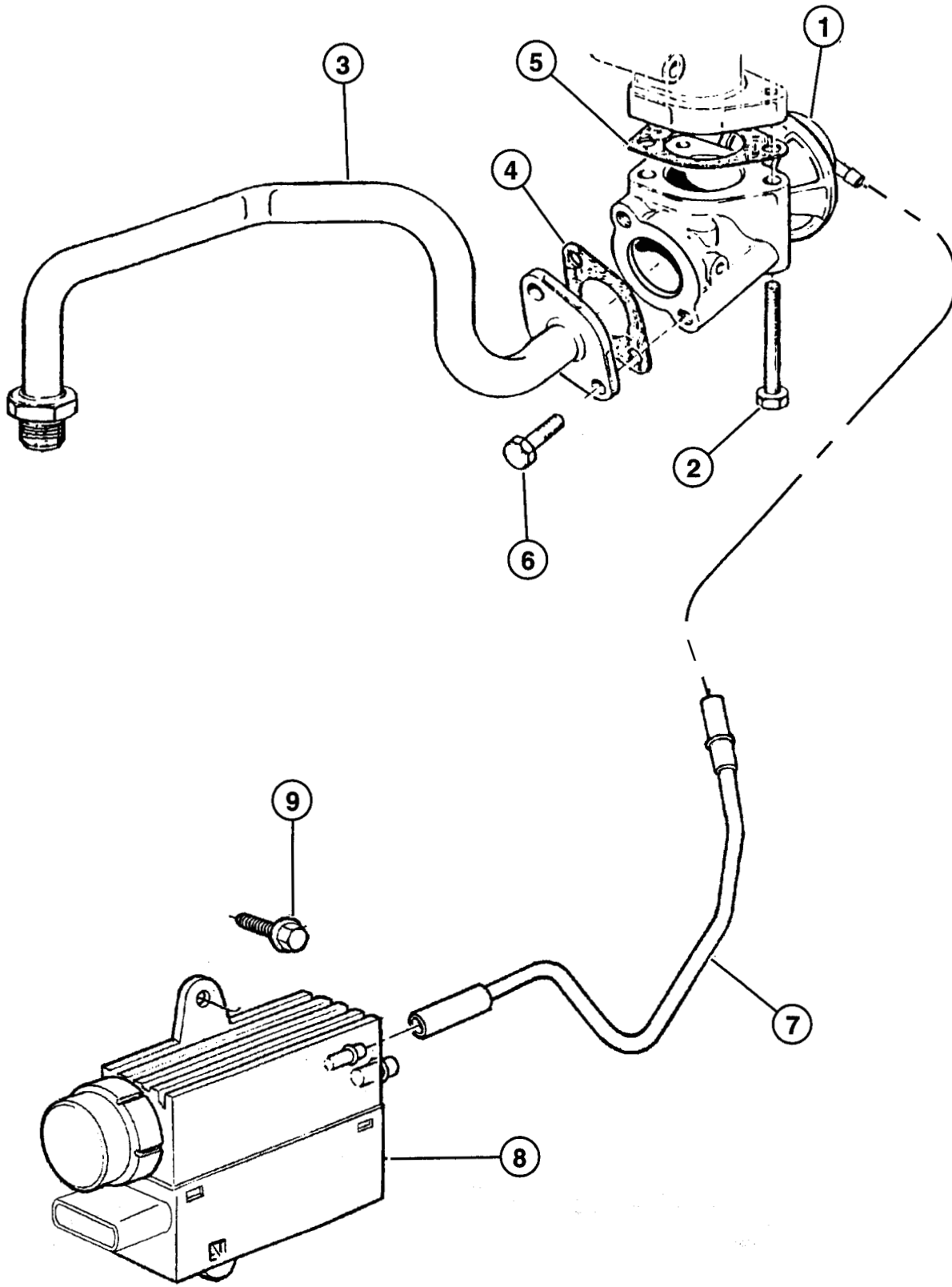
Emission Labels

JEEP CHEROKEE (LHD) & (RHD) (XJ)

SERIES	LINE	BODY	ENGINE	TRANSMISSION
L=Low Line	J=LHD(4WD) U=RHD(4WD) B=RHD(4x2) T=LHD(4x2)	74=4 Dr. 72=2 Dr.	EN0=2.5L(ENC) Diesel ER0=4.0L(ERH) EP0=2.5L(EPE)	DG0=All Auto/Trans DGW=44RE (DGB) DDQ=5 spd. AISIN DGK=42RE (DGB) DBB=All Manual Trans. DGS=4 spd. Auto. AISIN DGD= 3 spd. Auto (DGA)

EGR System
2.5L Diesel Engine

025-220



Emission Systems

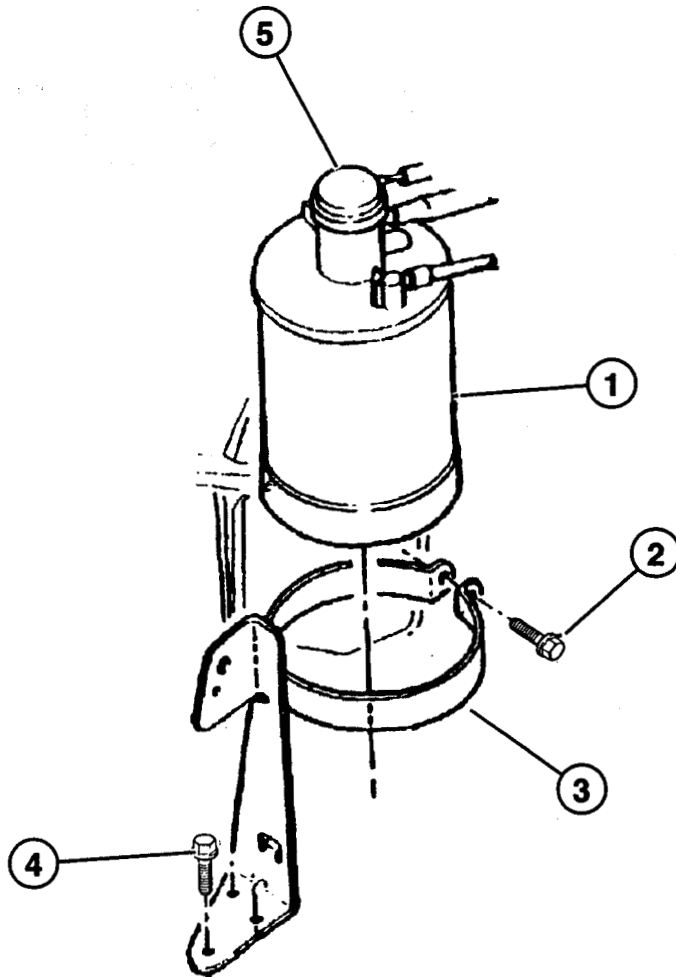
ITEM	PART	QTY	LINE	BODY	ENGINE	TRANS	DESCRIPTION
EGR System 2.5L Diesel Engine							
1	4882 409	1			EN0		VALVE, EGR
2							BOLT
	4863 749	2			EN0		1998 XJ
	4863 749	4			EN0		
	5003 565AA	2			EN0		1999 XJ
3	4864751	1			EN0		PIPE, EGR to Manifold
4	4720 208	1			EN0		GASKET, EGR Tube Flange
5	4778 965	1			EN0		GASKET, EGR Tube
6							BOLT, 8Mx20
	4864 537	4			EN0		1997 XJ
	4864 537	2			EN0		1
7	5303 1542	1			EN0		TUBE, Exhaust Gas Recovery
8	5602 7094	1			EN0		MODULATOR, Vacuum Electric
9							SCREWMASHER, Hex Head, .250-14x.500, (NOT SERVICED)

JEEP CHEROKEE (LHD) & (RHD) (XJ)

SERIES	LINE	BODY	ENGINE	TRANSMISSION
L=Low Line	J=LHD(4WD) U=RHD(4WD) B=RHD(4x2) T=LHD(4x2)	74=4 Dr. 72=2 Dr.	EN0=2.5L(ENC) Diesel ER0=4.0L(ERH) EP0=2.5L(EPE)	DG0=All Auto/Trans DGW=44RE (DGB) DDQ=5 spd. AISIN DGK=42RE (DGB) DBB=All Manual Trans. DGS=4 spd. Auto. AISIN DGD= 3 spd. Auto (DGA)

Vacuum Canister
2.5L, 4.0L Engine 1997 XJ

025-330



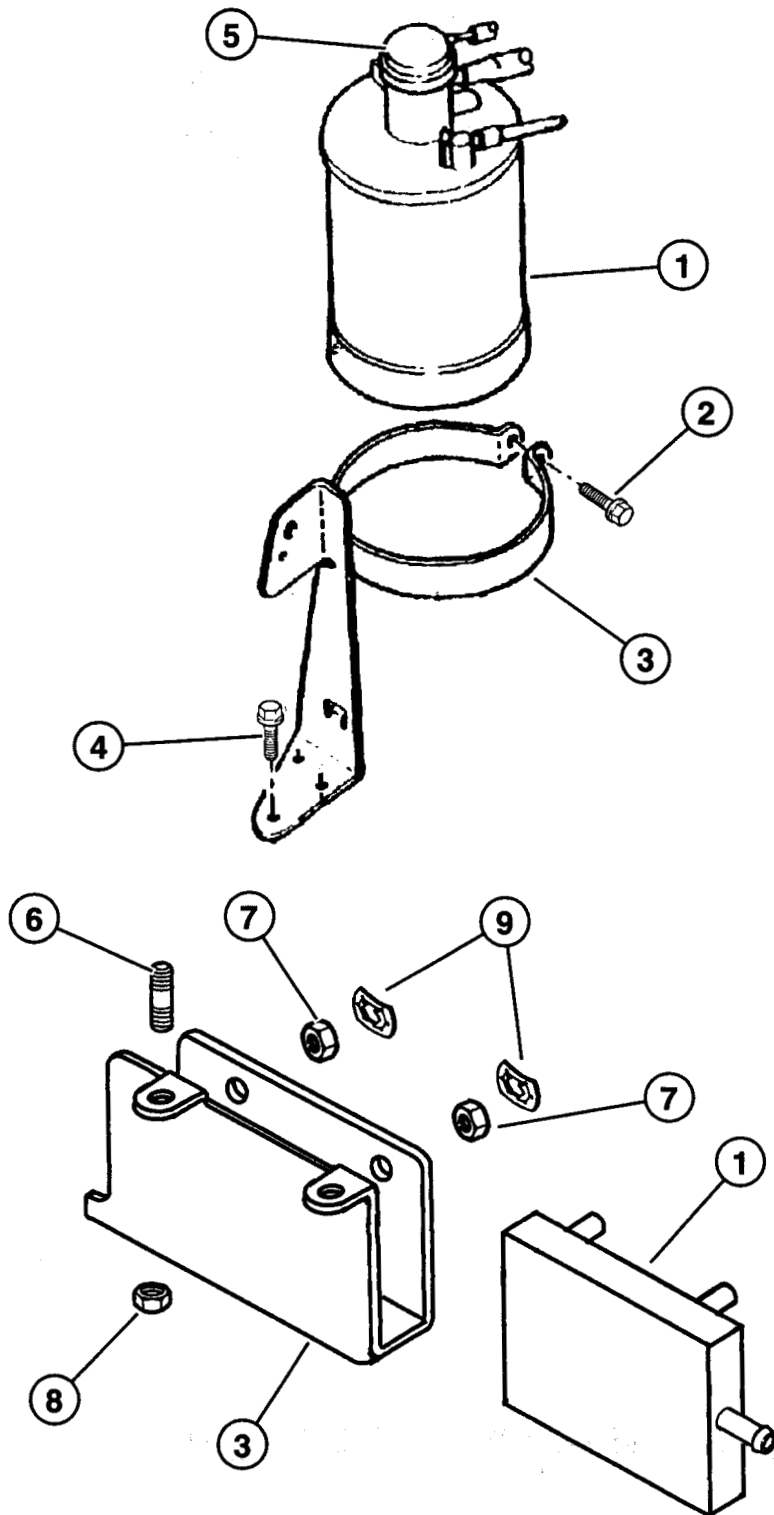
ITEM	PART	QTY	LINE	BODY	ENGINE	TRANS	DESCRIPTION
Vacuum Canister 2.5L, 4.0L Engine 1997 XJ							
1	#53031 904AB	1			EPO, ERO		CANISTER, Vapor
2	J942 0882	1			EPO, ERO		SCREW, Hex Flange Head, .25-14x1.50
3	5300 7836	1	J, T		EPO, ERO		BRACKET, Vapor Canister
4	6035 058	4			ERO	DG0	SCREW, Hex Flange Head, .19-16x.50
5	4192 074	1			EPO, ERO		CAP, Vapor Canister

JEEP CHEROKEE (LHD) & (RHD) (XJ)

SERIES	LINE	BODY	ENGINE	TRANSMISSION
L=Low Line	J=LHD(4WD) U=RHD(4WD) B=RHD(4x2) T=LHD(4x2)	74=4 Dr. 72=2 Dr.	EN0=2.5L(ENC) Diesel ER0=4.0L(ERH) EP0=2.5L(EPE)	DG0=All Auto/Trans DGW=44RE (DGB) DDQ=5 spd. AISIN DGK=42RE (DGB) DBB=All Manual Trans. DGS=4 spd. Auto. AISIN DGD = 3 spd. Auto (DGA)

Vacuum Canister
2.5L, 4.0L Engine 1998 XJ 1999 XJ

025-335



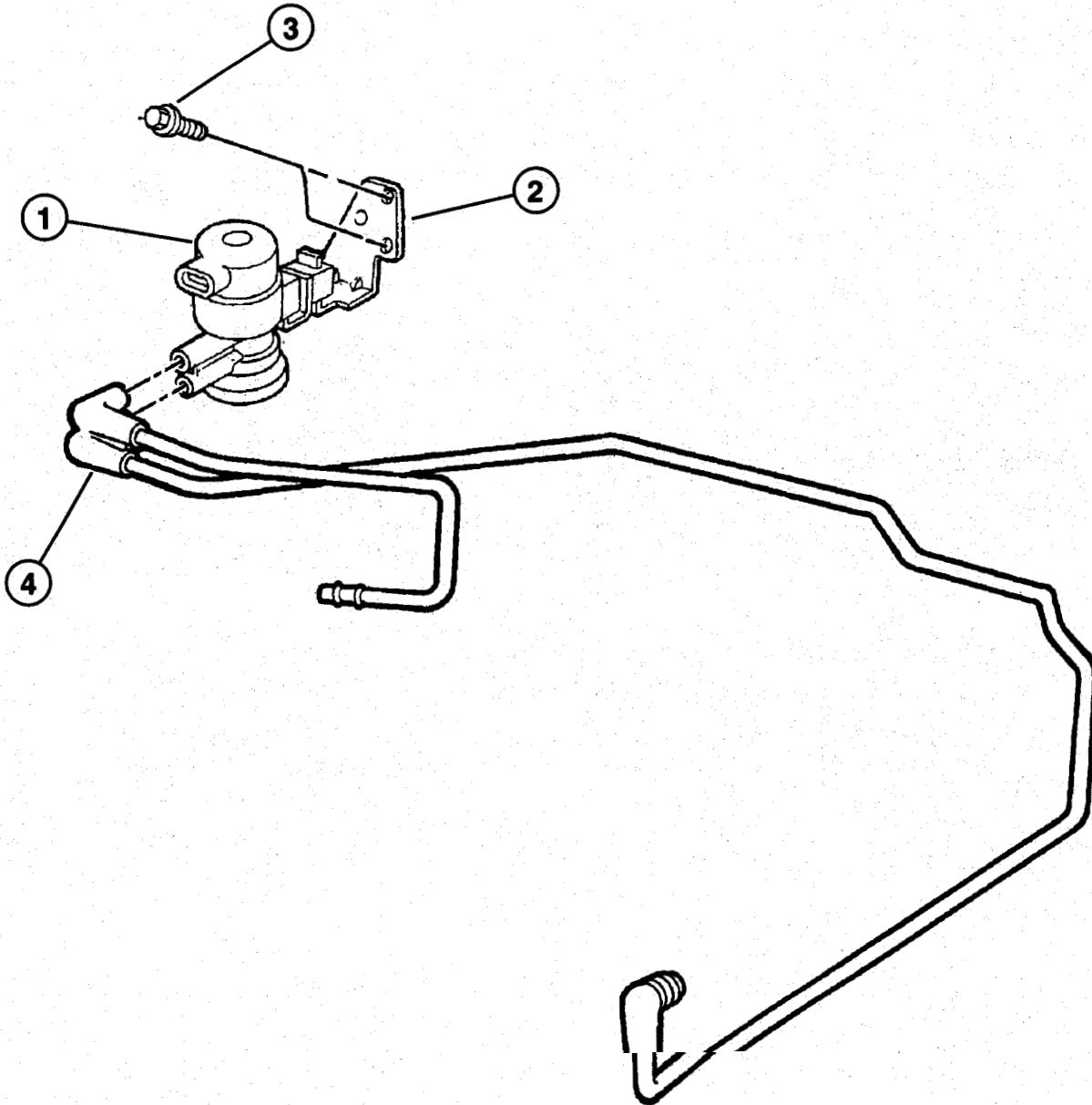
ITEM	PART	QTY	LINE	BODY	ENGINE	TRANS	DESCRIPTION
Vacuum Canister 2.5L, 4.0L Engine 1998 XJ 1999 XJ							
1	4854 112	1			EPO, ERO		CANISTER, Vapor 1998 XJ
	53031 904AB	1			EPO, ERO		
2	J942 0882	1			EPO, ERO		SCREW, Hex Flange Head, .25-14x1.50
3							BRACKET, Vapor Canister 1998 XJ
	5300 7836	1	J, T		EPO, ERO		
	5300 7836	1	J, T		EPO, ERO		Europe, Leaded Gas, 1999 XJ
	53013 040AC	1			EPO, ERO		1998 XJ
	53013 040AC	1			EP0, ERO		Federal, California, 1999 XJ
4	6035 058	3	J, T		EPO, ERO		SCREW, Hex Flange Head, .19-16x.50
5	4192 074	1			EPO, ERO		CAP, Vapor Canister
6	6503 951	2			EPO, ERO		STUD, M6X1.00X.250-14X30.00
7	4669 177	2			EP0, ERO		GROMMET, Air Cleaner Bracket
8							NUT, Hex, M6x1.00 1998 XJ
	6101 469	2			EPO, ERO		
	6500 284	2			EPO, ERO		1999 XJ
9	0441 263	2			EP0, ERO		NUT, Push

JEEP CHEROKEE (LHD) & (RHD) (XJ)

SERIES	LINE	BODY	ENGINE	TRANSMISSION
L=Low Line	J=LHD(4WD) U=RHD(4WD) B=RHD(4x2) T=LHD(4x2)	74=4 Dr. 72=2 Dr.	EN0=2.5L(ENC) Diesel ER0=4.0L(ERH) EP0=2.5L(EPE)	DG0=All Auto/Trans DGW=44RE (DGB) DDQ=5 spd. AISIN DGK=42RE (DGB) DBB=All Manual Trans. DGS=4 spd. Auto. AISIN DGD= 3 spd. Auto (DGA)

Emission Control Vacuum Harness
2.5L, 4.0L Engine

025-430



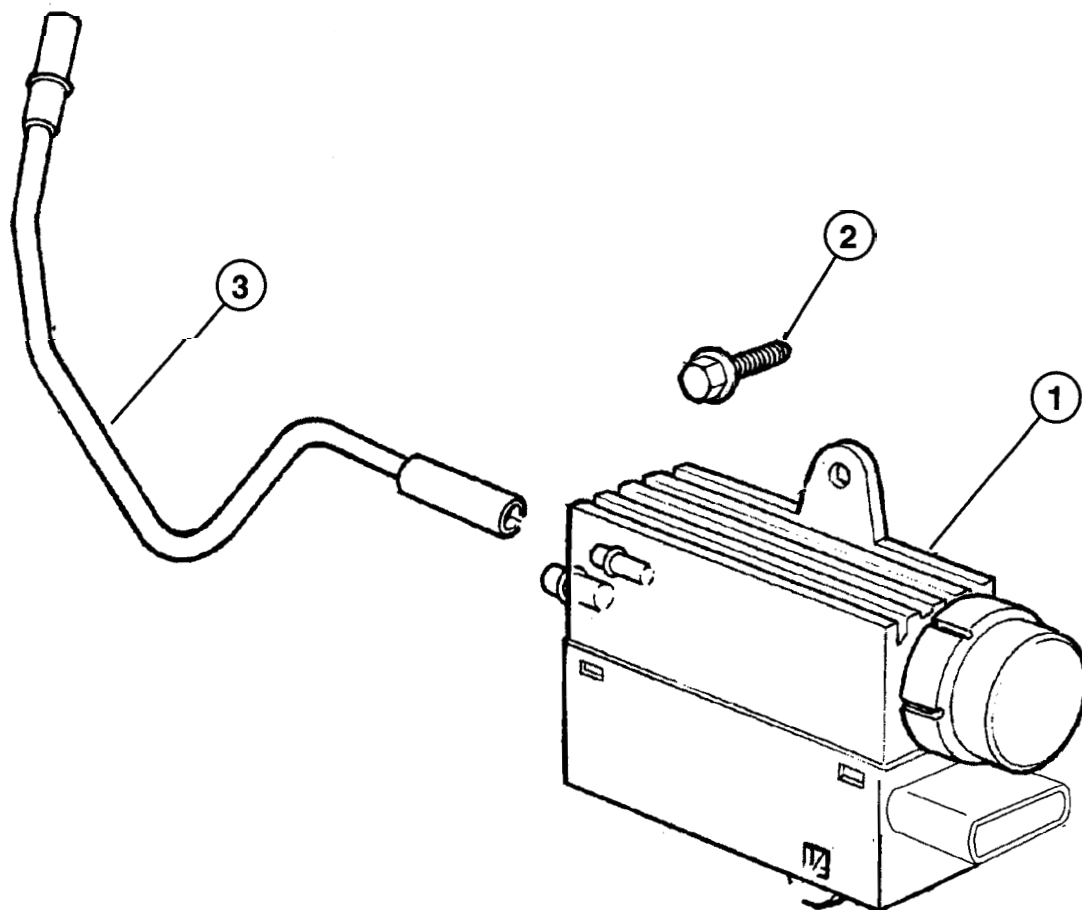
ITEM	PART	QTY	LINE	BODY	ENGINE	TRANS	DESCRIPTION
Emission Control Vacuum Harness 2.5L, 4.0L Engine							
1	4669 475AB	1			EPO, ERO		SOLENOID, Duty Cycle Purge
2	4882 996	1			EPO, ERO		BRACKET, Duty Cycle Purge Solenoid 1997 XJ
	56027773AB	1			EPO, ERO		1998 XJ, 1999 XJ
3							SCREW
	6032 988	2					1997 XJ
	6032 988	2			EPO, ERO		1998 XJ, 1999 XJ
4							HARNES, Duty Cycle Purge Solenoid
	4854 149	1	B, U		EPO		
	4854 151	1	B, U		ERO		1997 XJ, 1998 XJ
	4854 895	1	J, T		EPO		1998 XJ, 1999 XJ
	4854 896	1	J, T		ERO		1998 XJ
	5303 0880	1	J, T		EPO		1997 XJ
	5303 0888	1	J, T		ERO		1997 XJ
	#4854 151AB	1	B, U		ERO		1999 XJ
	#4854 896AB	1	J, T		ERO		1999 XJ

JEEP CHEROKEE (LHD) & (RHD) (XJ)

SERIES	LINE	BODY	ENGINE	TRANSMISSION
L=Low Line	J=LHD(4WD) U=RHD(4WD) B=RHD(4x2) T=LHD(4x2)	74=4 Dr. 72=2 Dr.	EN0=2.5L(ENC) Diesel ER0=4.0L(ERH) EP0=2.5L(EPE)	DG0=All Auto/Trans DGW=44RE (DGB) DDQ=5 spd. AISIN DGK=42RE (DGB) DBB=All Manual Trans. DGS=4 spd. Auto. AISIN DGD = 3 spd. Auto (DGA)

**Emission Control Vacuum Harness
2.5L Diesel Engine**

025-450



ITEM	PART	QTY	LINE	BODY	ENGINE	TRANS	DESCRIPTION
------	------	-----	------	------	--------	-------	-------------

**Emission Control Vacuum Harness
2.5L Diesel Engine**

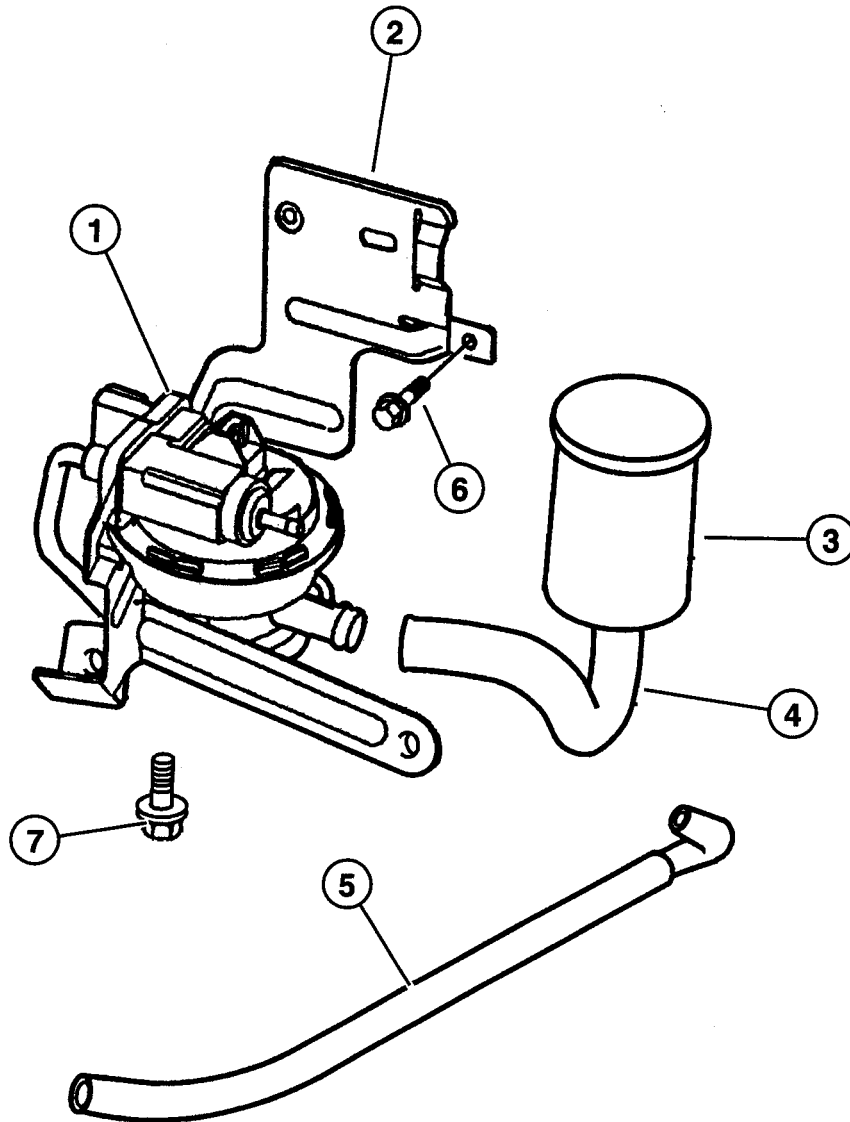
1	5602 7094	1			EN0		MODULATOR, Vacuum Electric
2	6034 959	2			EN0		SCREW, Hex Flange Head, .25-14x.549
3	5303 1542	1			EN0		TUBE, Exhaust Gas Recovery

JEEP CHEROKEE (LHD) & (RHD) (XJ)

SERIES	LINE	BODY	ENGINE	TRANSMISSION
L=Low Line	J=LHD(4WD) U=RHD(4WD) B=RHD(4x2) T=LHD(4x2)	74=4 Dr. 72=2 Dr.	EN0=2.5L(ENC) Diesel ER0=4.0L(ERH) EP0=2.5L(EPE)	DG0=All Auto/Trans DGW=44RE (DGB) DDQ=5 spd. AISIN DGK=42RE (DGB) DBB=All Manual Trans. DGS=4 spd. Auto. AISIN DGD = 3 spd. Auto (DGA)

Leak Detection Pump
1998 XJ 1999 XJ

025-460



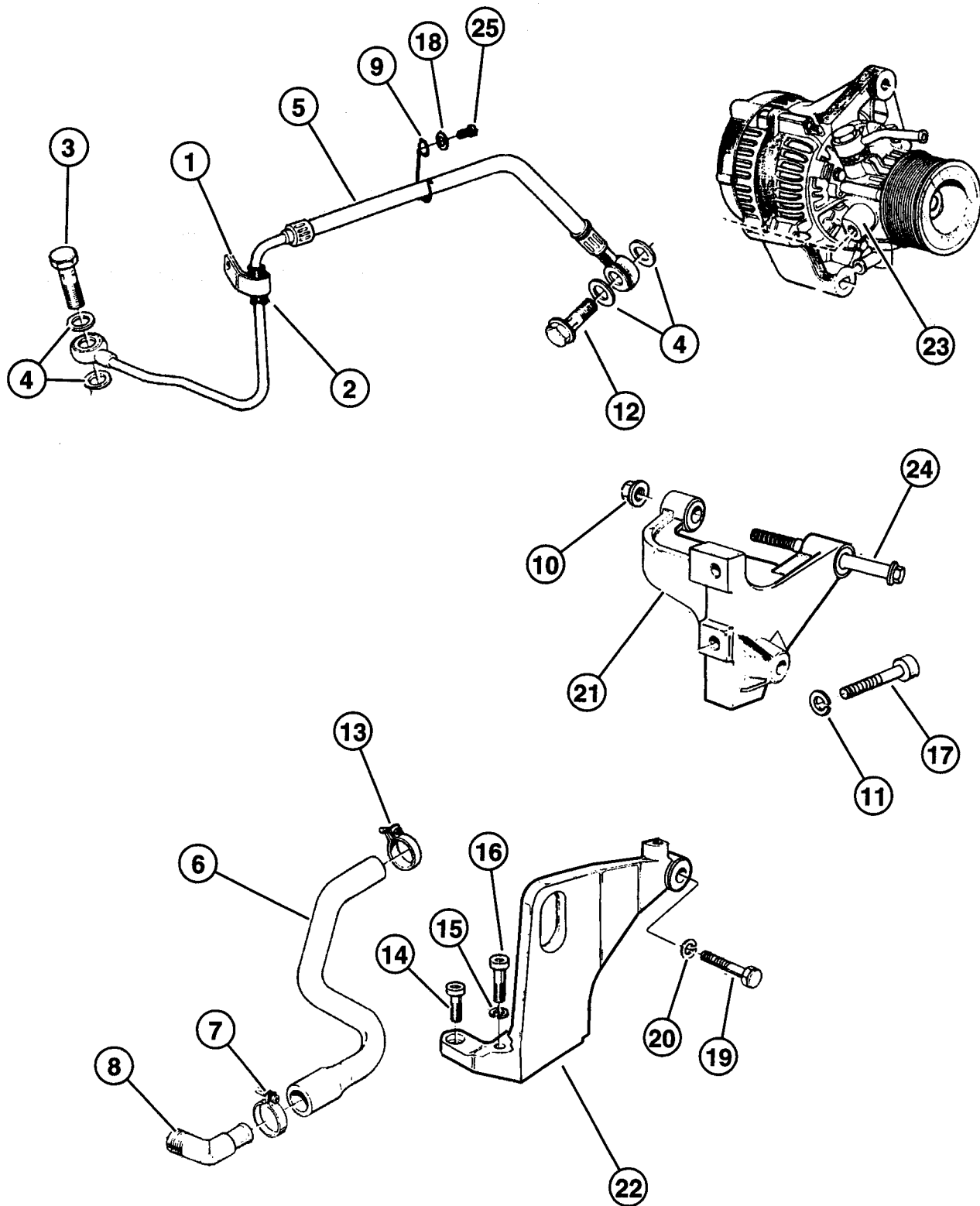
ITEM	PART	QTY	LINE	BODY	ENGINE	TRANS	DESCRIPTION
Leak Detection Pump 1998 XJ 1999 XJ							
1	53013 113AA	1	J, T		EPO, ERO		PUMP, Leak Detection
2	4854 184	1	J, T		EPO, ERO		BRACKET, Leak Detection Pump
3	4612 901	1			EPO, ERO		FILTER, Leak Detection Pump 1998 XJ
	4612 901	1	J, T		EPO, ERO		1999 XJ
4	53013 001AA	1	J, T		EPO, ERO		HOSE, Leak Detection Pump
5	53013 030AA	1	J, T		EPO, ERO		HOSE, Leak Detection Pump
6							SCREW, M6x1.00x11.00, (NOT SERVICED)
7							SCREW, Tapping, .19-16x.375
	6635 482	3			EPO, ERO		1998 XJ
	6035 482	3	J, T		EPO, ERO		1999 XJ

JEEP CHEROKEE (LHD) & (RHD) (XJ)

SERIES	LINE	BODY	ENGINE	TRANSMISSION
L=Low Line	J=LHD(4WD) U=RHD(4WD) B=RHD(4x2) T=LHD(4x2)	74=4 Dr. 72=2 Dr.	EN0=2.5L(ENC) Diesel ER0=4.0L(ERH) EP0=2.5L(EPE)	DG0=All Auto/Trans DGW=44RE (DGB) DDQ=5 spd. AISIN DGK=42RE (DGB) DBB=All Manual Trans. DGS=4 spd. Auto. AISIN DGD = 3 spd. Auto (DGA)

Vacuum Pump
2.5L Diesel Engine 1977 XJ

025-470



ITEM	PART	QTY	LINE	BODY	ENGINE	TRANS	DESCRIPTION
Vacuum Pump 2.5L Diesel Engine 1997 XJ							
1	4796 035	1			ENO		CLIP, Pipe
2	4797 759	1			ENO		SLEEVE, Rubber
3	4762 717	1			ENO		BOLT, Banjo
4	4720 713	2			ENO		WASHER, Implement Attaching
5	4864 601	1			ENO		PIPE, Vacuum Pump
6	4796 036	1			ENO		PIPE, Vacuum Pump Oil Drain
7	#4886 052AA	2			ENO		CLAMP, Heater Hose
8	4773 709	1			ENO		ADAPTER, Oil Drain Pipe
9	#4886 316AA	1			ENO		CLIP, Hose
10	4796 038	1			ENO		NUT, Hex Flange, M10x1.5
11	4864 758	2			ENO		WASHER
12	4797 802	1			ENO		BOLT, Banjo
13	#4886 051AA	1			ENO		CLAMP, Heater Hose
14	4720 684	1			ENO		BOLT, Tow Hook
15	4720 688	6			ENO		WASHER, Flat
16	4797 768	6			ENO		BOLT, Vacuum Pump Bracket, M10x35
17	4864 757	2			ENO		BOLT
18	4720 702	1			ENO		WASHER, Plain
19	4723 291	1			ENO		BOLT, Starter
20	4723 165	3			ENO		WASHER, P Clip
21	4796 043	1			ENO		BRACKET, Vacuum Pump
22	#4883 519AA	1			ENO		BRACKET, Alternator
23	4864 441	1			ENO		ALTERNATOR
24	4796 042	1			ENO		SCREW, Cap, M10x150
25	4797 768	6			ENO		BOLT, Vacuum Pump Bracket, M10x35

JEEP CHEROKEE (LHD) & (RHD) (XJ)

SERIES	LINE	BODY	ENGINE	TRANSMISSION
L=Low Line	J=LHD(4WD) U=RHD(4WD) B=RHD(4x2) T=LHD(4x2)	74=4 Dr. 72=2 Dr.	EN0=2.5L(ENC) Diesel ER0=4.0L(ERH) EP0=2.5L(EPE)	DG0=All Auto/Trans DGW=44RE (DGB) DDQ=5 spd. AISIN DGK=42RE (DGB) DBB=All Manual Trans. DGS=4 spd. Auto. AISIN DGD= 3 spd. Auto (DGA)

ITEM	PART	QTY	LINE	BODY	ENGINE	TRANS	DESCRIPTION
------	------	-----	------	------	--------	-------	-------------

Vacuum Pump
2.5L Diesel Engine 1997 XJ

JEEP CHEROKEE (LHD) & (RHD) (XJ)

SERIES	LINE	BODY	ENGINE	TRANSMISSION
L=Low Line	J=LHD(4WD) U=RHD(4WD) B=RHD(4x2) T=LHD(4x2)	74=4 Dr. 72=2 Dr.	EN0=2.5L(ENC) Diesel ER0=4.0L(ERH) EP0=2.5L(EPE)	DG0=All Auto/Trans DGW=44RE (DGB) DDQ=5 spd. AISIN DGK=42RE (DGB) DBB=All Manual Trans. DGS=4 spd. Auto. AISIN DGD = 3 spd. Auto (DGA)