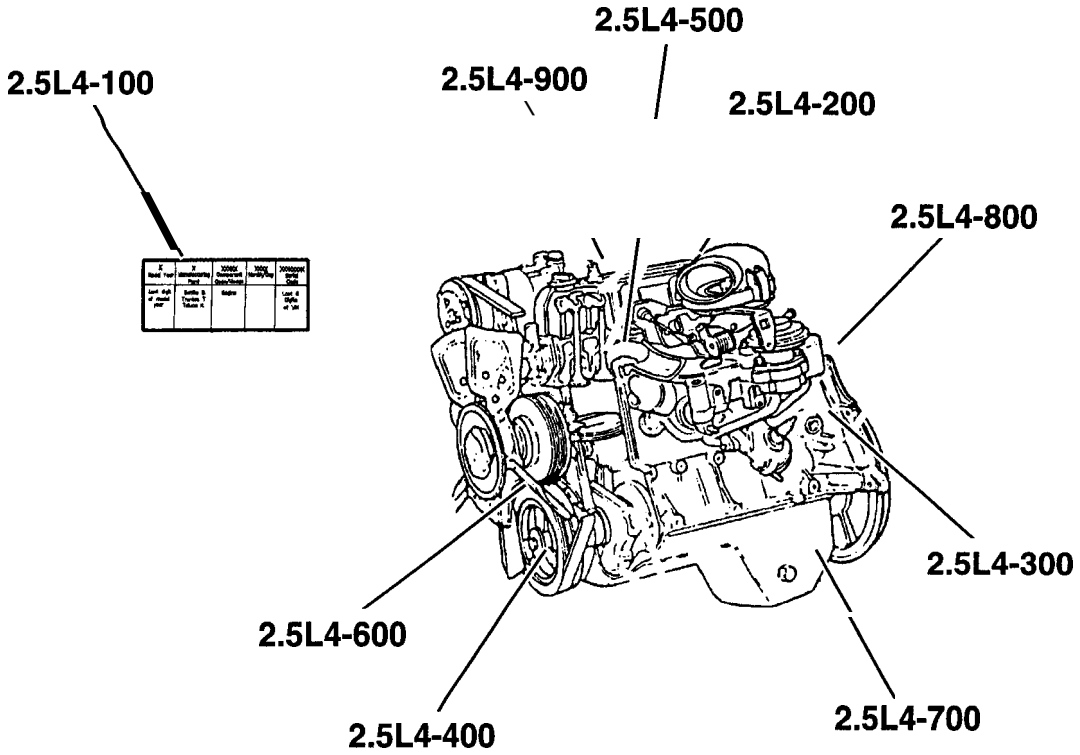
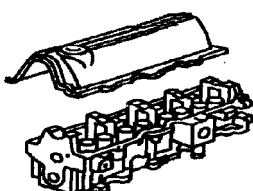
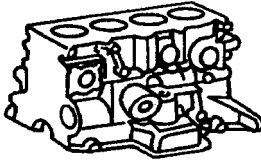
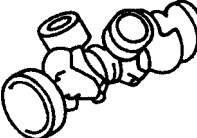
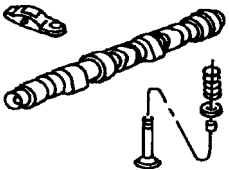
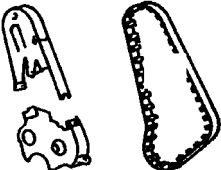
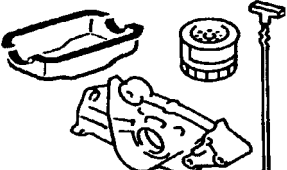
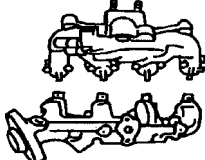
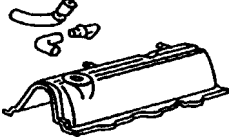


Group - 2.5L4

2.5L Four Cylinder Engine



<p>2.5L4-200 Cylinder Head</p> 	<p>2.5L4-300 Cylinder Block</p> 	<p>2.5L4-400 Crankshaft, Piston and Torque Converter</p> 	<p>2.5L4-500 Camshafts & Valves</p> 
<p>2.5L4-600 Timing Belt and Cover</p> 	<p>2.5L4-700 Engine Oiling</p> 	<p>2.5L4-800 Manifolds</p> 	<p>2.5L4-900 Crankcase Ventilation</p> 

Group - 2.5L4

2.5L Four Cylinder Engine

--	--	--	--

Group 2.5L4 - 2.5L Four Cylinder Engine

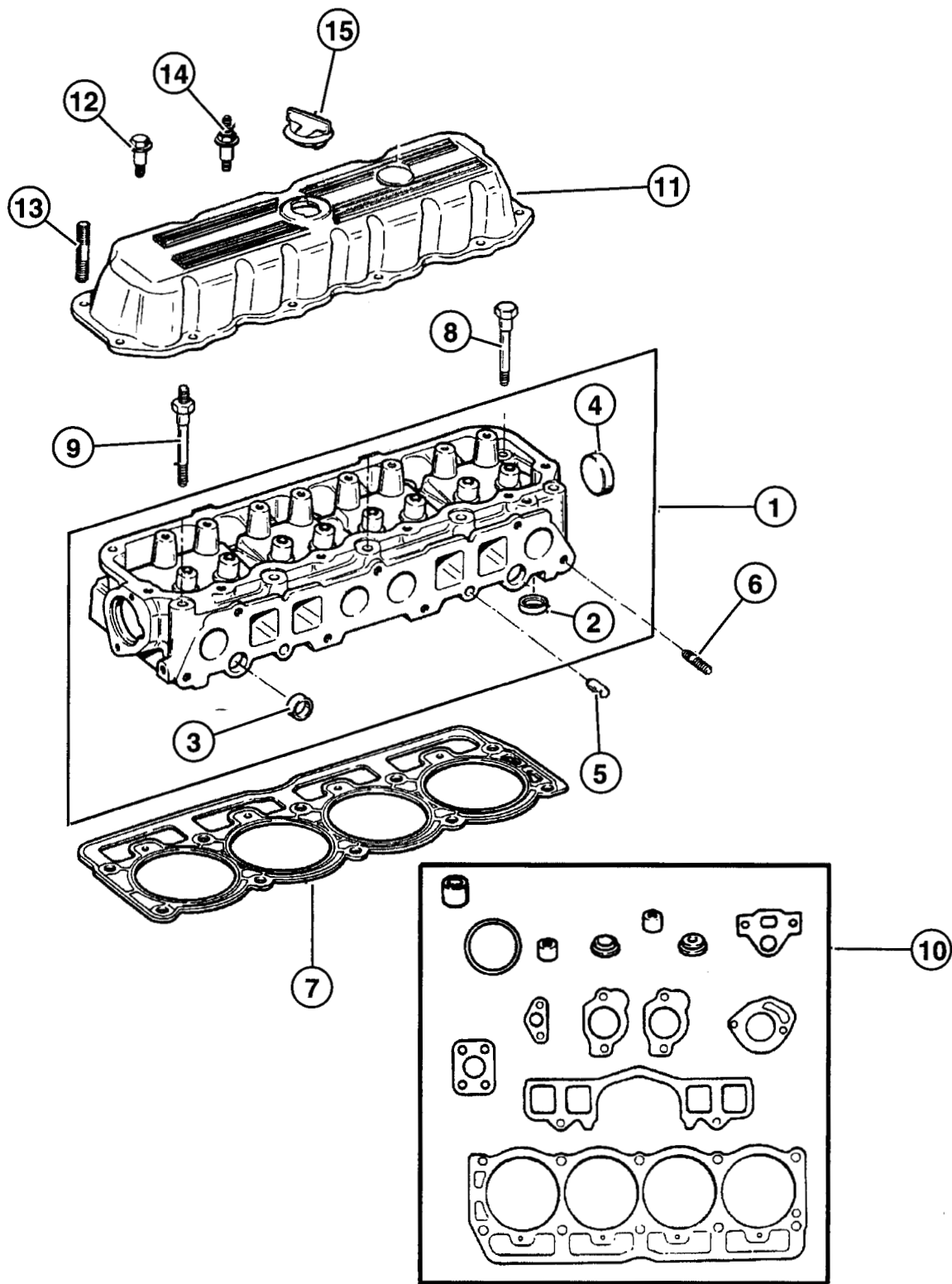
Cylinder Head	2.5L4 200
Cylinder Head 2.5L EngineFig. 2.5L4-210
Cylinder Block	2.5L4 300
Cylinder Block 2.5L EngineFig. 2.5L4-310
Crankshaft, Piston and Torque Converter	2.5L4 400
Crankshaft, Piston and Torque Converter 2.5L Engine.Fig. 2.5L4-410
Camshafts & Valves	2.5L4 500
Camshaft and Valves 2.5L Engine.Fig. 2.5L4-510
Timing Belt and Cover	2.5L4 600
Timing Cover 2.5L Engine.Fig. 2.5L4-610
Engine Oiling	2.5L4 700
Engine Oiling 2.5L Engine.Fig. 2.5L4-710
Manifolds	2.5L4 800
Manifold, Intake and Exhaust 2.5L EngineFig. 2.5L4-810
Crankcase Ventilation	2.5L4 900
Crankcase Ventilation 2.5L EngineFig. 2.5L4-910

JEEP CHEROKEE (LHD) & (RHD) (XJ)

SERIES	LINE	BODY	ENGINE	TRANSMISSION
L=Low Line	J=LHD(4WD) U=RHD(4WD) B=RHD(4x2) T=LHD(4x2)	74=4 Dr. 72=2 Dr.	EN0=2.5L(ENC) Diesel ER0=4.0L(ERH) EP0=2.5L(EPE)	DG0=All Auto/Trans DGW=44RE (DGB) DDQ=5 spd. AISIN DGK=42RE (DGB) DBB=All Manual Trans. DGS=4 spd. Auto. AISIN DGD= 3 spd. Auto (DGA)

Cylinder Head
2.5L Engine

2.5L4-210



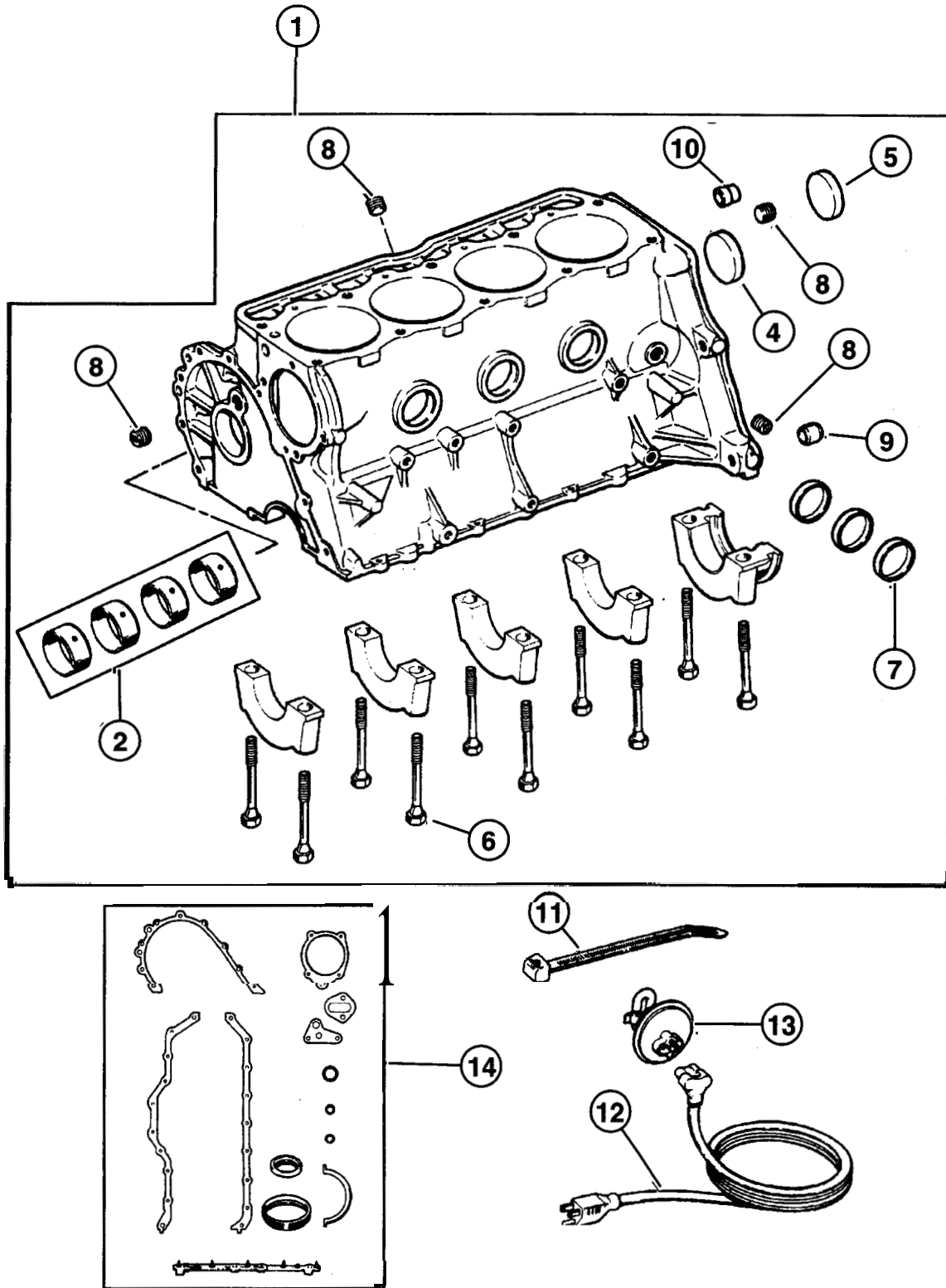
ITEM	PART	QTY	LINE	ENGINE	TRANS	DESCRIPTION
Cylinder Head 2.5L Engine						
1						HEAD, Cylinder
	3300 7115	1		EPO		1997 XJ, 1998 XJ
	33007 115AB	1		EPO		1999 XJ
2	3300 7142	4		EPO		SEAT, Exhaust Valve
3	J317 2319	4		EPO		PLUG, Cylinder Block Oil Hole
4	J310 5394	1		EPO		PLUG, Cylinder Block Oil Hole
5	J317 2318	2		EPO, ERO		DOWEL, Cylinder Head To Intake
6	5301 0165	2		EPO, ERO		STUD, .375-16/.375-24x1.75
7						GASKET, Cylinder Head
	5300 9549	1		EPO		1997 XJ, 1998 XJ
	53009 549AB	1		EPO		1999 XJ
8	6035 514	5		EPO		BOLT, Cylinder Head
9						STUD, Double Ended, .50-13/.437-14x6.00
	6035 516	4		EPO		1999 XJ
	6035 516	5		EPO		1997 XJ, 1998 XJ
10						GASKET PACKAGE, Engine
	4798 992	1		EPO		1997 XJ, 1998 XJ
	4798 992AC	1		EPO	DBB	1999 XJ
	4798 992AC	1		EPO	DG0	1999 XJ
11						COVER, Cylinder Head
	5301 0428	1		EPO		1997 XJ
	53010 428AB	1		EPO		1998 XJ, 1999 XJ
12						BOLT, Hex Flange Head, .250-20x1.00
	6034 478	1		EPO		1997 XJ
	6035 566	1		EPO		1998 XJ, 1999 XJ
13						STUD, Double Ended, .25-20x1.97 (NOT REQUIRED), 1998XJ, 1999XJ
	6035 685	1		EPO		1997 XJ
14						STUD, .250-20x2.00
	6034 477	9		EPO		1997 XJ
	6035 968AA	10		EPO		1998 XJ, 1999 XJ
15	5302 0555	1		EPO		CAP, Oil Filler

JEEP CHEROKEE (LHD) & (RHD) (XJ)

SERIES	LINE	BODY	ENGINE	TRANSMISSION
L=Low Line	J=LHD(4WD) U=RHD(4WD) B=RHD(4x2) T=LHD(4x2)	74=4 Dr. 72=2 Dr.	EN0=2.5L(ENC) Diesel ER0=4.0L(ERH) EP0=2.5L(EPE)	DG0=All Auto/Trans DGW=44RE (DGB) DDQ=5 spd.AISIN DGK=42RE (DGB) DBB=All Manual Trans. DGS=4 spd. Auto. AISIN DGD = 3 spd. Auto (DGA)

Cylinder Block
2.5L Engine

2.5L4-310



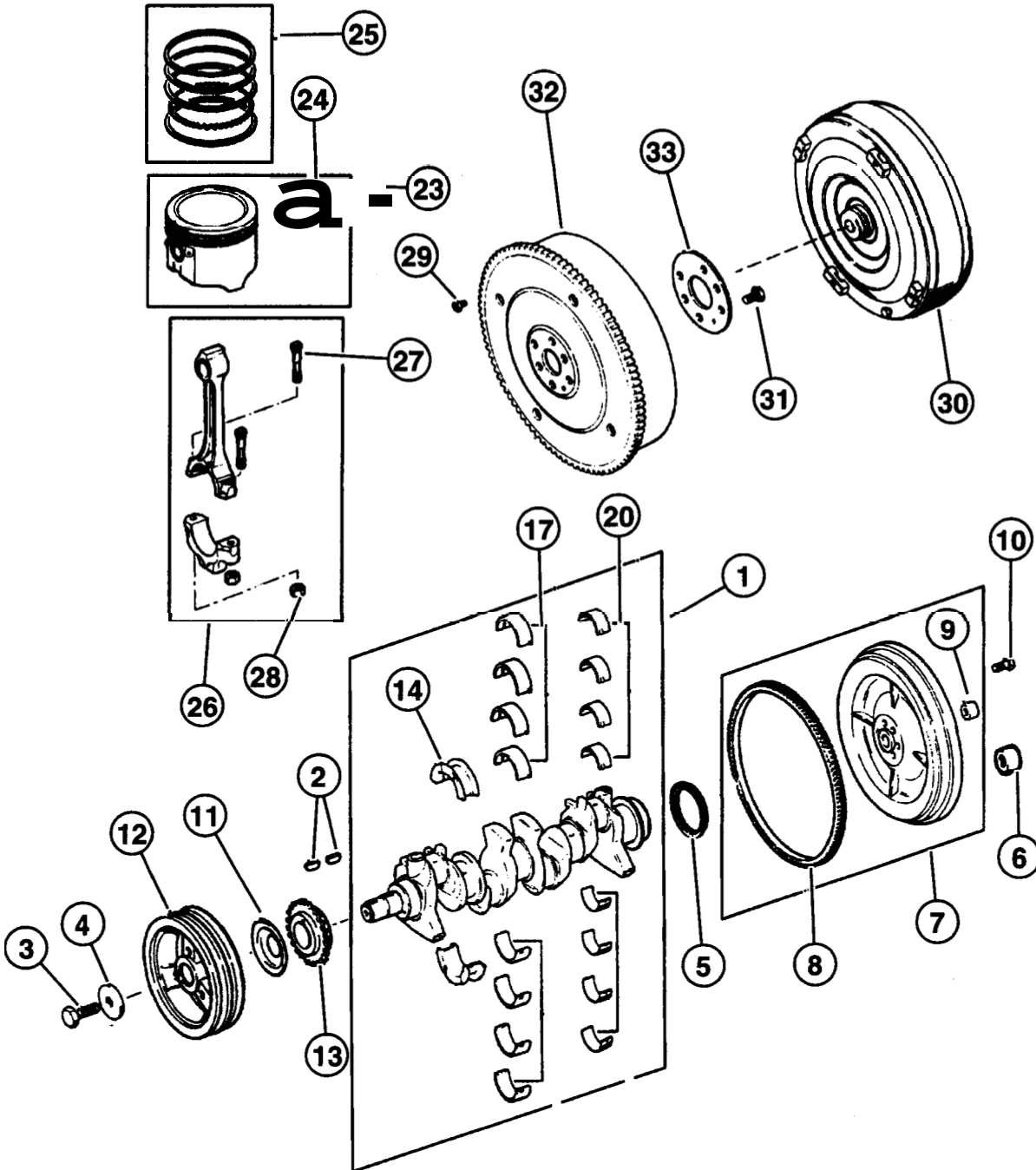
ITEM	PART	QTY	LINE	ENGINE	TRANS	DESCRIPTION
Cylinder Block 2.5L Engine						
1	4856 744	1		EPO		BLOCK, Short
2	J320 5711	1		EPO		BEARING KIT, Camshaft. Standard
-3						BEARING KIT, Camshaft; .010 Oversize (NOT REQUIRED), 1999 XJ
	J320 8985	1		EPO		1997 XJ, 1998 XJ
4	J317 2313	1		EPO		PLUG, Camshaft
5	5302 0465	1		EPO		PLUG, Cylinder Block
6	J400 6948	10		EPO		BOLT, Hex Head .50-13x2.97
7	J400 6580	3		EPO		PLUG, Cylinder Block Oil Hole
8	6034 166	3		EPO		PLUG, Cylinder Block Oil Hole
9	J400 6953	1		EPO		DOWEL, Block To Cylinder Head
10	J324 1332	1		EPO		DOWEL, Clutch Housing To Block
11						STRAP, Retaining
	J369 3058	1	U			
	J369 3058	1	J		DGO	1999 XJ
	J369 3058	1	J			1, 7
12	5300 0878	1		EPO		CORD, Engine Block Heater
13	5602 6888	1		EPO		HEATER, Engine Block
14						GASKET PACKAGE, Engine
	4713 023	1		EPO		1997 XJ, 1998 XJ
	4713 023AC	1		EPO		1999 XJ

JEEP CHEROKEE (LHD) & (RHD) (XJ)

SERIES	LINE	BODY	ENGINE	TRANSMISSION
L=Low Line	J=LHD(4WD) U=RHD(4WD) B=RHD(4x2) T=LHD(4x2)	74=4 Dr. 72=2 Dr.	EN0=2.5L(ENC) Diesel ER0=4.0L(ERH) EP0=2.5L(EPE)	DG0=All Auto/Trans DGW=44RE (DGB) DDQ=5 spd. AISIN DGK=42RE (DGB) DBB=All Manual Trans. DGS=4 spd. Auto. AISIN DGD= 3 spd. Auto (DGA)

Crankshaft, Piston and Torque Converter
2.5L Engine

2.5L4-410



ITEM	PART	QTY	LINE	ENGINE	TRANS	DESCRIPTION
Crankshaft, Piston and Torque Converter 2.5L Engine						
1						CRANKSHAFT
	4713 051	1		EPO	DBB	1999 XJ
	4713 051	1		EPO	DGO	1999 XJ
	4713 051	1		EPO		1997 XJ, 1998 XJ
2	6034 749	1		EPO, ERO		KEY, Crankshaft Sprocket
3						BOLT
	0182 776	1		EPO, ERO		1999 XJ
	6029 736	1		EPO, ERO		1997 XJ, 1998 XJ
4	J323 0155	1		EPO, ERO		WASHER, Plain
5	3300 4143	1		EPO		SEAL, Rear Main Crankshaft
6	5211 7830	1		EPO	DGO	ADAPTER, Torque Converter
7	5302 0578	1		EPO	DBB	FLYWHEEL
8	J324 1718	1		EPO	DBB	GEAR, Ring
9	J325 0005	1		EPO	DBB	BEARING, Pilot
10	J400 7123	6		EPO	DBB	BOLT, Flywheel
11	J317 3076	1		EPO, ERO		SLINGER, Oil
12	3300 2879	1		EPO		DAMPER, Crankshaft
13	3300 4020	1		EPO		GEAR, Crankshaft
14	8350 7084	1		EPO, ERO		BEARING PACKAGE, Crankshaft Thrust, Standard Size
-15	8350 7086	AR		EPO, ERO		BEARING PACKAGE, Crankshaft Thrust, .001" Undersize
-16	8350 7090	AR		EPO, ERO		BEARING PACKAGE, Crankshaft Thrust, .010" Undersize
17	8350 7079	4		EPO		BEARING PACKAGE, Crankshaft, Standard
-18	8350 7080	AR		EPO, ERO		BEARING PACKAGE, Crankshaft, .001 Undersize
-19	8350 7083	AR		EPO, ERO		BEARING PACKAGE, Crankshaft, .010 Undersize
20	8350 0300	8		EPO		BEARING KIT, Connecting Rod, Standard
-21	8350 1397	AR		EPO, ERO		BEARING KIT, Connecting Rod, .001 Undersize
-22	8350 0301	AR		EPO, ERO		BEARING KIT, Connecting Rod, .010 Undersize
23						PISTON PIN AND ROD
	4798 329	AR		EPO		B Size, 3.8742, 1997 XJ
	4798 329	4		EPO		B Size, 3.8742, 1998 XJ, 1999 XJ
	4798 330	4		EPO		C Size, 3.8746, 1999 XJ
	4798 330	AR		EPO		C Size, 3.8746, 1997 XJ, 1998 XJ
	4798 331	AR		EPO		D Size, 3.8750, 1997 XJ
	4798 331	4		EPO		D Size, 3.8750, 1998 XJ, 1999 XJ
	4798 332	AR		EPO		E Size, 3.8754, 1997 XJ
	4798 332	4		EPO		E Size, 3.8754, 1998 XJ, 1999 XJ
	4798 333	AR		EPO		F Size, 3.8758, 1997 XJ
	4798 333	4		EPO		F Size, 3.8758, 1998 XJ, 1999 XJ
24						PIN, Piston, Serviced in Piston Assembly, (NOT SERVICED)
25						RING PACKAGE, Piston, Standard Size Complete Engine
	4798 324	4		EPO		1999 XJ
	4798 324	1		EPO	DBB	1997 XJ, 1998 XJ
	4798 324	1		EPO	DGO	1997 XJ, 1998 XJ
26						ROD, Connecting, Serviced in Piston Assembly, (NOT SERVICED)
27	5302 0123	8		EPO		BOLT, Connecting Rod
28	J400 6385	8		EPO		NUT, Hex Flange, .3437-24
29	6501 099	4		EPO	DGD	BOLT, Hex Head, M10x1.50 x 13.20
30	4736 388	1		EPO	DGD	CONVERTER, Torque
31	6034 780	6		EPO	DGO	BOLT, Hex Head, .437-24x1.20
32	5210 4139	1		EPO	DGO	PLATE, Torque Converter Drive

JEEP CHEROKEE (LHD) & (RHD) (XJ)

SERIES	LINE	BODY	ENGINE	TRANSMISSION
L=Low Line	J=LHD(4WD) U=RHD(4WD) B=RHD(4x2) T=LHD(4x2)	74=4 Dr. 72=2 Dr.	EN0=2.5L(ENC) Diesel ER0=4.0L(ERH) EPO=2.5L(EPE)	DG0=All Auto/Trans DGW=44RE (DGB) DDQ=5 spd. AISIN DGK=42RE (DGB) DBB=All Manual Trans. DGS=4 spd. Auto. AISIN DGD=3 spd. Auto (DGA)

ITEM	PART	QTY	LINE	ENGINE	TRANS	DESCRIPTION
------	------	-----	------	--------	-------	-------------

**Crankshaft, Piston and Torque Converter
2.5L Engine**

33	5211 7830	1		EPO	DGO	ADAPTER, Torque Converter
----	-----------	---	--	-----	-----	---------------------------

JEEP CHEROKEE (LHD) & (RHD) (XJ)

SERIES	LINE	BODY	ENGINE	TRANSMISSION
L=Low Line	J=LHD(4WD) U=RHD(4WD) B=RHD(4x2) T=LHD(4x2)	74=4 Dr. 72=2 Dr.	EN0=2.5L(ENC) Diesel ER0=4.0L(ERH) EP0=2.5L(EPE)	DG0=All Auto/Trans DGW=44RE (DGB) DDQ=5 spd. AISIN DGK=42RE (DGB) DBB=All Manual Trans. DGS=4 spd. Auto. AISIN DGD = 3 spd. Auto (DGA)

ITEM	PART	QTY	LINE	ENGINE	TRANS	DESCRIPTION
------	------	-----	------	--------	-------	-------------

**Crankshaft, Piston and Torque Converter
2.5L Engine**

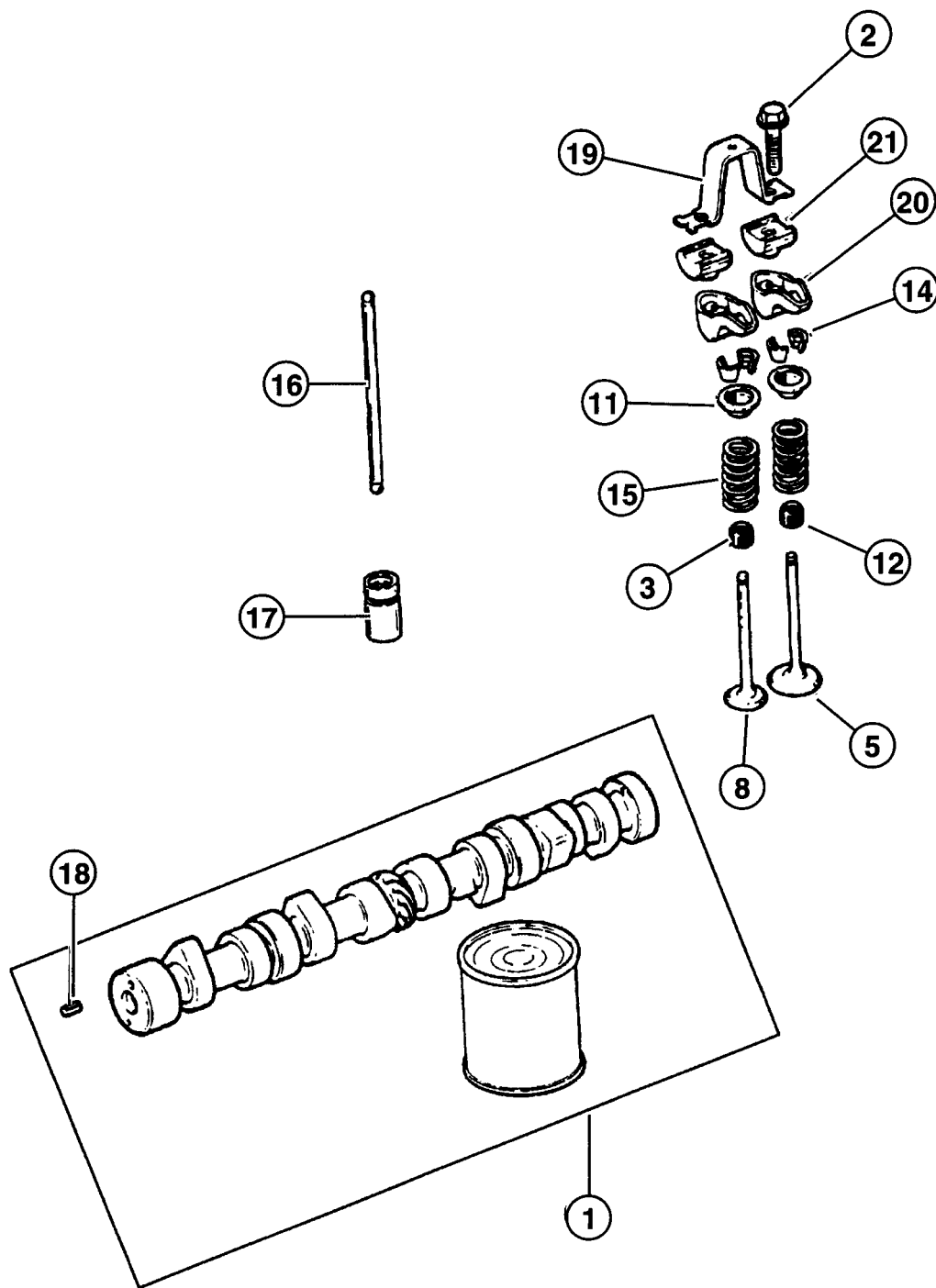
2.5L 4-Cylinder Engine

JEEP CHEROKEE (LHD) & (RHD) (XJ)

SERIES	LINE	BODY	ENGINE	TRANSMISSION
L=Low Line	J=LHD(4WD) U=RHD(4WD) B=RHD(4x2) T=LHD(4x2)	74=4 Dr. 72=2 Dr.	EN0=2.5L(ENC) Diesel ER0=4.0L(ERH) EP0=2.5L(EPE)	DG0=All Auto/Trans DGW=44RE (DGB) DDQ=5 spd. AISIN DGK=42RE (DGB) DBB=All Manual Trans. DGS=4 spd. Auto. AISIN DGD = 3 spd. Auto (DGA)

Camshaft and Valves
2.5L Engine

2.5L4-510



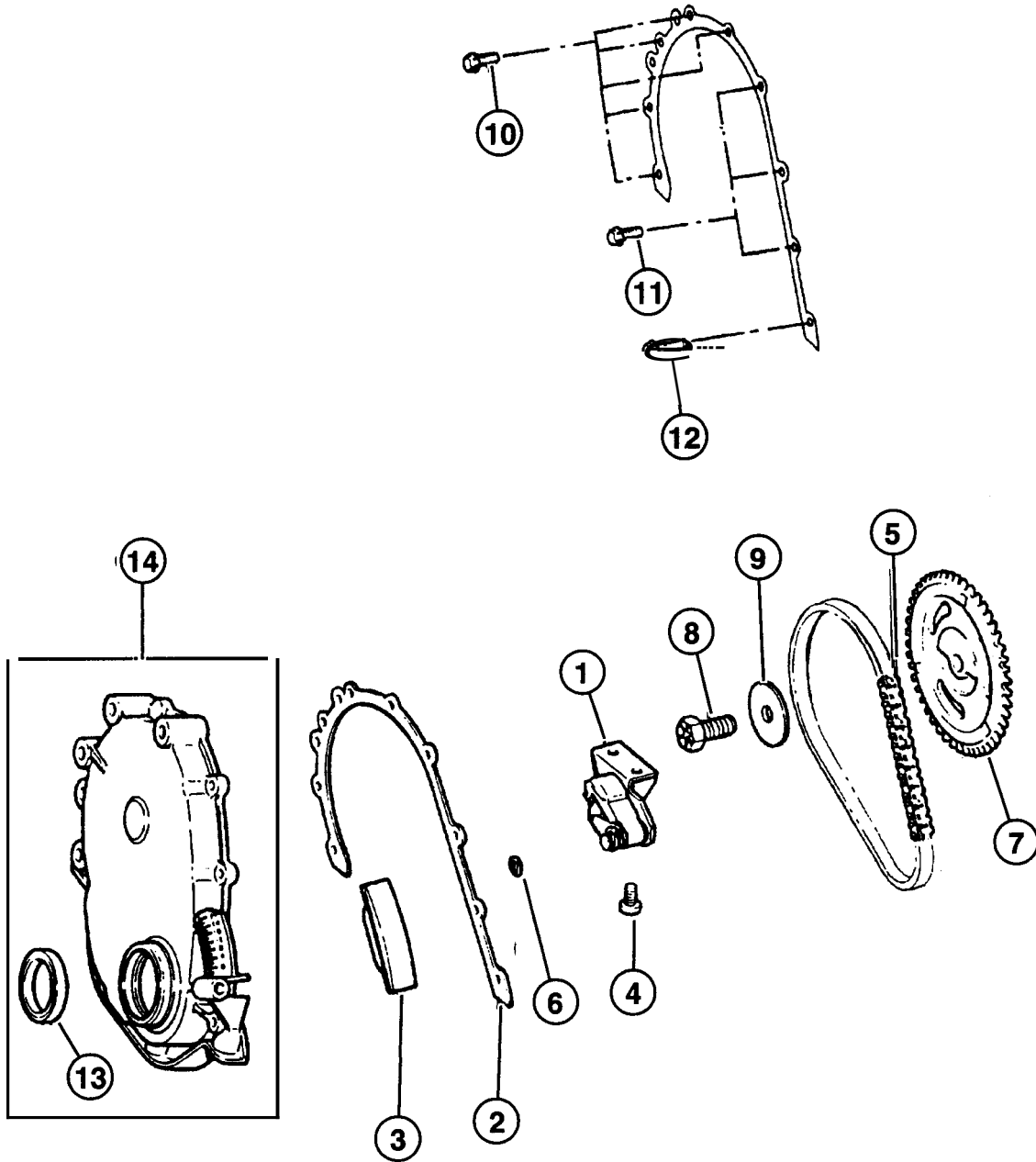
ITEM	PART	QTY	LINE	ENGINE	TRANS	DESCRIPTION
Camshaft and Valves 2.5L Engine						
1	5302 0497	1		EPO		CAMSHAFT, Engine
2	J942 5708	8		EPO		BOLT, Hex Flange Head, .312-18x1.25
3	5300 9887	4		EPO		SEAL, Valve Guide, Standard
-4	3300 2733	AR		EPO, ERO		SEAL, Valve Guide, .015" Oversize
5						VALVE, Intake, Standard
	3300 3515	4		EPO		Standard, 1997 XJ, 1998 XJ
	53010 512AA	6		ERO		1999 XJ
-6						VALVE, Intake, .015" O/S (NOT REQUIRED), 1999 XJ
	3300 3519	AR		EPO, ERO		1997 XJ, 1998 XJ
-7						VALVE, Intake, .015" O/S (NOT REQUIRED), 1999 XJ
	3300 3575	AR		EPO, ERO		1997 XJ, 1998 XJ
8						VALVE, Exhaust, Standard
	4637 537	4		EPO		1999 XJ
	4637 537	4		EPO		Stand
-9						VALVE, Exhaust, .003" O/S (NOT REQUIRED), 1999 XJ
	4637 538	AR		EPO, ERO		1997 XJ, 1998 XJ
-10						VALVE, Exhaust, .015 Oversize (NOT REQUIRED), 1999 XJ
	4637 539	AR		EPO, ERO		1997 XJ, 1998 XJ
11						RETAINER, Valve Spring
	3300 4626	8		EPO		1999 XJ
	53010 514AA	8		EPO		1999 XJ
12	5300 9886	4		EPO		SEAL, Valve Guide
-13	3300 3016	AR		EPO, ERO		SEAL, Valve Guide, .015" Oversize
14	3300 3521	16		EPO		LOCK, Valve Spring Retainer
15						SPRING, Valve
	5301 0388	8		EPO		1999 XJ
	5302 0556	8		EPO		1997 XJ, 1998 XJ
16	J324 1709	8		EPO		PUSH R D
17	4740 269	8		EPO		TAPPET, Valve
18	J045 6384	1		EPO		DOWEL, Camshaft Sprocket
19	J323 6513	4		EPQ		BRIDGE, Rocker Arm
20						ROCKER ARM, Valve
	4778 743	8		EPO		1997 XJ
	J324 2393	8		EPO		1998 XJ, 1999 XJ
21	J323 5090	8		EPO		PIVOT, Rocker Arm

JEEP CHEROKEE (LHD) & (RHD) (XJ)

SERIES	LINE	BODY	ENGINE	TRANSMISSION
L=Low Line	J=LHD(4WD) U=RHD(4WD) B=RHD(4x2) T=LHD(4x2)	74=4 Dr. 72=2 Dr.	EN0=2.5L(ENC) Diesel ER0=4.0L(ERH) EP0=2.5L(EPE)	DG0=All Auto/Trans DGW=44RE (DGB) DDQ=5 spd. AISIN DGK=42RE (DGB) DBB=All Manual Trans. DGS=4 spd. Auto. AISIN DGD=3 spd. Auto (DGA)

Timing Cover
2.5L Engine

2.5L4-610



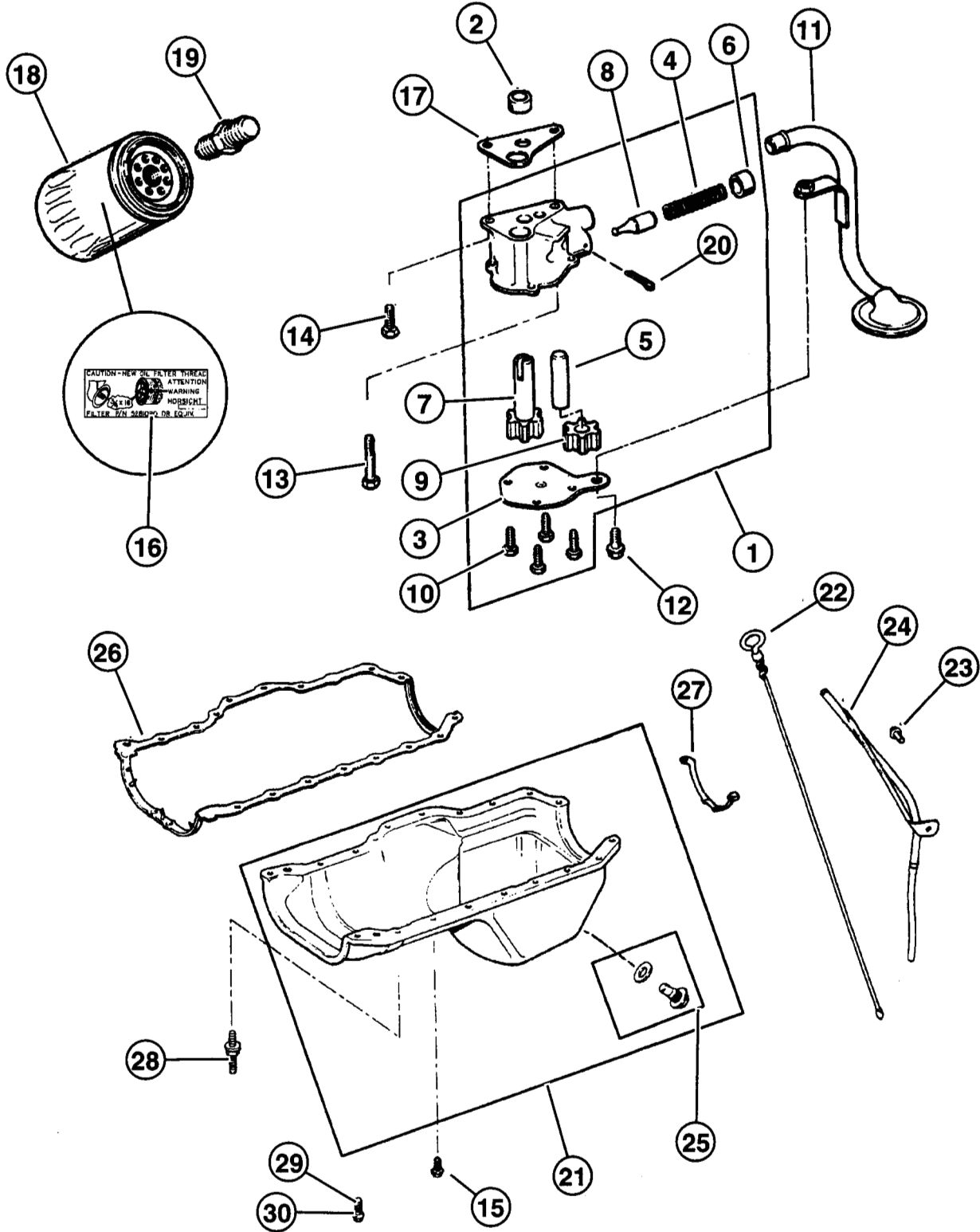
ITEM	PART	QTY	LINE	ENGINE	TRANS	DESCRIPTION
Timing Cover 2.5L Engine						
1	3300 3421	1		EPO		TENSIONER, Belt
2	5302 0487	1		EPO, ERO		GASKET, Front Cover
3	3300 3446	1		EPO, ERO		SNUBBER, Timing Chain
4	J400 6708	2		EPO		SCREW, Pan Head .312-18x.56
5	J324 2300	1		EPO		CHAIN, Timing
6						CLIP, Serviced in Tensioner Assembly, (NOT SERVICED)
7	J324 2280	1		EPO		GEAR, Camshaft
8	J324 3156	1		EPO		BOLT, Hex Flange Head, .50-20x1.38
9						WASHER, Flat, .206 Diameter
	J317 3284	1		EPO		1999 XJ
	J317 3284	1		EPO, ERO		1997 XJ, 1998 XJ
10						BOLT Hex
	J400 6906	5		EPO, ERO		1997 XJ, 1998 XJ
	#6035 893	5		EPO, ERO		1999 XJ
11						SCREW
	6034 604	2		EPO		1997 XJ, 1998 XJ
	#6035 894	2		EPO		1999 XJ
12						SCREW
	6034 914	1		EPO, ERO		1997 XJ, 1998 XJ
	#6035 895	1		EPO, ERO		1999 XJ
13	3300 4681	1		EPO, ERO		SEAL, Front Main Crankshaft
14	5302 0222	1		EPO, ERO		COVER, Timing Belt

JEEP CHEROKEE (LHD) & (RHD) (XJ)

SERIES	LINE	BODY	ENGINE	TRANSMISSION
L=Low Line	J=LHD(4WD) U=RHD(4WD) B=RHD(4x2) T=LHD(4x2)	74=4 Dr. 72=2 Dr.	EN0=2.5L(ENC) Diesel ER0=4.0L(ERH) EP0=2.5L(EPE)	DG0=All Auto/Trans DGW=44RE (DGB) DDQ=5 spd. AISIN DGK=42RE (DGB) DBB=All Manual Trans. DGS=4 spd. Auto. AISIN DGD = 3 spd. Auto (DGA)

Engine Oiling
2.5L Engine

2.5L4-710



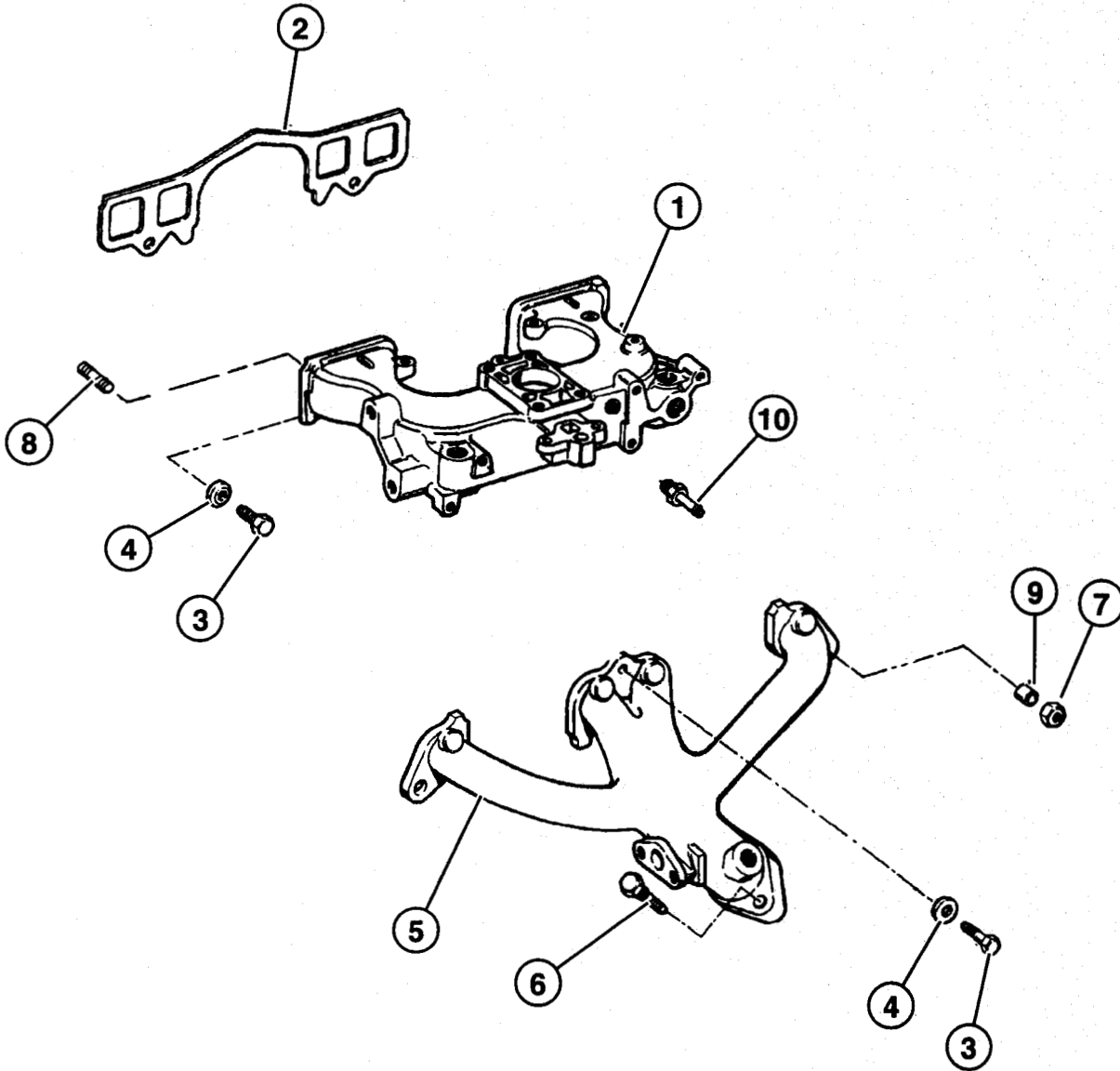
ITEM	PART	QTY	LINE	ENGINE	TRANS	DESCRIPTION
Engine Oiling 2.5L Engine						
1	J324 1399	1		EPO		PUMP, Engine Oil
2	J400 5149	1		EPO, ERO		DOWEL, Oil Pump
3	J324 1733	1		EPO		COVER, Engine Oil Pump
4	J323 9668	1		EPO		SPRING, Oil Pressure Relief Valve
5	J317 1956	1		EPO		SHAFT, Oil Pump
6	J317 1958	1		EPO		RETAINER, Oil Release Valve
7	J317 2334	1		EPO		GEAR, Oil Pump
8	J318 8661	1		EPO		PLUNGER, Oil Pressure Relief Valve
9	J319 6843	1		EPO		GEAR, Oil Pump Driven
10	J941 6852	4		EPO		SCREW, Hex Flange Head, .25-20x.50
11	5302 0564	1		EPO		TUBE, Oil Pump Inlet
12	J941 9683	1		EPO		BOLT, Hex Flange Head, .312-18x.625
13	0154 593	1		EPO, ERO		SCREW, Hex Head Coned, .312-18x2.625
14	6022 235	1		EPO, ERO		BOLT AND WASHER, Hex Head, .312-18x1.00
15	6034 732	13		EPO		SCREW AND WASHER, Hex Head, .25-20x.545
16						LABEL, Oil Filter Thread I.D. (NOT REQUIRED), 1999 XJ 1997 XJ, 1998 XJ
17	5300 8907	1				GASKET, Oil Pump
18	J317 2332	1		EPO, ERO		FILTER, Engine Oil
19	5281 090	1		EPO, ERO		CONNECTOR, Oil Filter
20	J027 1448	1		EPO		PIN, Roll, 5/32" x 1.00
21	5302 0560	1		EPO		PAN, Engine Oil
22	5301 0444	1		EPO		INDICATOR, Engine Oil Level
23	6035 664	1		EPO, ERO		STUD, .312-18x1.560
24	5301 0343	1		EPO		TUBE, Oil Filler
25	6035 417	1		EPO		PLUG, Oil Drain
26	5300 7567	1		EPO		GASKET, Oil Pan
27	J324 3116	1		EPO		SUPPORT, Engine Oil Pan
28	6034 734	6		EPO		BOLT, Double Stud Hex, .250-20x1.437 & .250-20 x.700
29	6034 483	3		EPO		SCREW, Hex Head Coned, .312-18x.875
30	6034 733	1		EPO		STUD, .312-18/.250-20x1.680

JEEP CHEROKEE (LHD) & (RHD) (XJ)

SERIES	LINE	BODY	ENGINE	TRANSMISSION
L=Low Line	J=LHD(4WD) U=RHD(4WD) B=RHD(4x2) T=LHD(4x2)	74=4 Dr. 72=2 Dr.	EN0=2.5L(ENC) Diesel ER0=4.0L(ERH) EP0=2.5L(EPE)	DG0=All Auto/Trans DGW=44RE (DGB) DDQ=5 spd. AISIN DGK=42RE (DGB) DBB=All Manual Trans. DGS=4 spd. Auto. AISIN DGD = 3 spd. Auto (DGA)

Manifold, Intake and Exhaust
2.5L Engine

2.5L4-810



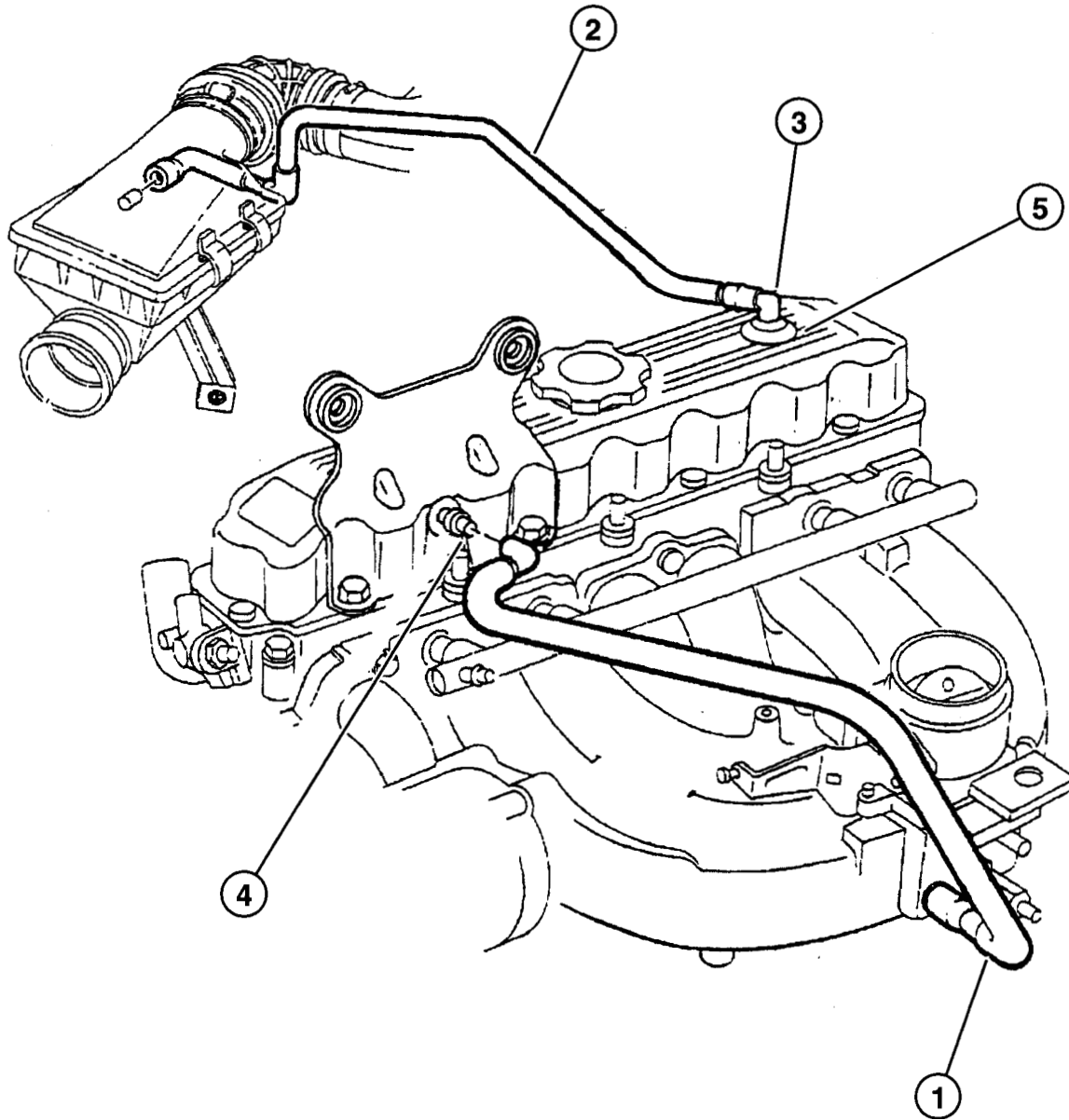
ITEM	PART	QTY	LINE	ENGINE	TRANS	DESCRIPTION
Manifold, Intake and Exhaust 2.5L Engine						
1	5301 0245	1		EPO		MANIFOLD, Intake
2	53020112	1		EPO		GASKET, Intake Manifold
3						BOLT AND RETAINER, Hex Head
	J018 6622	4		EPO		
4	#6036 045AA	4		EPO		1999 XJ WASHER, Manifold Retaining
	3300 4255	2		EPO		1999 XJ
	3300 4255	7		EPO		
5	5300 8860	1		EPO		MANIFOLD, Exhaust
6	J400 7109	2		EPO		STUD, .375-16~1.69
7	6034 984	2		EPO, ERO		NUT, Hex Flange Lock, .375-24
8	5301 0165	2		EPO, ERO		STUD, .375-16/.375-24x1.75
9	3300 3332	2		EPO		SPACER, Exhaust Manifold
10						FITTING, Vacuum
	4854 194	1		EPO		Power Brake
	4854 194	1		EPO		Crankcase Ventilation
	4854 194	1		EPO		Duty Cycle Purge Solenoid
	5302 0027	1		EPO		Heater Control, 1998 XJ. 1999 XJ

JEEP CHEROKEE (LHD) & (RHD) (XJ)

SERIES	LINE	BODY	ENGINE	TRANSMISSION
L=Low Line	J=LHD(4WD) U=RHD(4WD) B=RHD(4x2) T=LHD(4x2)	74=4 Dr. 72=2 Dr.	EN0=2.5L(ENC) Diesel ER0=4.0L(ERH) EP0=2.5L(EPE)	DG0=All Auto/Trans DGW=44RE (DGB) DDQ=5 spd. AISIN DGK=42RE (DGB) DBB=All Manual Trans. DGS=4 spd. Auto. AISIN DGD = 3 spd. Auto (DGA)

**Crankcase Ventilation
2.5L Engine**

2.5L4-910



ITEM	PART	QTY	LINE	ENGINE	TRANS	DESCRIPTION
Crankcase Ventilation 2.5L Engine						
1	4854 072	1		EPO		TUBE, Vent
2						TUBE, Crankcase Vent To Air Cleaner
	4854 180	1		ERO		1997 XJ
	4854 192	1		EPO		1998 XJ 1999 XJ
3						FITTING, Crankcase Vent Tube
	5303 0497	1		EPO		1997 XJ
	5303 0991	1		EPO		1998 XJ. 1999 XJ
4	3300 4175	1		EPO		CONNECTOR, Vacuum Hose
5	2946 079	1		EPO		GROMMET, Crankcase Vent

JEEP CHEROKEE (LHD) & (RHD) (XJ)

SERIES	LINE	BODY	ENGINE	TRANSMISSION
L=Low Line	J=LHD(4WD) U=RHD(4WD) B=RHD(4x2) T=LHD(4x2)	74=4 Dr. 72=2 Dr.	EN0=2.5L(ENC) Diesel ER0=4.0L(ERH) EP0=2.5L(EPE)	DG0=All Auto/Trans DGW=44RE (DGB) DDQ=5 spd. AISIN DGK=42RE (DGB) DBB=All Manual Trans. DGS=4 spd. Auto. AISIN DGD = 3 spd. Auto (DGA)

ITEM	PART	QTY	LINE	ENGINE	TRANS	DESCRIPTION
------	------	-----	------	--------	-------	-------------

**Crankcase Ventilation
 2.5L Engine**

JEEP CHEROKEE (LHD) & (RHD) (XJ)

SERIES	LINE	BODY	ENGINE	TRANSMISSION
L=Low Line	J=LHD(4WD) U=RHD(4WD) B=RHD(4x2) T=LHD(4x2)	74=4 Dr. 72=2 Dr.	EN0=2.5L(ENC) Diesel ER0=4.0L(ERH) EP0=2.5L(EPE)	DG0=All Auto/Trans DGW=44RE (DGB) DDQ=5 spd.AISIN DGK=42RE (DGB) DBB=All Manual Trans. DGS=4 spd. Auto. AISIN DGD = 3 spd. Auto (DGA)