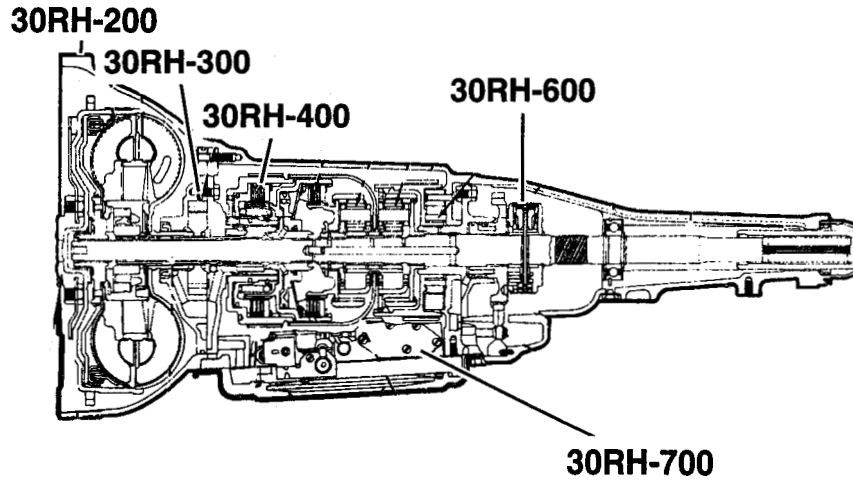
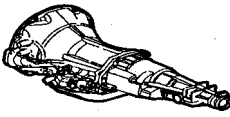
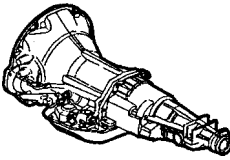

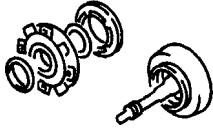
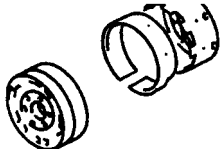
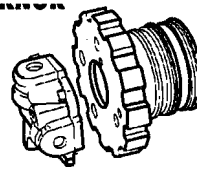
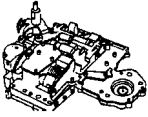
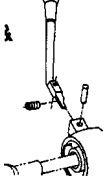


Group - 30RH

3 Speed Automatic Transmission



<p>30RH-100 Transmission Assembly</p> 	<p>30RH-200 Case and Extension</p> 	<p>30RH-300 Oil Pump</p> 	<p>30RH-400 Gear Train</p> 
<p>30RH-500 Bands, Reverse and Kick-down</p> 	<p>30RH-600 Governor</p> 	<p>30RH-700 Valve Body</p> 	<p>30RH-1200 Gearshift Controls</p> 

Group - 30RH

3 Speed Automatic Transmission

--	--	--	--

Group 30RH - 3 Speed Automatic Transmission

Transmission Assembly	30RH 100
Transmission 1998 XJ 1999 XJ	Fig. 30RH-110
Case and Extension	30RH 200
Case and Related Parts 1998 XJ 1999 XJ	Fig. 30RH-210
Oil Pump	30RH 300
Pump 1998 XJ 1999 XJ	Fig. 30RH-310
Gear Train	30RH 400
Gear 1998 XJ 1999 XJ	Fig. 30RH-410
Gear 1998 XJ 1999 XJ	Fig. 30RH-420
Bands, Reverse and Kickdown	30RH 500
BANDS 1998 XJ 1999 XJ	Fig. 30RH-510
Governor	30RH 600
Governor 1998 XJ 1999 XJ	Fig. 30RH-610
Valve Body	30RH 700
Valve Body 1998 XJ 1999 XJ	Fig. 30RH-710
Servos 1998 XJ 1999 XJ	Fig. 30RH-720
Parking Sprag 1998 XJ 1999 XJ	Fig. 30RH-730

JEEP CHEROKEE (LHD) & (RHD) (XJ)

SERIES	LINE	BODY	ENGINE	TRANSMISSION
L=Low Line	J=LHD(4WD) U=RHD(4WD) B=RHD(4x2) T=LHD(4x2)	74=4 Dr. 72=2 Dr.	EN0=2.5L(ENC) Diesel ER0=4.0L(ERH) EP0=2.5L(EPE)	DG0=All Auto/Trans DGW=44RE (DGB) DDQ=5 spd. AISIN DGK=42RE (DGB) DBB=All Manual Trans. DGS=4 spd. Auto. AISIN DGD= 3 spd. Auto (DGA)

Group 30RH - 3 Speed Automatic Transmission

Gearshift Controls

30RH 1200

Controls 1998 XJ 1999 XJ Fig. 30RH-1210

JEEP CHEROKEE (LHD) & (RHD) (XJ)

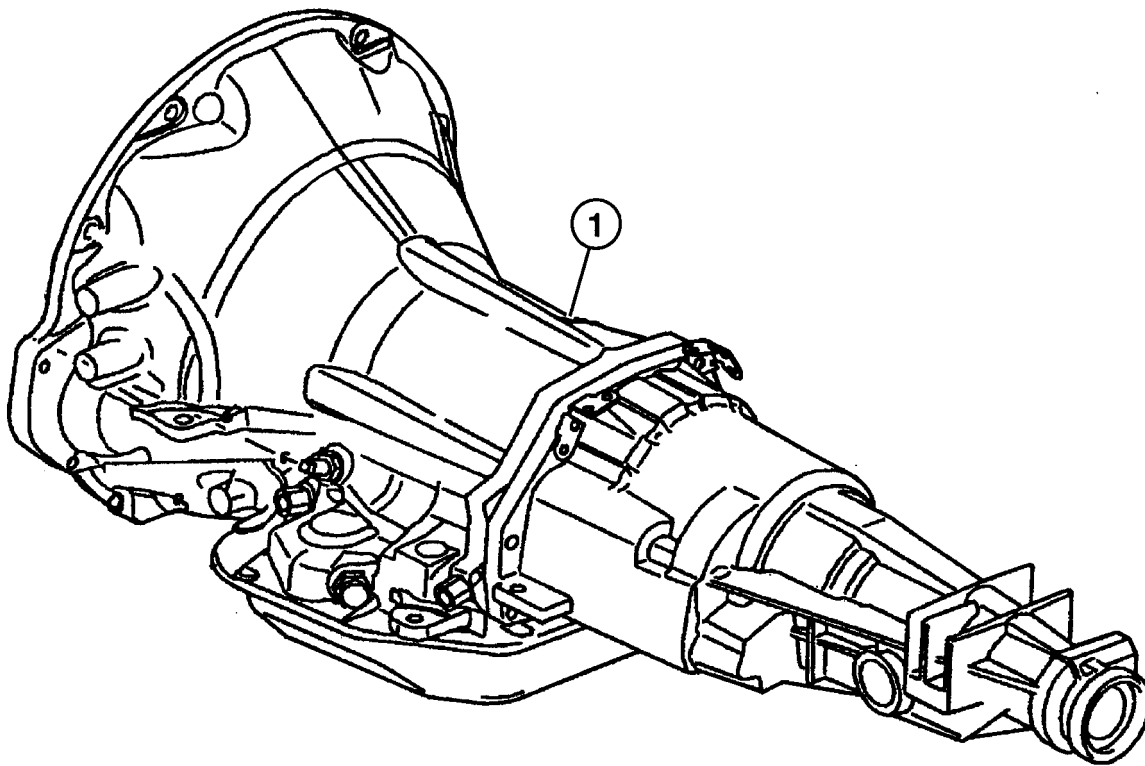
SERIES	LINE	BODY	ENGINE	TRANSMISSION
L=Low Line	J=LHD(4WD) U=RHD(4WD) B=RHD(4x2) T=LHD(4x2)	74=4 Dr. 72=2 Dr.	EN0=2.5L(ENC) Diesel ER0=4.0L(ERH) EP0=2.5L(EPE)	DG0=All Auto/Trans DGW=44RE (DGB) DDQ=5 spd.AISIN DGK=42RE (DGB) DBB=All Manual Trans. DGS=4 spd. Auto. AISIN DGD = 3 spd. Auto (DGA)

Group 30RH - 3 Speed Automatic Transmission**JEEP CHEROKEE (LHD) & (RHD) (XJ)**

SERIES	LINE	BODY	ENGINE	TRANSMISSION
L=Low Line	J=LHD(4WD) U=RHD(4WD) B=RHD(4x2) T=LHD(4x2)	74=4 Dr. 72=2 Dr.	EN0=2.5L(ENC) Diesel ER0=4.0L(ERH) EP0=2.5L(EPE)	DG0=All Auto/Trans DGW=44RE (DGB) DDQ=5 spd. AISIN DGK=42RE (DGB) DBB=All Manual Trans. DGS=4 spd. Auto. AISIN DGD = 3 spd. Auto (DGA)

Transmission
1998 XJ 1999 XJ

30RH-110



ITEM	PART	QTY	LINE	SERIES	ENGINE	TRANS	DESCRIPTION
------	------	-----	------	--------	--------	-------	-------------

Transmission
1998 XJ 1999 XJ

1	52119801AA	1	B, T		EPO	DGD	TRANSMISSION, 30RH 1998 XJ
	#52119 810AA	1	B, T		EPO	DGD	1999 XJ

JEEP CHEROKEE (LHD) & (RHD) (XJ)

SERIES	LINE	BODY	ENGINE	TRANSMISSION
L=Low Line	J=LHD(4WD) U=RHD(4WD) B=RHD(4x2) T=LHD(4x2)	74=4 Dr. 72=2 Dr.	EN0=2.5L(ENC) Diesel ER0=4.0L(ERH) EP0=2.5L(EPE)	DG0=All Auto/Trans DGW=44RE (DGB) DDQ=5 spd.AISIN DGK=42RE (DGB) DBB=All Manual Trans. DGS=4 spd. Auto. AISIN DGD = 3 spd. Auto (DGA)

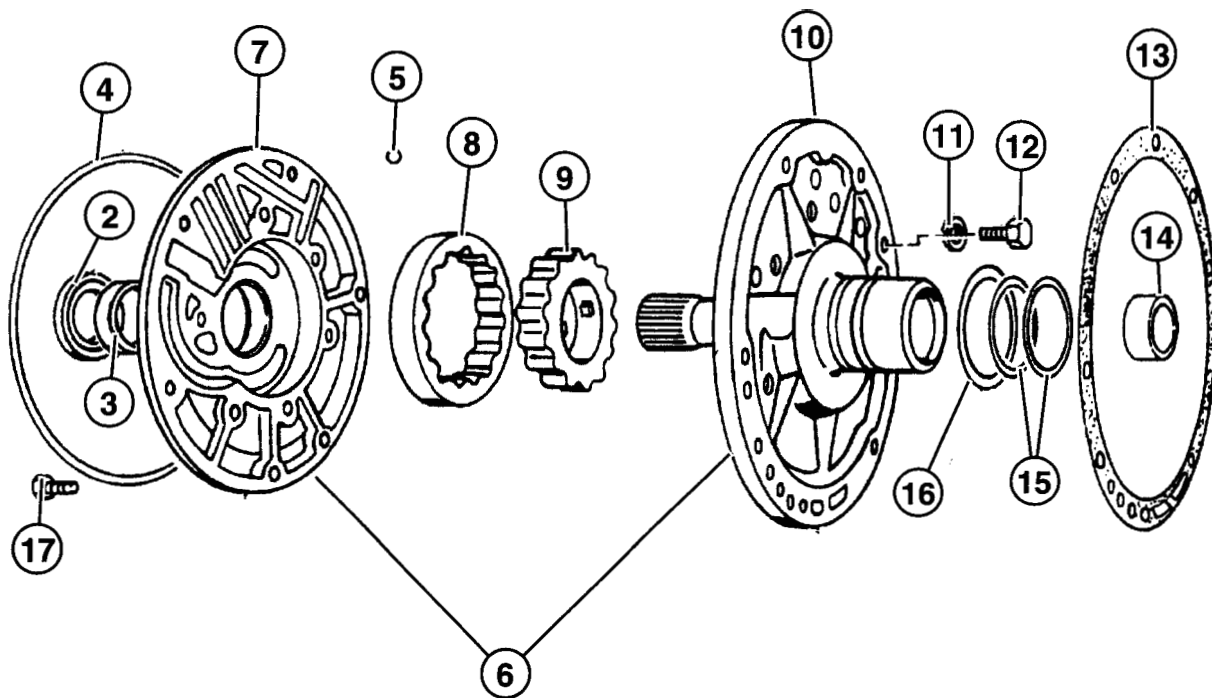
ITEM	PART	QTY	LINE	SERIES	ENGINE	TRANS	DESCRIPTION
Case and Related Parts 1998 XJ 1999 XJ							
1	52104244AB	1			EPO	DGO	TUBE, Transmission Oil Filler 1999 XJ
	52118062	1			EPO, ERO	DGO	1998 XJ
2	52104278AB	1			EPO	DGO	INDICATOR Transmission Fluid Level 1999 XJ
	52118063	1			EPO	DGD	1998 XJ
3	52118629AB	1			EPO	DGO	SEAL, Oil Filler Tube 1999 XJ
	J0940298	1			EPO	DGO	1998 XJ
4	52118593	1	B, T		EPO	DGD	CASE, Transmission
5	4431433	1	B, T		EPO	DGD	SUPPORT, Output Shaft
6	52118835AA	1	B, T		EPO	DGD	CASE, Transmission Hear, 1999 XJ
7	2400185	1	B, T		EPO	DGD	SNAP RING, 1999 XJ
8	J4001701	AR					SCREW, Hex Self Tapping, .19-16x.50, 1999 XJ
9	4638941	1	B, T		EPO	DGD	SEAL, Extension, 1999 XJ
10	6028095	1	B, T		EPO	DGD	PLUG, Pressure Check
11	6033480	1	B, T		EPO	DGD	SNAP RING, Reverse Drum, 1999 XJ
12	4295875	1	B, T		EPO	DGD	GASKET, Oil Pan
13	56028181	1	B, T		EPO	DGD	SWITCH, Neutral, Safety, Back Up
14	2466954	1	B, T		EPO	DGD	GASKET, Transmission Case
15							SCREW
	1942477	1	B, T		EPO	DGD	1998 XJ
	6036141AA	1	B, T		EPO	DGD	1999 XJ
16	52028471	1	B, T		EPO	DGD	CONNECTOR, Oil Cooler Tube, .375 Tube x .25 Thread
17	4505098	1	B, T		EPO	DGD	SEAL, Manual Shift Valve, 1.25 OD
18							NUT, (NOT SERVICED), 1999 XJ
19	52118802	1	B, T		EPO	DGD	PAN, Transmission Oil
20	4723548	14	B, T		EPO	DGD	SCREW AND WASHER, Hex Head, .312-18x.625
21	53003090	1	J, T		EPO	DGD	LEVER, Selector, 1999 XJ
22	2466957	1	B, T		EPO	DGD	COVER, Transmission Converter
23							BOLT, (NOT SERVICED), 1999 XJ
24	11502628	2			EPO	DGD	BOLT, Hex Flange Head, M8x1.25x30, 1999 XJ
26	34201837	1				DGD	BOLT, Hex Flange Head, M12x1.75x90, 1999 XJ
27	6033479	6	B, T		EPO	DGD	BOLT, Hex Head, .25-28x1-5/8
28	3681601	1	B, T		EPO	DGD	MAGNET, Transmission
29	6033616	5	B, T		EPO	DGD	SCREW, Hex Flange Head, .25-28x.875
30	52118595	1	B, T		EPO	DGD	SOLENOID, Transmission
31	56038235	1	B, T		EPO	DGD	CONNECTOR, Wiring
32	6029531	6	B, T		EPO	DGD	SCREW, Hex Flange Head Lock, .375-16x1.25, 1999 XJ
33	2466957	1	B, T		EPO	DGD	COVER, Transmission Converter, 1999 XJ
34	2801398	1	B, T		EPO	DGD	GASKET, Transmission, 1999 XJ
35	6028022	2	B, T		EPO	DGD	SCREW, Flange Head Locking, .25-20x.62, 1999 XJ

JEEP CHEROKEE (LHD) & (RHD) (XJ)

SERIES	LINE	BODY	ENGINE	TRANSMISSION
L=Low Line	J=LHD(4WD) U=RHD(4WD) B=RHD(4x2) T=LHD(4x2)	74=4 Dr. 72=2 Dr.	EN0=2.5L(ENC) Diesel ER0=4.0L(ERH) EP0=2.5L(EPE)	DG0=All Auto/Trans DGW=44RE (DGB) DDQ=5 spd. AISIN DGK=42RE (DGB) DBB=All Manual Trans. DGS=4 spd. Auto. AISIN DGD= 3 spd. Auto (DGA)

Pump
1998 XJ 1999 XJ

30RH-310



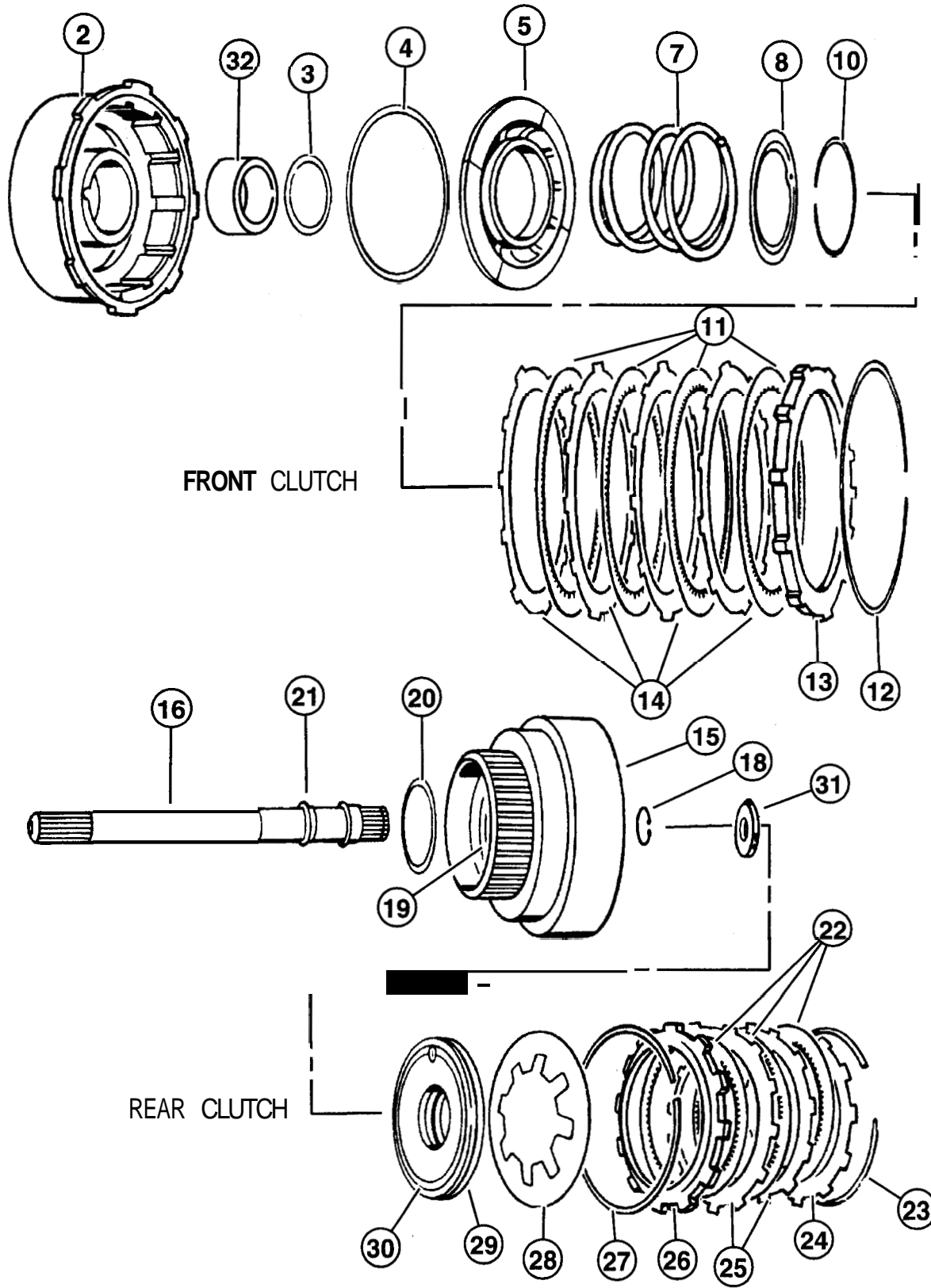
ITEM	PART	QTY	LINE	SERIES	ENGINE	TRANS	DESCRIPTION
Pump 1998 XJ 1999 XJ							
-1	4713 108	1	B, T		EPO	DGD	GASKET AND SEAL PACKAGE, Transmission Oil Pump
2	4412 475	1	B, T		EPO	DGD	SEAL, Impeller Hub, 57.25mm OD
3	2466 796	1	B, T		EPO	DGD	BUSHING, Front Pump
4	2204 709	1	B, T		EPO	DGD	SEAL, Front Pump Housing
5	0104 918	1	B, T		EPO	DGD	BALL, Valve Body Check, 1999 XJ
6							PUMP, Transmission Oil
	4778 552	1	B, T		EPO	DGD	1998 XJ
	5211 8267	1	B, T		EPO	DGD	1999 XJ
7							HOUSING, Pump, (NOT SERVICED), 1999 XJ
8							ROTOR, Oil Pump, (NOT SERVICED), 1999 XJ
9							ROTOR, Oil Pump, (NOT SERVICED), 1999 XJ
10							SHAFT, Oil Pump, (NOT SERVICED), 1999 XJ
11							LOCK WASHER, (NOT SERVICED), 1999 XJ
12	0179815	6	B, T		EPO	DGD	SCREW, Hex Head. .312-18x.687
13	5211 8266	1	B, T		EPO	DGD	GASKET, Transmission Oil Pump
14	4058 635	1	B, T		EPO	DGD	BUSHING, Reaction Sha
15	4471 874	2	B, T		EPO	DGD	SEAL, Ring Reaction Support, 2 1/16 O.D.
16							THRUST WASHER, FrontClutch
	4617 786	1	B, T		EPO	DGD	1998 XJ
	4617 786	1	B, T		EPO	DGD	Rear 1999 XJ
	4617 786	1	B, T		EPO	DGD	Front, 1999 XJ
17	6023 943	6	B, T		EPO	DGD	SCREW AND WASHER, Hex Flange Head, .312-18x1.375

JEEP CHEROKEE (LHD) & (RHD) (XJ)

SERIES	LINE	BODY	ENGINE	TRANSMISSION
L=Low Line	J=LHD(4WD) U=RHD(4WD) B=RHD(4x2) T=LHD(4x2)	74=4 Dr. 72=2 Dr.	EN0=2.5L(ENC) Diesel ER0=4.0L(ERH) EP0=2.5L(EPE)	DG0=All Auto/Trans DGW=44RE (DGB) DDQ=5 spd. AISIN DGK=42RE (DGB) DBB=All Manual Trans. DGS=4 spd. Auto. AISIN DGD = 3 spd. Auto (DGA)

Gear
1998 XJ 1999 XJ

30RH-410



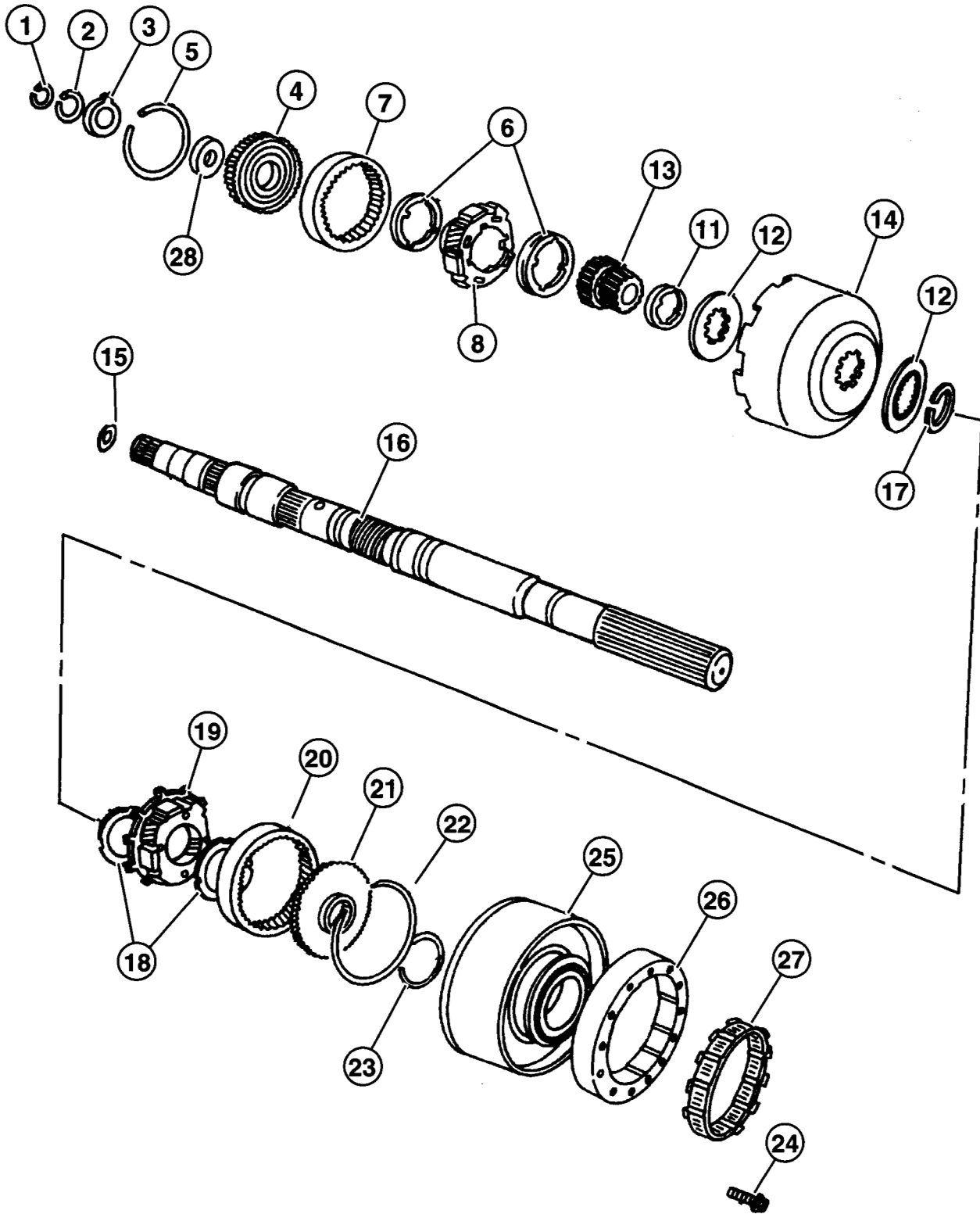
ITEM	PART	QTY	LINE	SERIES	ENGINE	TRANS	DESCRIPTION
Gear							
1998 XJ 1999 XJ							
-1	5252 926	1	B, T		EPO	DGD	SEAL PACKAGE, Transmission Clutch
2							RETAINER AND BUSHING, Transmission Front Clutch
	4531 285	1	B, T		EPO	DGD	1998 XJ
	#4531 285AB	1	B, T		EPO	DGD	1999 XJ
3	3515 176	1	B, T		EPO	DGD	SEAL, Front Clutch Piston
4							SEAL, Front Piston Clutch
	4058 487	1	B, T		EPO	DGD	1998 XJ
	#4058 487AB	1	B, T		EPO	DGD	1999 XJ
5	3515 716	1	B, T		EPO	DGD	PISTON, Clutch
-6	0147 483	1	B, T		EPO	DGD	CHECK BALL, Dia-.187, 1999 XJ
7	3515 054	1	B, T		EPO	DGD	SPRING, Front Clutch
8							RETAINER, Transmission Front Clutch Piston Spring
	4617 516	1	B, T		EPO	DGD	1998 XJ
	#4617 516AC	1	B, T		EPO	DGD	1999 XJ
-9	0147 483	1	B, T		EPO	DGD	CHECK BALL, Dia-.187, 1999 XJ
10	1942 400	1	B, T		EPO	DGD	SNAP RING, 1999 XJ
11	4617 362	4	B, T		EPO	DGD	DISC, Direct Clutch
12	3410571	1	B, T		EPO	DGD	SNAP RING, 1999 XJ
13	4617176	1	B, T		EPO	DGD	PLATE, Transmission Clutch Reaction
14	1942 403AB	2	B, T		EPO	DGD	PLATE, Clutch Separator, 1999 XJ
15							RETAINER, Transmission Rear Clutch
	2464 463	1	B, T		EPO	DGD	1998 XJ
	4505 195	1	B, T		EPO	DGD	1999 XJ
16							SHAFT, Input, (NOT SERVICED), 1999 XJ
-17	0147 483	1	B, T		EPO	DGD	CHECK BALL, Dia-.187
18	6022 859	1	B, T		EPO	DGD	SNAP RING, .890625
19	4028 333	1	B, T		EPO	DGD	SEAL, Rear Clutch, 1.50 ODx.009 Thk
20	4617 786	1	B, T		EPO	DGD	THRUST WASHER, Front Clutch
21	1401 221	1	B, T		EPO	DGD	SEAL, Input Shaft
22	4713 880	3	B, T		EPO	DGD	DISC, Clutch, 1999 XJ
23	5014 226AA	1	B, T		EPO	DGD	SNAP RING PACKAGE, Transmission, 1999 XJ
24	4617 176	1	B, T		EPO	DGD	PLATE, Transmission Clutch Reaction
25	1942 403AB	2	B, T		EPO	DGD	PLATE, Clutch Separator, 1999 XJ
26	2466 281	1	B, T		EPO	DGD	PLATE, Clutch Pressure
27	2466 283	1	B, T		EPO	DGD	SPRING, Rear Clutch
28	4728 487	1	B, T		EPO	DGD	SPRING, Rear Clutch Piston
29	2538 510	1	B, T		EPO	DGD	SEAL, Rear Clutch Piston
30	3515716	1	B, T		EPO	DGD	PISTON, Clutch, 1999 XJ
31	4505 185	1	B, T		EPO	DGD	THRUST WASHER, Output Shaft, Gray .052
32	4617157	1	B, T		EPO	DGD	BUSHING, Front Clutch

JEEP CHEROKEE (LHD) & (RHD) (XJ)

SERIES	LINE	BODY	ENGINE	TRANSMISSION
L=Low Line	J=LHD(4WD) U=RHD(4WD) B=RHD(4x2) T=LHD(4x2)	74=4 Dr. 72=2 Dr.	EN0=2.5L(ENC) Diesel ER0=4.0L(ERH) EP0=2.5L(EPE)	DG0=All Auto/Trans DGW=44RE (DGB) DDQ=5 spd. AISIN DGK=42RE (DGB) DBB=All Manual Trans. DGS=4 spd. Auto. AISIN DGD = 3 spd. Auto (DGA)

Gear
1998 XJ 1999 XJ

30RH-420



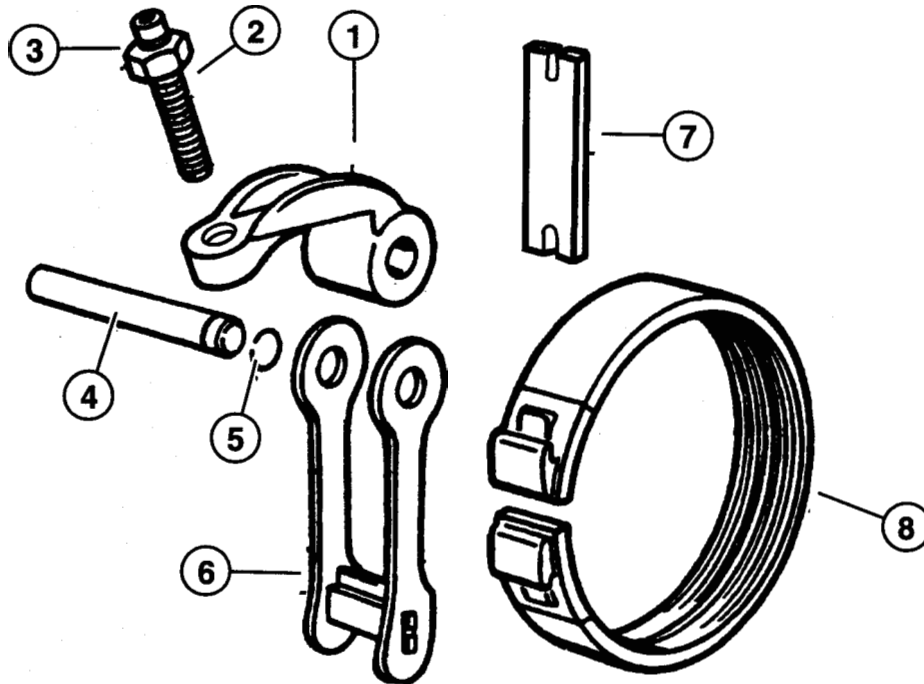
ITEM	PART	QTY	LINE	SERIES	ENGINE	TRANS	DESCRIPTION
Gear							
1998 XJ 1999 XJ							
1	6026 289	1	B, T	EPO	DGD		SNAP RING, .946 ID
2	6030 576	1	B, T	EPO	DGD		SNAP RING, Annulus Gear, 1.375 ID
3	3681 969	1	B, T	EPO	DGD		THRUST WASHER, Annulus Gear
4	4617 774	1	B, T	EPO	DGD		SUPPORT, Annulus Gear, 1999 XJ
5	6030 576	1	B, T	EPO	DGD		SNAP RING, Annulus Gear, 1.375 ID
6	4130518	2	B, T	EPO	DGD		THRUST WASHER, Planetary Carrier, 1999 XJ
7	4130512	1	B, T	EPO	DGD		GEAR, Front Annulus
8	4130 514	1	B, T	EPO	DGD		CARRIER, Planetary Pinion, 1999 XJ
-9	3681 949	8	B, T	EPO	DGD		THRUST WASHER, Planet Pinion, 1999 XJ
-10	3743 664	76	B, T	EPO	DGD		ROLLER, Front and Rear Pinion, 1999 XJ
11	4130736	1	B, T	EPO	DGD		SPACER, Sun Gear
12	4471 566	2	B, T	EPO	DGD		PLATE, Transmission Module, 1999 XJ
13	4130 685	1	B, T	EPO	DGD		GEAR, Sun
14	4531 288	1	B, T	EPO	DGD		SHELL, Sun Gear
15	4505 188	1	B, T	EPO	DGD		PLATE, Transmission Module, 1999 XJ
16	4617318	1	B, T	EPO	DGD		MAINSHAFT, Transmission
17	1942 439	1	B, T	EPO	DGD		SNAP RING, Sun Gear Shell
18	4130518	2	B, T	EPO	DGD		THRUST WASHER, Planetary Carrier, 1999 XJ
19	4431 438	1	B, T	EPO	DGD		CARRIER, Planetary Pinion, 1999 XJ
20	3743 184	1	B, T	EPO	DGD		GEAR, Rear Annulus
21	3515 501	1	B, T	EPO	DGD		SUPPORT, Annulus Gear, 1999 XJ
22	1942 444	1	B, T	EPO	DGD		SNAP RING, 1999 XJ
23	6033 480	1	B, T	EPO	DGD		SNAP RING, Reverse Drum
24	6033 616	5	B, T	EPO	DGD		SCREW, Hex Flange Head, .25-28x.875
25	4637 956	1	B, T	EPO	DGD		DRUM PACKAGE, Transmission
26	4431 690	1	B, T	EPO	DGD		CAM, Overrunning Clutch
27	4431 432	1	B, T	EPO	DGD		CLUTCH, Overrunning
28	4617 775	1	B, T	EPO	DGD		PLATE, Annulus Gear Thrust

JEEP CHEROKEE (LHD) & (RHD) (XJ)

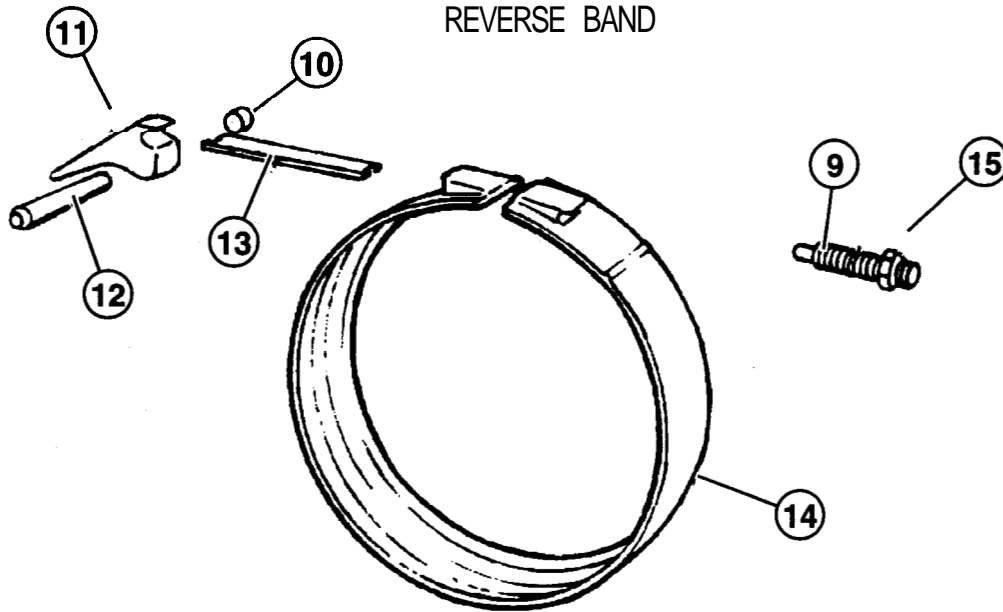
SERIES	LINE	BODY	ENGINE	TRANSMISSION
L=Low Line	J=LHD(4WD) U=RHD(4WD) B=RHD(4x2) T=LHD(4x2)	74=4 Dr. 72=2 Dr.	EN0=2.5L(ENC) Diesel ER0=4.0L(ERH) EP0=2.5L(EPE)	DG0=All Auto/Trans DGW=44RE (DGB) DDQ=5 spd. AISIN DGK=42RE (DGB) DBB=All Manual Trans. DGS=4 spd. Auto. AISIN DGD = 3 spd. Auto (DGA)

BANDS
1998 XJ 1999 XJ

30RH-510



REVERSE BAND



KICKDOWN BAND

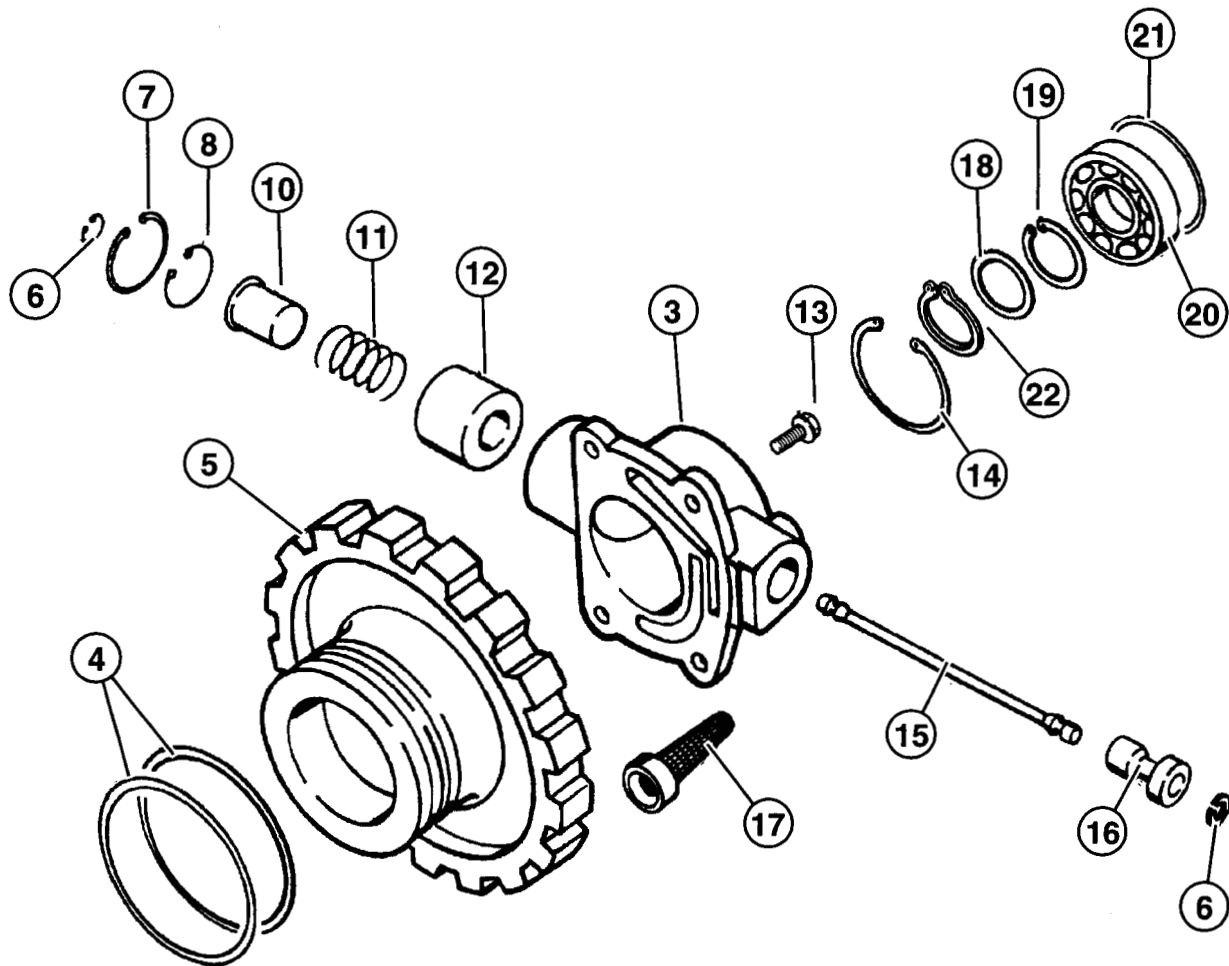
ITEM	PART	QTY	LINE	SERIES	ENGINE	TRANS	DESCRIPTION
BANDS							
1998 XJ 1999 XJ							
1	3681 139	1	B, T		EPO	DGD	LEVER, Reverse Band
2	6030 704	1	B, T		EPO	DGD	SCREW, Cap. .437-20x1.812
3	0271 506	1	B, T		EPO	DGD	NUT, Hex. .42-20
4	3410102	1	B, T		EPO	DGD	SHAFT, Reverse Band
5	6030 657	1	B, T		EPO	DGD	O RING, Steering Gear
6	2464 439	1	B, T		EPO	DGD	LINK, Transmission Reverse Band
7	3515 589	1	B, T		EPO	DGD	STRUT, Reverse Band
8	4431 405	1	B, T		EPO	DGD	BAND, Reverse
9	6036 141AA	1	B, T		EPO	DGD	SCREW, 1999 XJ
10							PLUG, (NOT SERVICED), 1999 XJ
11	2125067	1	B, T		EPO	DGD	LEVER, Kickdown
12	4531 181	1	B, T		EPO	DGD	SHAFT, Band Lever
13	3515 084	1	B, T		EPO	DGD	STRUT, Kickdown Band
14	4617849	1	B, T		EPO	DGD	BAND, Kickdown
15	0124934	1	B, T		EPO	DGD	NUT, Hex Jam, .50-20

JEEP CHEROKEE (LHD) 81(RHD) (XJ)

SERIES	LINE	BODY	ENGINE	TRANSMISSION
L=Low Line	J=LHD(4WD) U=RHD(4WD) B=RHD(4x2) T=LHD(4x2)	74=4 Dr. 72=2 Dr.	EN0=2.5L(ENC) Diesel ER0=4.0L(ERH) EP0=2.5L(EPE)	DG0=All Auto/Trans DGW=44RE (DGB) DDQ=5 spd. AISIN DGK=42RE (DGB) DBB=All Manual Trans. DGS=4 spd. Auto. AISIN DGD= 3 spd. Auto (DGA)

Governor
1998 XJ 1999 XJ

30RH-610



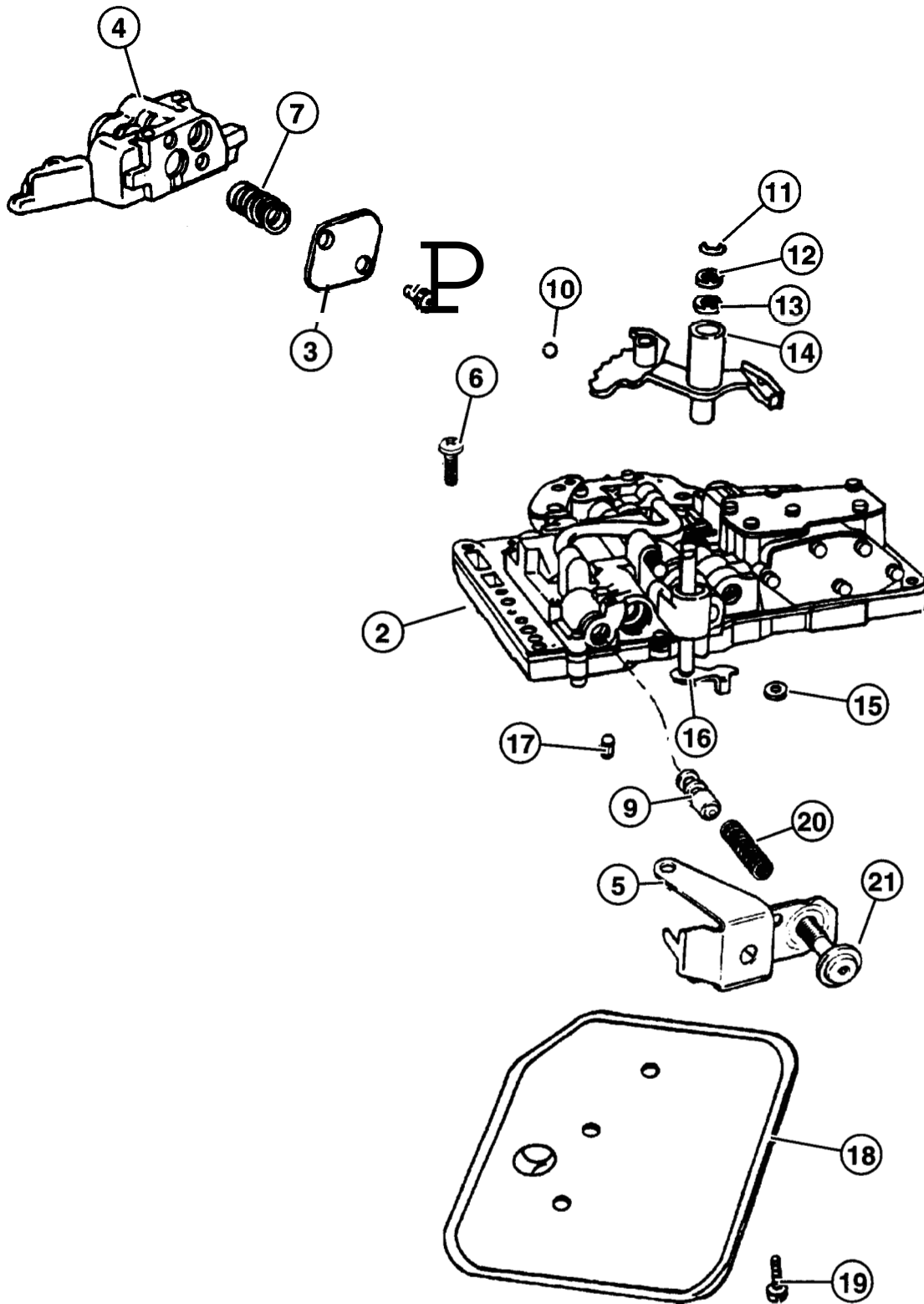
ITEM	PART	QTY	LINE	SERIES	ENGINE	TRANS	DESCRIPTION
Governor 1998 XJ 1999 XJ							
-1	4083 956AA	1	B, T		EPO	DGD	GASKET AND SEAL PACKAGE, Governor
-2	4728 460	1	B, T		EPO	DGD	BODY PACKAGE, Governor
3							BODY, Governor, (NOT SERVICED), 1999 XJ
4	1942109	1	B, T		EPO	DGD	SEAL, Governor
5	3743 518	1	B, T		EPO	DGD	SUPPORT, Governor
6	1638461	2	B, T		EPO	DGD	SNAP RING, 1999 XJ
7	6031 392	1	B, T		EPO	DGD	SNAP RING, Brake Master Cylinder
8	6034 723	1	B, T		EPO	DGD	SNAP RING, Governor
-9	5211 7938	1	B, T		EPO	DGD	WEIGHT KIT, Transmission Governor
10							WEIGHT PACKAGE, Transmission Governor, (NOT SERVICED), 1999 XJ
11							SPRING, (NOT SERVICED), 1999 XJ
12							WEIGHT PACKAGE, Transmission Governor, (NOT SERVICED), 1999 XJ
13	6031 613	2	B, T		EPO	DGD	BOLT, Hex Head, .25-20x.68
14	6027 271	1	B, T		EPO	DGD	SNAP RING, Governor, 1.156
15	1556 082	1	B, T		EPO	DGD	SHAFT, Governor
16	4617064	1	B, T		EPO	DGD	VALVE, Governor
17	3743 519	1	B, T		EPO	DGD	FILTER, Transmission Governor
18							SPACER, Output Shaft, (NOT REQUIRED), 1999 XJ
19	6029 675	1	B, T		EPO	DGD	SNAP RING, Output Shaft, 1.125 OD, 1999 XJ
20	3410 465	1	B, T		EPO	DGD	BEARING, Output Shaft
21							O RING, Output Shaft Bearing, Transmission, (NOT REQUIRED), 1999 XJ
22	6031 392	1	B, T		EPO	DGD	SNAP RING, Brake Master Cylinder, 1999 XJ

JEEP CHEROKEE (LHD) & (RHD) (XJ)

SERIES	LINE	BODY	ENGINE	TRANSMISSION
L=Low Line	J=LHD(4WD) U=RHD(4WD) B=RHD(4x2) T=LHD(4x2)	74=4 Dr. 72=2 Dr.	EN0=2.5L(ENC) Diesel ER0=4.0L(ERH) EP0=2.5L(EPE)	DG0=All Auto/Trans DGW=44RE (DGB) DDQ=5 spd. AISIN DGK=42RE (DGB) DBB=All Manual Trans. DGS=4 spd. Auto. AISIN DGD= 3 spd. Auto (DGA)

Valve Body
1998 XJ 1999 XJ

30RH-710



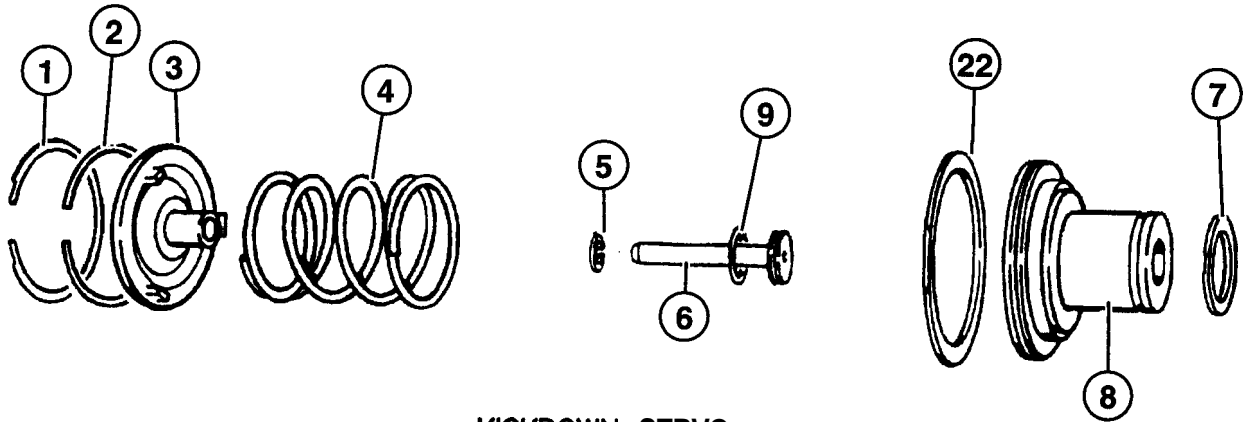
ITEM	PART	QTY	LINE	SERIES	ENGINE	TRANS	DESCRIPTION
Valve Body 1998 XJ 1999 XJ							
-1	4713 105	1	B, T		EPO	DGD	GASKET AND SEAL PACKAGE, Valve Body
2	5211 8596	1	B, T		EPO	DGD	BODY, Transfer Plate
3							PLATE, (NOT SERVICED), 1999 XJ
4							VALVE, Valve Body, (NOT SERVICED), 1999 XJ
5							BRACKET, (NOT SERVICED), 1999 XJ
6							SCREW, (NOT SERVICED), 1999 XJ
7							SPRING, Lock Up Valve (NOT SERVICED), 1999 XJ
	4348 742	1	B, T		EPO	DGD	1998 XJ
-8	4348 907	1	B, T		EPO	DGD	SPRING, Limit Valve
9	4505 036	1	B, T		EPO	DGD	VALVE, Trans Lockup Switch
10	0147488	1	B, T		EPO	DGD	BALL, Manual Lever Detent, .343 Diameter
11	6035 208	2	B, T		EPO	DGD	SNAP RING, 1999 XJ
12	2538 062	1	B, T		EPO	DGD	WASHER, Manual Valve Lever
13	2466 548	1	B, T		EPO	DGD	SEAL, Valve Lever Shift
14	4617 439	1	B, T		EPO	DGD	LEVER, Manual Valve
15	4505 098	1	B, T		EPO	DGD	SEAL, Manual Shift Valve. 1.25 OD
16	3681 227	1	B, T		EPO	DGD	LEVER, Throttle Valve
17	3878313	1	B, T		EPO	DGD	SCREEN, Transmission Regulator Valve
18	3515 996	1	B, T		EPO	DGD	FILTER, Valve Body
19	6033 826	3	B, T		EPO	DGD	SCREW AND WASHER, Oil Filter Mounting, Fil- lester Head.190-24x2.500
20	4130 492	1	B, T		EPO	DGD	SPRING, Switch Valve
21	6030 609	1	B, T		EPO	DGD	SCREW, Cap Head Lock, .312-24x1.25

JEEP CHEROKEE (LHD) & (RHD) (XJ)

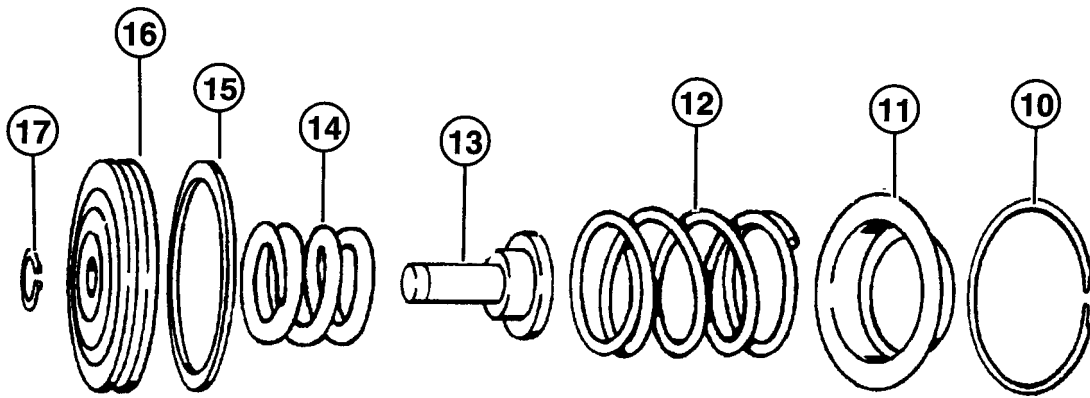
SERIES	LINE	BODY	ENGINE	TRANSMISSION
L=Low Line	J=LHD(4WD) U=RHD(4WD) B=RHD(4x2) T=LHD(4x2)	74=4 Dr. 72=2 Dr.	EN0=2.5L(ENC) Diesel ER0=4.0L(ERH) EP0=2.5L(EPE)	DG0=All Auto/Trans DGW=44RE (DGB) DDQ=5 spd.AISIN DGK=42RE (DGB) DBB=All Manual Trans. DGS=4 spd. Auto. AISIN DGD = 3 spd. Auto (DGA)

Servos
1998 XJ 1999 XJ

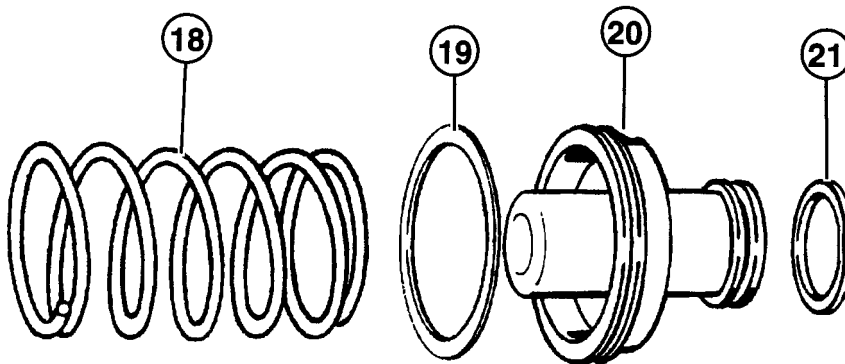
30RH-720



KICKDOWN SERVO



LOW AND REVERSE SERVO



ACCUMULATOR PISTON AND SPRING

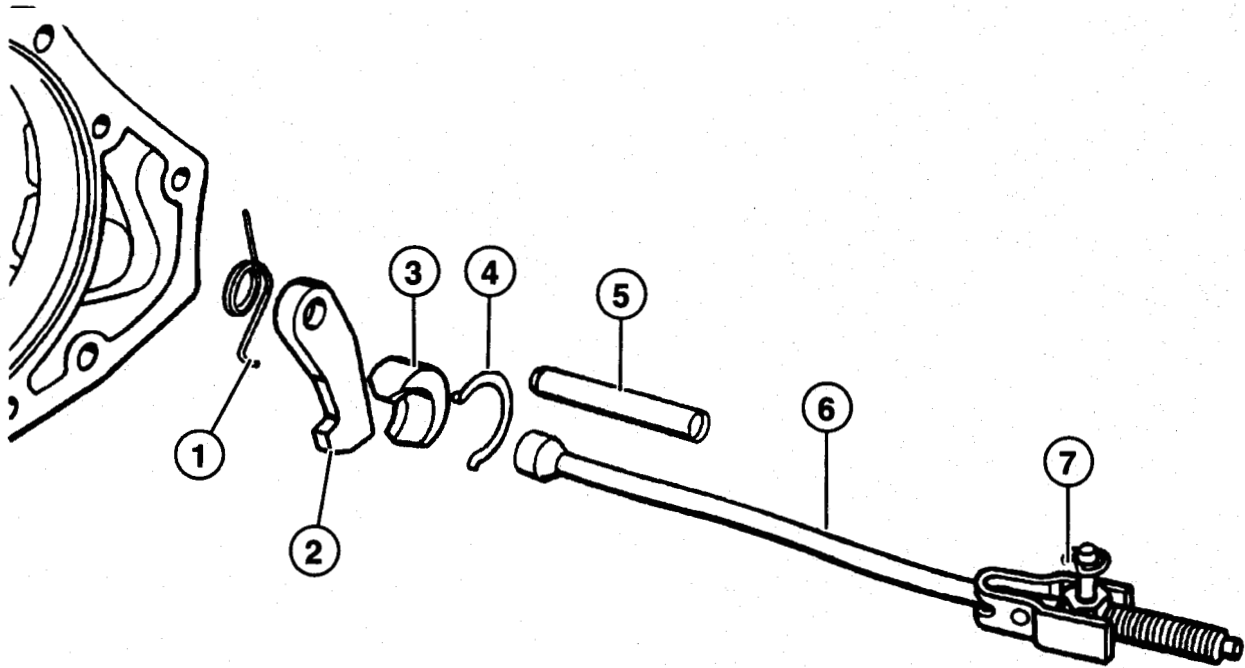
ITEM	PART	QTY	LINE	SERIES	ENGINE	TRANS	DESCRIPTION
Servos							
1998 XJ 1999 XJ							
1	1942 486	1	B, T		EPO	DGD	SNAP RING
2	3743 014	1	B, T		EPO	DGD	SEAL, Kickdown Servo
3	1942 485	1	B, T		EPO	DGD	GUIDE, Kickdown Servo
4							SPRING, Kickdown Servo Piston, (NOT SERVICED), 1999 XJ
5	6025 031	1	B, T		EPO	DGD	SNAP RING, 1.205 OD, 1999 XJ
6	4058 943	1	B, T		EPO	DGD	ROD, Kickdown Servo Piston
7	4295 965	1	B, T		EPO	DGD	SEAL, Kickdown Servo
8	4058 942	1	B, T		EPO	DGD	PISTON, Kickdown Servo
9	6031 410	1	B, T		EPO	DGD	O RING, Trans Kickdown Servo, 1999 XJ
10	2464 464	1	B, T		EPO	DGD	SNAP RING
11	2464463	1	B, T		EPO	DGD	RETAINER, Transmission Rear Clutch
12	2801 274	1	B, T		EPO	DGD	SPRING, Reverse Servo Piston
13	5211 8741	1	B, T		EPO	DGD	PLUG, Reverse Servo Piston
14	3743 580	1	B, T		EPO	DGD	SPRING, Reverse Servo Piston
15	4202 864	1	B, T		EPO	DGD	SEAL, Reverse Servo Piston
16	5211 a744	1	B, T		EPO	DGD	PISTON, Reverse Servo
17	6027 153	1	B, T		EPO	DGD	SNAP RING, .435 ID
18	4531 259	1	B, T		EPO	DGD	SPRING, Transmission Accumulator
19	3743 013	1	B, T		EPO	DGD	SEAL, Piston Accumulator
20	3743 650	1	B, T		EPO	DGD	PISTON, Accumulator
21	3743 010	1	B, T		EPO	DGD	SEAL, Piston Accumulator
22	1636 470	1	B, T		EPO	DGD	SEAL, Servo Piston, 1999 XJ

JEEP CHEROKEE (LHD) & (RHD) (XJ)

SERIES	LINE	BODY	ENGINE	TRANSMISSION
L=Low Line	J=LHD(4WD) U=RHD(4WD) B=RHD(4x2) T=LHD(4x2)	74=4 Dr. 72=2 Dr.	EN0=2.5L(ENC) Diesel ER0=4.0L(ERH) EP0=2.5L(EPE)	DG0=All Auto/Trans DGW=44RE (DGB) DDQ=5 spd. AISIN DGK=42RE (DGB) DBB=All Manual Trans. DGS=4 spd. Auto. AISIN DGD= 3 spd. Auto (DGA)

Parking Sprag
1998 XJ 1999 XJ

30RH-730



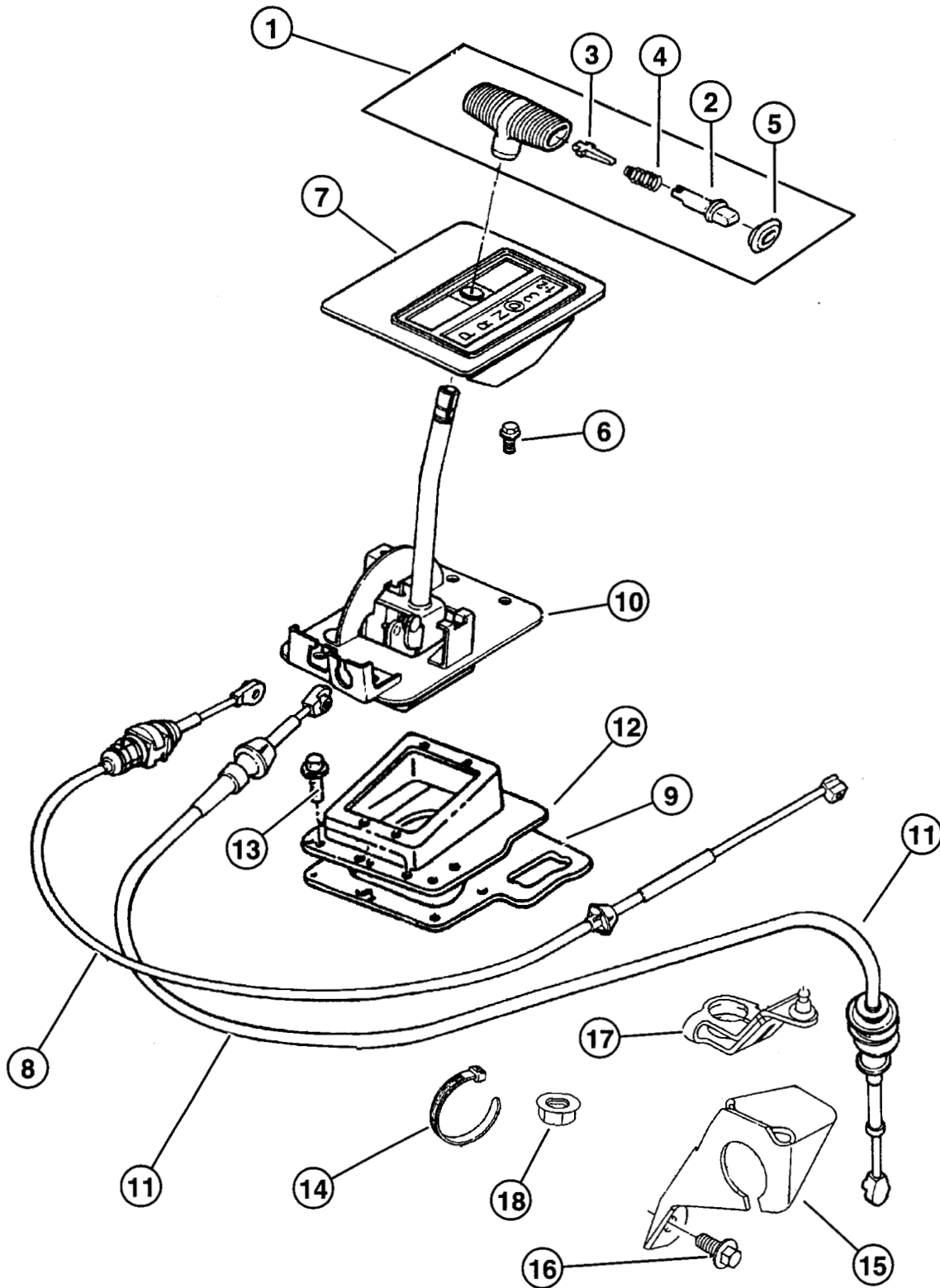
ITEM	PART	QTY	LINE	SERIES	ENGINE	TRANS	DESCRIPTION
Parking Sprag 1998 XJ 1999 XJ							
1	2466 909	1	B, T		EPO	DGD	SPRING, Parking Sprag
2	4471 415	1	B, T		EPO	DGD	SPRAG, Transmission Parking
3	2538 042	1	B, T		EPO	DGD	PLUG, Parking Sprag
4	2538 034	1	B, T		EPO	DGD	SNAP RING, Transmission
5	2466 892	1	B, T		EPO	DGD	SHAFT, Parking Sprag
6	2466 906	1	B, T		EPO	DGD	ROD, Parking Sprag
7	6035 256	1	B, T		EPO	DGD	SNAP RING, Rod

JEEP CHEROKEE (LHD) & (RHD) (XJ)

SERIES	LINE	BODY	ENGINE	TRANSMISSION
L=Low Line	J=LHD(4WD) U=RHD(4WD) B=RHD(4x2) T=LHD(4x2)	74=4 Dr. 72=2 Dr.	EN0=2.5L(ENC) Diesel ER0=4.0L(ERH) EP0=2.5L(EPE)	DG0=All Auto/Trans DGW=44RE (DGB) DDQ=5 spd. AISIN DGK=42RE (DGB) DBB=All Manual Trans. DGS=4 spd. Auto. AISIN DGD = 3 spd. Auto (DGA)

Controls
1998 XJ 1999 XJ

30RH-1210



ITEM	PAR	TY	LIN	SERI	DESC	IPTI
Controls 1998 XJ 1999 XJ						
1	5210 4028		1	EPO, ERO	DGO	HANDLE, Gearshift
2	5300 0211		1	EPO, ERO	DGO	BUTTON, Gearshift Knob
3	5300 0865		1	EPO, ERO	DGO	LEVER, Gearshift, 1999 XJ
4	5300 0866		1	EPO, ERO	DGO	SPRING, Button Return
5	5207 7561		1	EPO, ERO	DGO	CAP, Gearshift Handle Button
6						SCREW, Hex Head, M8x1.25x18, (NOT SERVICED), 1999 XJ
7						BEZEL, Console PRNDL
	5GC35 LAZAB		1	J, T	DGD	1999 XJ
	5GC36 LAZAB		1	B, U	DGD	1999 XJ
8						CABLE, Park Interlock
	5210 4144		1	J, T	EPO, ERO DGO	1999 XJ
	52104 144AB		1	B, U	EPO, ERO DGO	1999 XJ
9						SEAL, Shift Housing, (NOT SERVICED), 1999 XJ
10						HOUSING, Shift Lever
	52104 005AB		1	J, T	DGO	1999 XJ
	52104 007AB		1	B, U	DGO	1999 XJ
11	5207 7532		1		DGO	CABLE, Gearshift Control, 1999 XJ
12	5300 0704		1		DGO	COVER, Gearshift, 1999 XJ
13	J400 1701		AR			SCREW, Hex Self Tapping, .19-16x.50, 1999 XJ
14	4641 780		1	EPO, ERO	DGO	STRAP, Tie, 1999 XJ
15	5300 7746		1	ERO	DGS	BRACKET, Transmission Control Cable, 1999 XJ
16	11502850		2	ERO	DGS	BOLT, Hex Flange Head, M8x1.25x20, SCREW, .312-18x.750 (DNS), 1999 XJ
17	3681 227		1	B, T	EPO DGD	LEVER, Throttle Valve, 1999 XJ
18	J400 4005		1	EPO	DGD	NUT, Hex, .437-14, 1999 XJ

JEEP CHEROKEE (LHD) & (RHD) (XJ)

SERIES	LINE	BODY	ENGINE	TRANSMISSION
L=Low Line	J=LHD(4WD) U=RHD(4WD) B=RHD(4x2) T=LHD(4x2)	74=4 Dr. 72=2 Dr.	EN0=2.5L(ENC) Diesel ER0=4.0L(ERH) EP0=2.5L(EPE)	DG0=All Auto/Trans DGW=44RE (DGB) DDQ=5 spd. AISIN DGK=42RE (DGB) DBB=All Manual Trans. DGS=4 spd. Auto. AISIN DGD = 3 spd. Auto (DGA)

ITEM	PART	QTY	LINE	SERIES	ENGINE	TRANS	DESCRIPTION
------	------	-----	------	--------	--------	-------	-------------

Controls
1998 XJ 1999 XJ

JEEP CHEROKEE (LHD) & (RHD) (XJ)

SERIES	LINE	BODY	ENGINE	TRANSMISSION
L=Low Line	J=LHD(4WD) U=RHD(4WD) B=RHD(4x2) T=LHD(4x2)	74=4 Dr. 72=2 Dr.	EN0=2.5L(ENC) Diesel ER0=4.0L(ERH) EP0=2.5L(EPE)	DG0=All Auto/Trans DGW=44RE (DGB) DDQ=5 spd. AISIN DGK=42RE (DGB) DBB=All Manual Trans. DGS=4 spd. Auto. AISIN DGD= 3 spd. Auto (DGA)