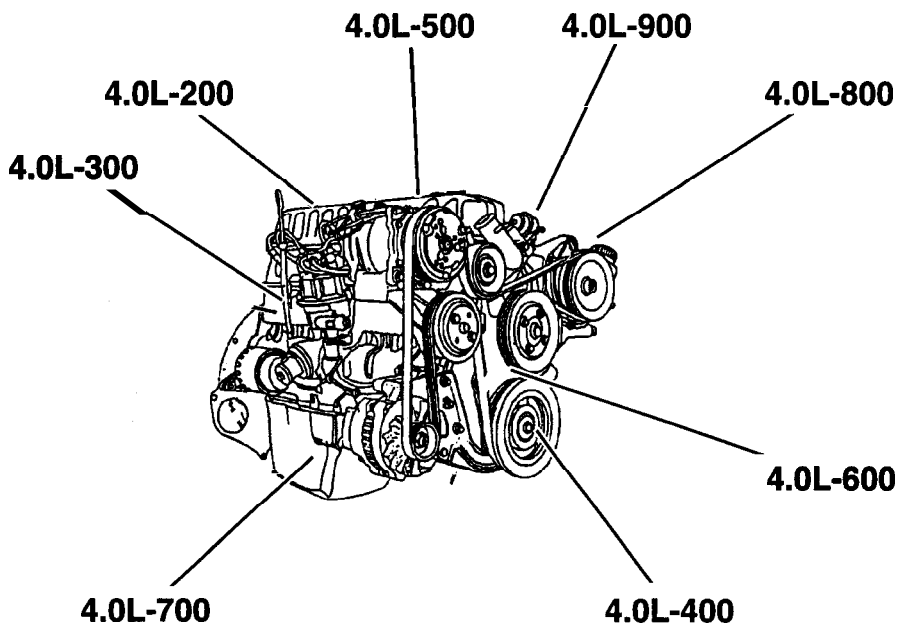
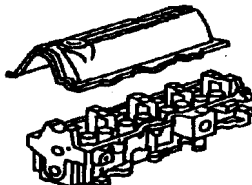
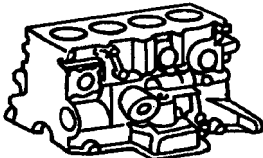
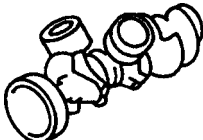
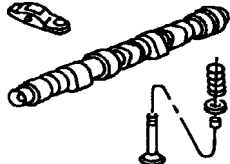
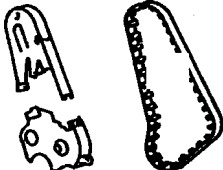
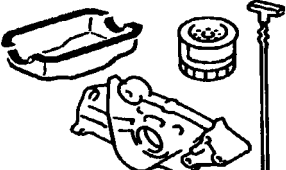
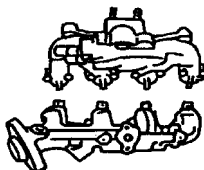
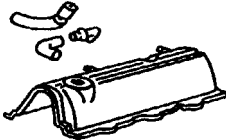


Group - 4.0L

4.0L Six Cylinder Engine



<p>4.0L-200 Cylinder Head</p> 	<p>4.0L-300 Cylinder Block</p> 	<p>4.0L-400 Crankshaft, Piston and Torque Converter</p> 	<p>4.0L-500 Camshafts & Valves</p> 
<p>4.0L-600 Timing Belt and Cover</p> 	<p>4.0L-700 Engine Oiling</p> 	<p>4.0L-800 Manifolds</p> 	<p>4.0L-900 Crankcase Ventilation</p> 

Group - 4.0L

4.0L Six Cvlinder Engine

--	--	--	--

Group 4.0L - 4.0L Six Cylinder Engine

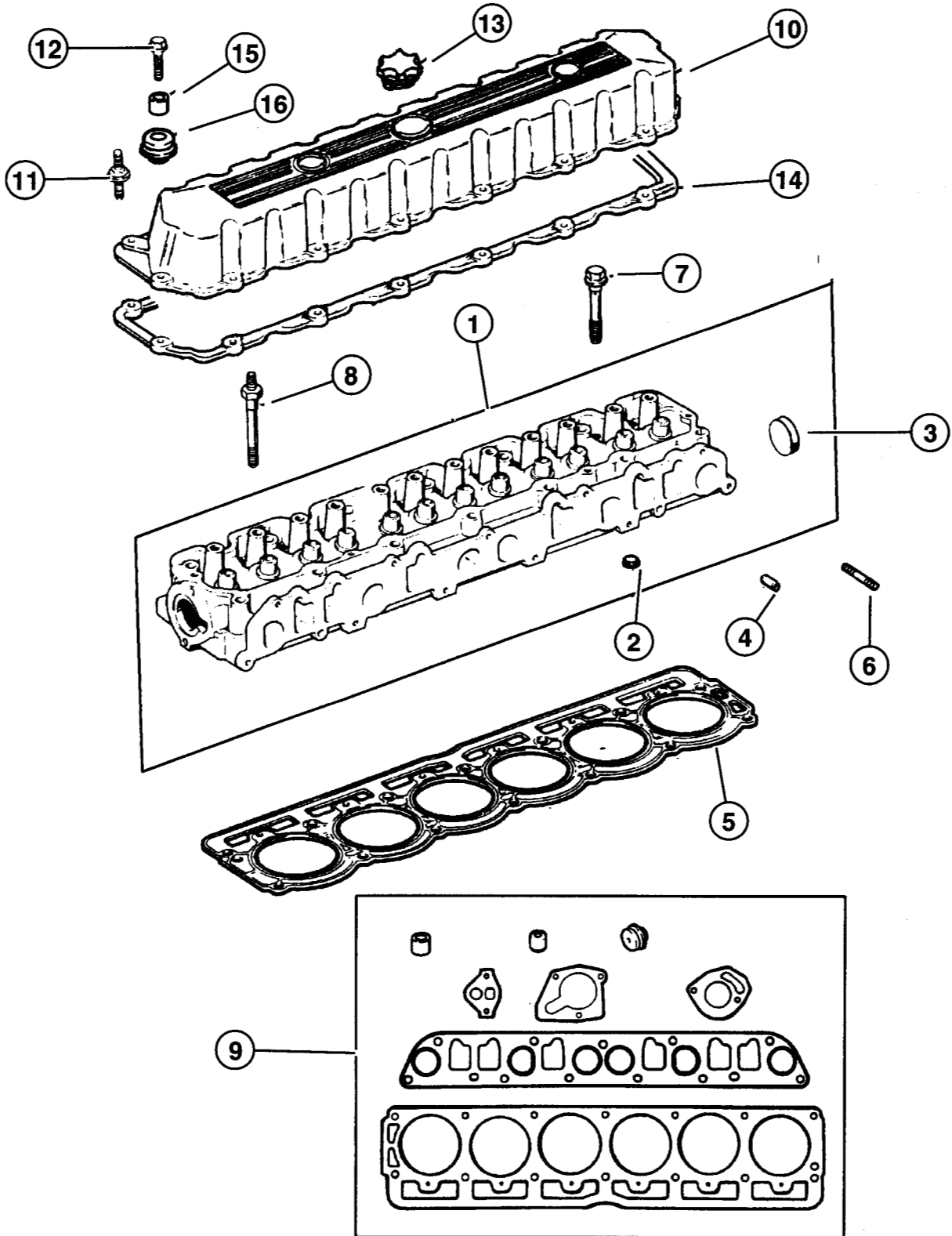
Cylinder Head	4.0L 200
Cylinder HeadFig. 4.0L-210
Cylinder Block	4.0L 300
Cylinder BlockFig. 4.0L-310
Crankshaft, Piston and Torque Converter	4.0L 400
Crankshaft, Piston and Torque ConverterFig. 4.0L-410
Camshafts & Valves	4.0L 500
Camshaft and ValvesFig. 4.0L-510
Timing Belt and Cover	4.0L 600
Timing Cover	Fig. 4.0L-610
Engine Oiling	4.0L 700
Engine OilingFig. 4.0L-710
Manifolds	4.0L 800
Manifold, Intake and ExhaustFig. 4.0L-810
Crankcase Ventilation	4.0L 900
Crankcase VentilationFig. 4.0L-910

JEEP CHEROKEE (LHD) & (RHD) (XJ)

SERIES	LINE	BODY	ENGINE	TRANSMISSION
L=Low Line	J=LHD(4WD) U=RHD(4WD) B=RHD(4x2) T=LHD(4x2)	74=4 Dr. 72=2 Dr.	EN0=2.5L(ENC) Diesel ER0=4.0L(ERH) EP0=2.5L(EPE)	DG0=All Auto/Trans DGW=44RE (DGB) DDQ=5 spd. AISIN DGK=42RE (DGB) DBB=All Manual Trans. DGS=4 spd. Auto. AISIN DGD = 3 spd. Auto (DGA)

Cylinder Head

4.0L-210



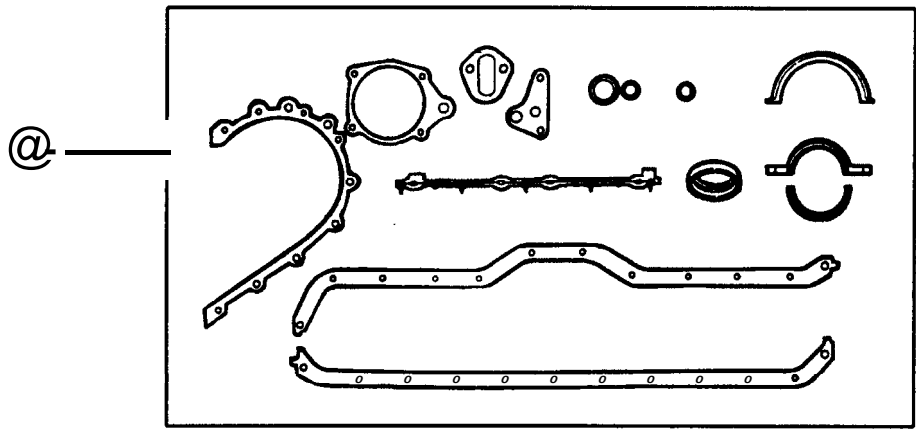
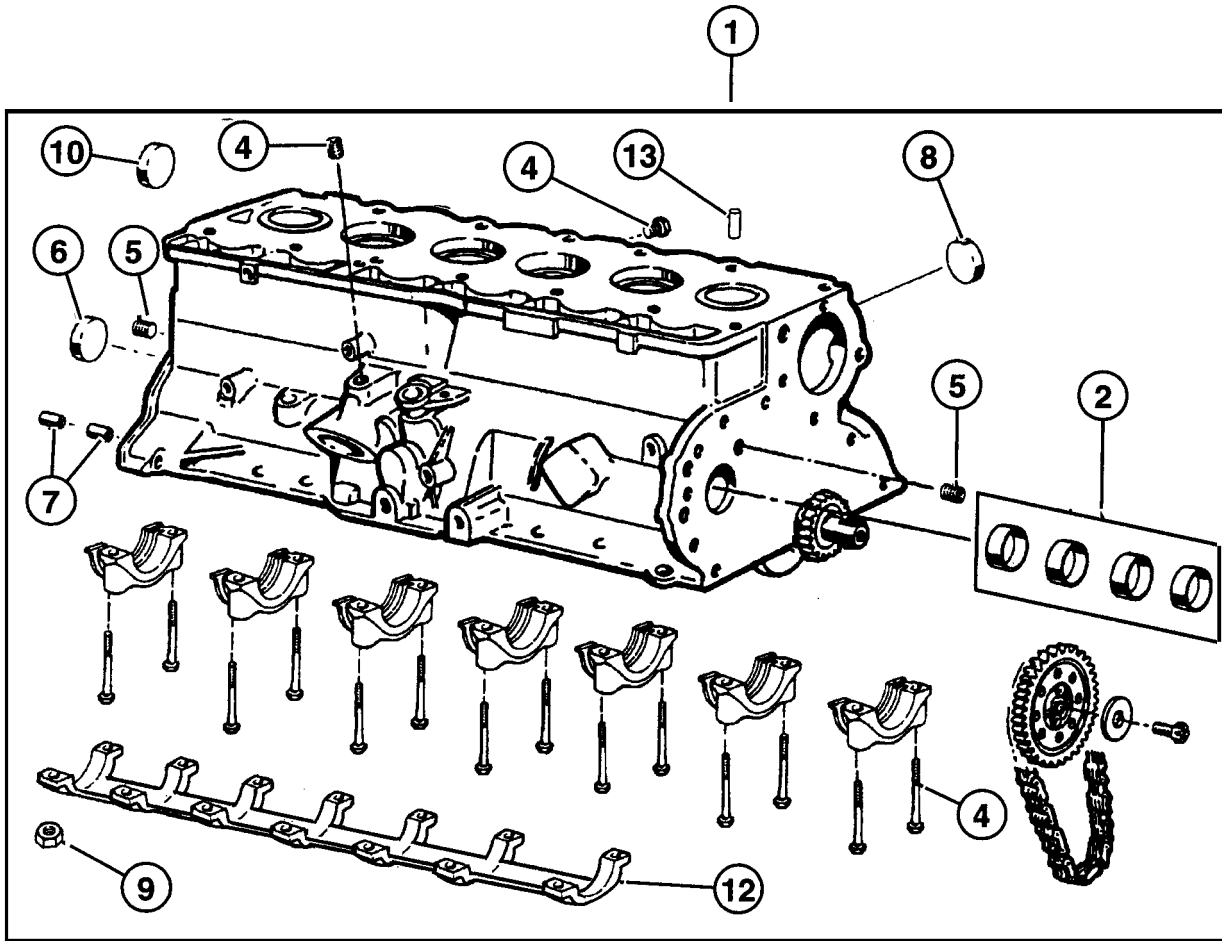
ITEM	PART	QTY	LINE	ENGINE	TRANS	DESCRIPTION
Cylinder Head						
1						HEAD, Cylinder
	5302 0622	1		ERO		1997 XJ
	53020 622AC	1		ERO		1998 XJ
	#53020 622AB	1		ERO		1999 XJ
2	J400 7434	4		ERO		PLUG, Cylinder Block Oil Hole
3						PLUG, Cylinder Block Oil Hole
	J310 5394	1		EPO		1997 XJ
	J310 5394	1		ERO		1998 XJ, 1999 XJ
4	J317 2318	2		EPO, ERO		DOWEL, Cylinder Head To Intake
5						GASKET, Cylinder Head
	5302 0754	1		ERO		1997 XJ, 1998 XJ
	53020 754AB	1		ERO		1999 XJ
6	5301 0165	2		EPO, ERO		STUD, .375-16/.375-24x1.75
7						BOLT, Cylinder Head
	6035 514	5		ERO		w/o Dome
	6035 515	2		ERO		w/Dome
8						STUD, Double Ended, .50-13/.437-14x6.00
	6035 516	6		ERO		1999 XJ
	6035 516	7		ERO		1997 XJ, 1998 XJ
9						GASKET PACKAGE, Engine
	4636 982	1		ERO	DBB	1997 XJ
	4636 982AB	1		ERO		1998 XJ
	#5012 365AA	1		ERO		1999 XJ
10	5302 0323	1		ERO		COVER, Cylinder Head
11	6035 968AA	7		ERO		STUD, .250-20x2.00
12	6035 566	8		ERO		BOLT, Hex Flange Head, .250-20x1.00
13	4777 536	1		ERO		CAP, Oil Filler
14						GASKET, Valve Cover
	5302 0758	1		ERO		1997 XJ
	53020 758AB	1		ERO		1998 XJ
	53020 758AC	1		ERO		1999 XJ
15						SLEEVE, Torque Limiter
	5302 0598	15		ERO		1997 XJ, 1998 XJ
	53020 598AB	15		ERO		1999 XJ
16	5301 0424	15		ERO		GROMMET, Insulator

JEEP CHEROKEE (LHD) & (RHD) (XJ)

SERIES	LINE	BODY	ENGINE	TRANSMISSION
L=Low Line	J=LHD(4WD) U=RHD(4WD) B=RHD(4x2) T=LHD(4x2)	74=4 Dr. 72=2 Dr.	EN0=2.5L(ENC) Diesel ER0=4.0L(ERH) EP0=2.5L(EPE)	DG0=All Auto/Trans DGW=44RE (DGB) DDQ=5 spd. AISIN DGK=42RE (DGB) DBB=All Manual Trans. DGS=4 spd. Auto. AISIN DGD= 3 spd. Auto (DGA)

Cylinder Block

4.0L-310



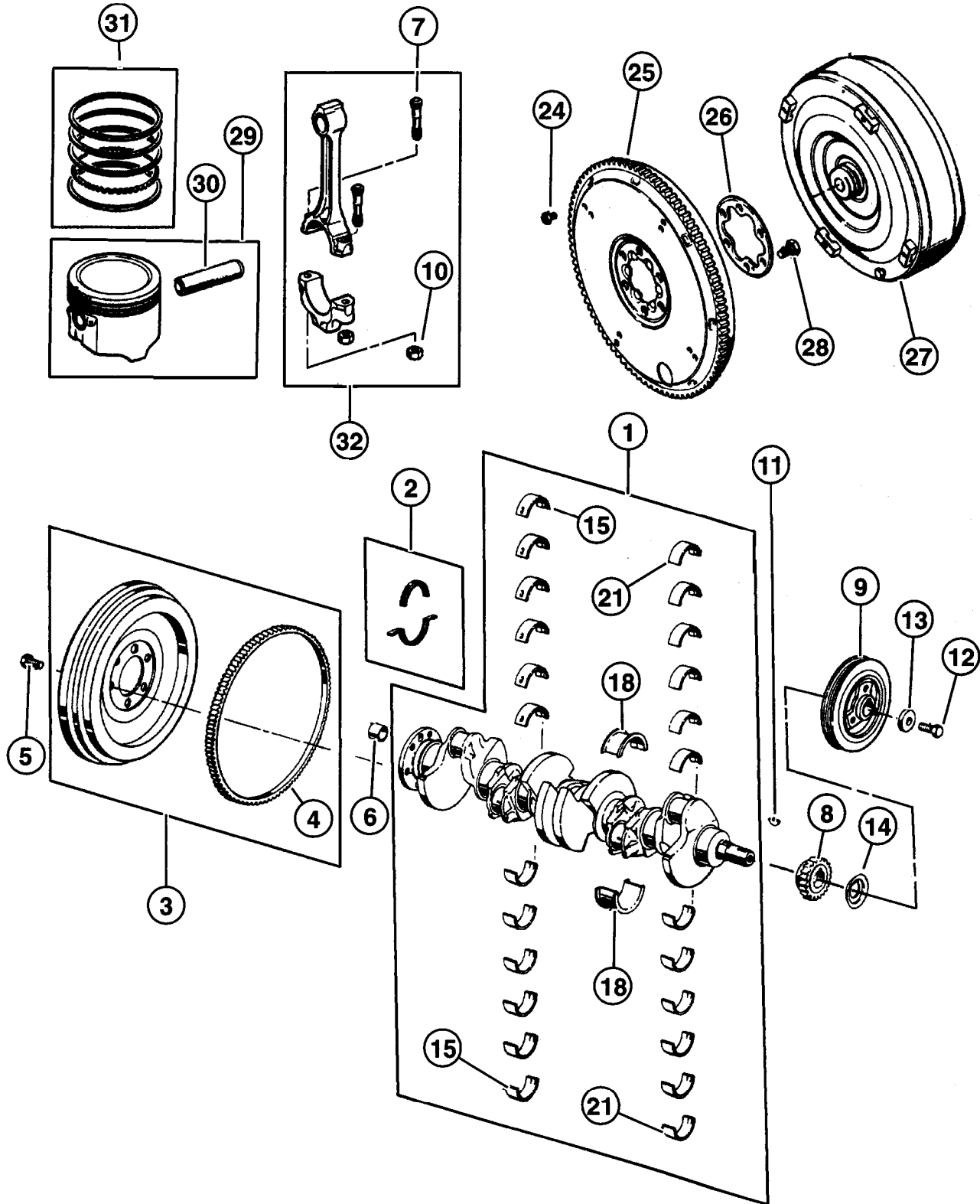
ITEM	PART	QTY	LINE	ENGINE	TRANS	DESCRIPTION
Cylinder Block						
1						BLOCK, Short
	4883 025	1		ERO		1997 XJ, 1998 XJ
	#5013 116AA	1		ERO	DBB	1999 XJ
	#5013 116AA	1		ERO	DGO	1999 XJ
2	J320 5711	1		ERO		BEARING KIT, Camshaft, Standard
-3						BEARING KIT, Camshaft, .010 Oversize (NOT REQUIRED), 1999 XJ
	J320 8985	1		ERO		1997 XJ, 1998 XJ
4	6035 207	14		ERO		STUD, .500-13/3.75-16x3.97
5						PLUG, Cylinder Block Oil Hole
	6034 166	4		ERO		1997 XJ
	6034 166	3		ERO		1998 XJ 1999 XJ
6	J317 2313	1		EP0		PLUG, Camshaft
7	J400 5148	2		ERO		DOWEL, Transmission
8	J310 5394	6		ERO		PLUG, Cylinder Block Oil Hole
9	0152 474	14		ERO		NUT, Hex Flange Lock, .375-16
10	5302 0465	1		EP0		PLUG, Cylinder Block
11						GASKET PACKAGE, Engine
	4740 008	1		ERO	DBB	1997 XJ
	4740 008AB	1		EP0		1998 XJ
	4740 008AC	1		ERO	DBB	1999 XJ
	4740 008AC	1		ERO	DGO	1999 XJ
12	5302 0566	1		ERO		BRACE, Main Bearing Cap
13	0141 215	2		ERO		DOWEL, .312 x .500

JEEP CHEROKEE (LHD) & (RHD) (XJ)

SERIES	LINE	BODY	ENGINE	TRANSMISSION
L=Low Line	J=LHD(4WD) U=RHD(4WD) B=RHD(4x2) T=LHD(4x2)	74=4 Dr. 72=2 Dr.	EN0=2.5L(ENC) Diesel ER0=4.0L(ERH) EP0=2.5L(EPE)	DG0=All Auto/Trans DGW=44RE (DGB) DDQ=5 spd. AISIN DGK=42RE (DGB) DBB=All Manual Trans. DGS=4 spd. Auto. AISIN DGD= 3 spd. Auto (DGA)

Crankshaft, Piston and Torque Converter

4.0L-410



ITEM	PART	QTY	LINE	ENGINE	TRANS	DESCRIPTION
Crankshaft, Piston and Torque Converter						
1						CRANKSHAFT
	4864 726	1		ERO	DBB	
	4864 726	1		ERO	DGO	1998 XJ, 1999 XJ
2	4778 126	1		ERO		SEAL PACKAGE Crankshaft
3	5302 0519	1		ERO	DBB	FLYWHEEL
4	J317 9741	1		ERO	DBB	GEAR, Ring
5	J317 0524	6		ERO	DBB	BOLT, Flywheel
6						BEARING, Pilot
	5300 9180	1		ERO	DBB	Sleeve and Bearing
	5300 9181	1		ERO	DBB	Bearing
7	5302 0123	12		ERO		BOLT, Connecting Rod
8	5302 0443	1		ERO		GEAR, Crankshaft
9	3300 2920	1		ERO		DAMPER, Crankshaft
10	J400 6385	12		ERO		NUT, Hex Flange, .3437-24
11	6034 749	1		EPO, ERO		KEY, Crankshaft Sprocket
12						BOLT
	0182 776	1		EPO, ERO		1999 XJ
	6029 736	1		EPO, ERO		1997 XJ, 1998 XJ
13	J323 0155	1		EPO, ERO		WASHER, Plain
14	J317 3076	1		EPO, ERO		SLINGER, Oil
15	8350 7079	6		ERO		BEARING PACKAGE, Crankshaft, Standard
-16	8350 7080	AR		EPO, ERO		BEARING PACKAGE, Crankshaft, .001 Undersize
-17	8350 7083	AR		EPO, ERO		BEARING PACKAGE, Crankshaft, .010 Undersize
18						BEARING PACKAGE, Crankshaft Thrust, Standard Size
	8350 7084	1		EPO, ERO		1999 XJ
	8350 7084	1		EPO, ERO		Standard, 1997 XJ, 1998 XJ
-19	8350 7086	AR		EPO, ERO		BEARING PACKAGE, Crankshaft Thrust, .001" Undersize
-20	8350 7090	AR		EPO, ERO		BEARING PACKAGE, Crankshaft Thrust, .010" Undersize
21	8350 0300	8		EPO		BEARING KIT, Connecting Rod, Standard
-22	8350 1397	AR		EPO, ERO		BEARING KIT, Connecting Rod, .001 Undersize
-23	8350 0301	AR		EPO, ERO		BEARING KIT, Connecting Rod, .010 Undersize
24	3420 2497	4		ERO	DGO	BOLT, Hex Head, M10x1.50x14
25	5211 8551	1		ERO	DGO	PLATE, Drive Plate
26	J321 4094	1		ERO	DGO	PLATE, Drive Plate Backing
27						CONVERTER, Torque
	5300 3431	1	B	ERO	DGS	1997 XJ
	5300 3431	1	B, T	ERO	DGS	1998 XJ, 1999 XJ
	5300 3431	1	J, U	ERO	DGS	1998 XJ, 1999 XJ
28	J315 1407	6		ERO	DGO	BOLT, Hex Head, .50-20x.56
29						PISTON PIN AND ROD
	4798 329	AR		EPO		B Size, 3.8742, 1997 XJ
	4798 329	6		ERO		B Size, 3.8742, 1998 XJ, 1999 XJ
	4798 330	AR		EPO		C Size, 3.8746, 1997 XJ
	4798 330	6		ERO		C Size, 3.8746, 1998 XJ, 1999 XJ
	4798 331	AR		EPO		D Size, 3.8750, 1997 XJ
	4798 331	6		ERO		D Size, 3.8750, 1998 XJ, 1999 XJ
	4798 332	AR		EPO		E Size, 3.8754, 1997 XJ
	4798 332	6		ERO		E Size, 3.8754, 1998 XJ, 1999 XJ
	4798 333	AR		EPO		F Size, 3.8758, 1997 XJ
	4798 333	6		ERO		F Size, 3.8758; 1998 XJ, 1999 XJ
30						PIN, Piston, Serviced in Piston Assembly, (NOT SERVICED)

JEEP CHEROKEE (LHD) & (RHD) (XJ)

SERIES	LINE	BODY	ENGINE	TRANSMISSION
L=Low Line	J=LHD(4WD) U=RHD(4WD) B=RHD(4x2) T=LHD(4x2)	74=4 Dr. 72=2 Dr.	EN0=2.5L(ENC) Diesel ER0=4.0L(ERH) EP0=2.5L(EPE)	DG0=All Auto/Trans DGW=44RE (DGB) DDQ=5 spd. AISIN DGK=42RE (DGB) DBB=All Manual Trans. DGS=4 spd. Auto. AISIN DGD=3 spd. Auto (DGA)

ITEM	PART	QTY	LINE	ENGINE	TRANS	DESCRIPTION
Crankshaft, Piston and Torque Converter						
31						RING PACKAGE, Piston, Standard Size Complete Engine
	4798 878	1		ER0	DBB	1997 XJ
	4798 878	6		ERO		1998 XJ, 1999 XJ
32						ROD, Connecting, Serviced in Piston Assembly, (NOT SERVICED)

JEEP CHEROKEE (LHD) & (RHD) (XJ)

SERIES	LINE	BODY	ENGINE	TRANSMISSION
L=Low Line	J=LHD(4WD) U=RHD(4WD) B=RHD(4x2) T=LHD(4x2)	74=4 Dr. 72=2 Dr.	EN0=2.5L(ENC) Diesel ER0=4.0L(ERH) EP0=2.5L(EPE)	DG0=All Auto/Trans DGW=44RE (DGB) DDQ=5 spd. AISIN DGK=42RE (DGB) DBB=All Manual Trans. DGS=4 spd. Auto. AISIN DGD = 3 spd. Auto (DGA)

ITEM	PART	QTY	LINE	ENGINE	TRANS	DESCRIPTION
------	------	-----	------	--------	-------	-------------

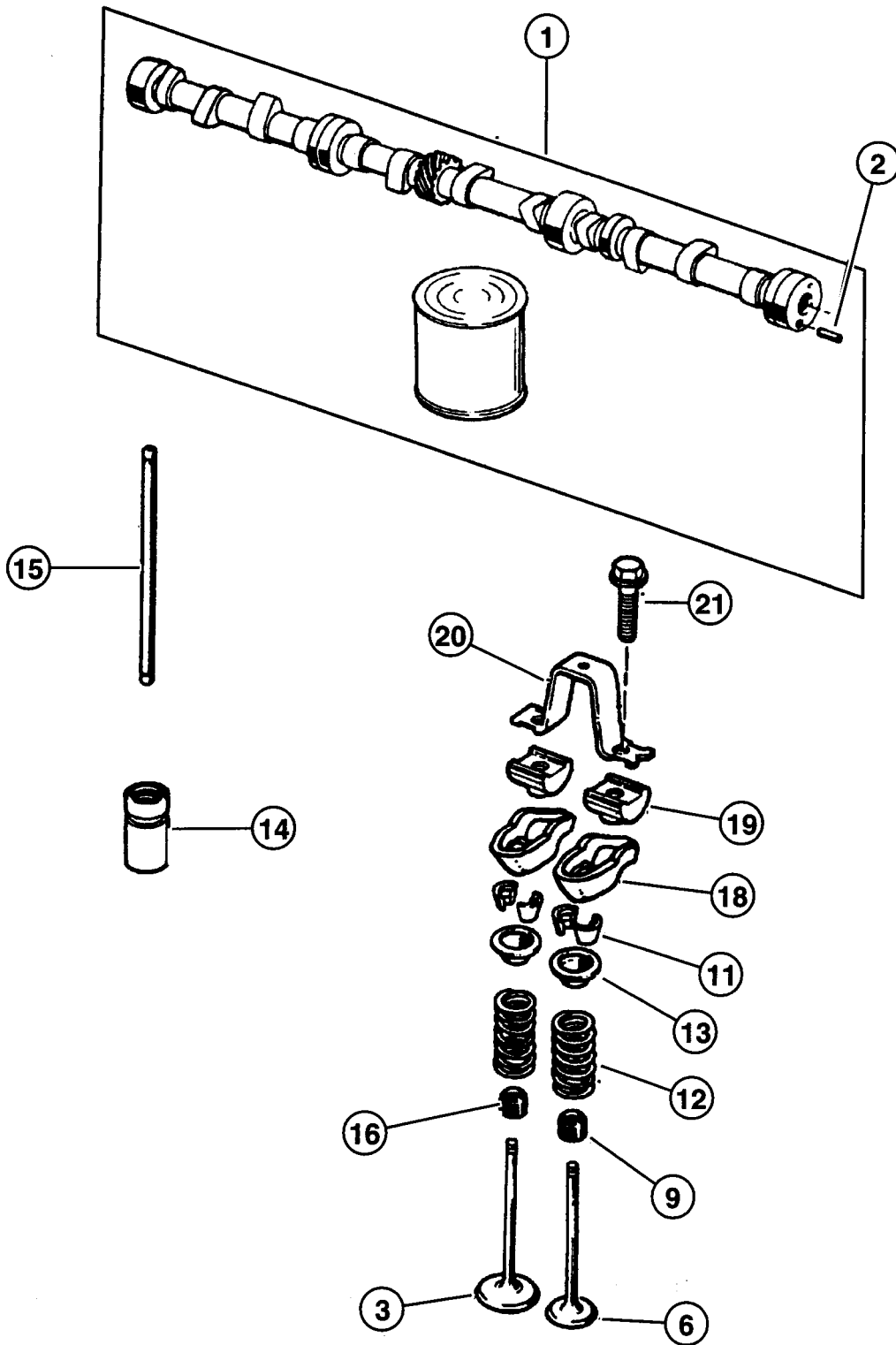
Crankshaft, Piston and Torque Converter

JEEP CHEROKEE (LHD) & (RHD) (XJ)

SERIES	LINE	BODY	ENGINE	TRANSMISSION
L=Low Line	J=LHD(4WD) U=RHD(4WD) B=RHD(4x2) T=LHD(4x2)	74=4 Dr. 72=2 Dr.	EN0=2.5L(ENC) Diesel ER0=4.0L(ERH) EP0=2.5L(EPE)	DG0=All Auto/Trans DGW=44RE (DGB) DDQ=5 spd.AISIN DGK=42RE (DGB) DBB=All Manual Trans. DGS=4 spd. Auto. AISIN DGD = 3 spd. Auto (DGA)

Camshaft and Valves

4.0L-510



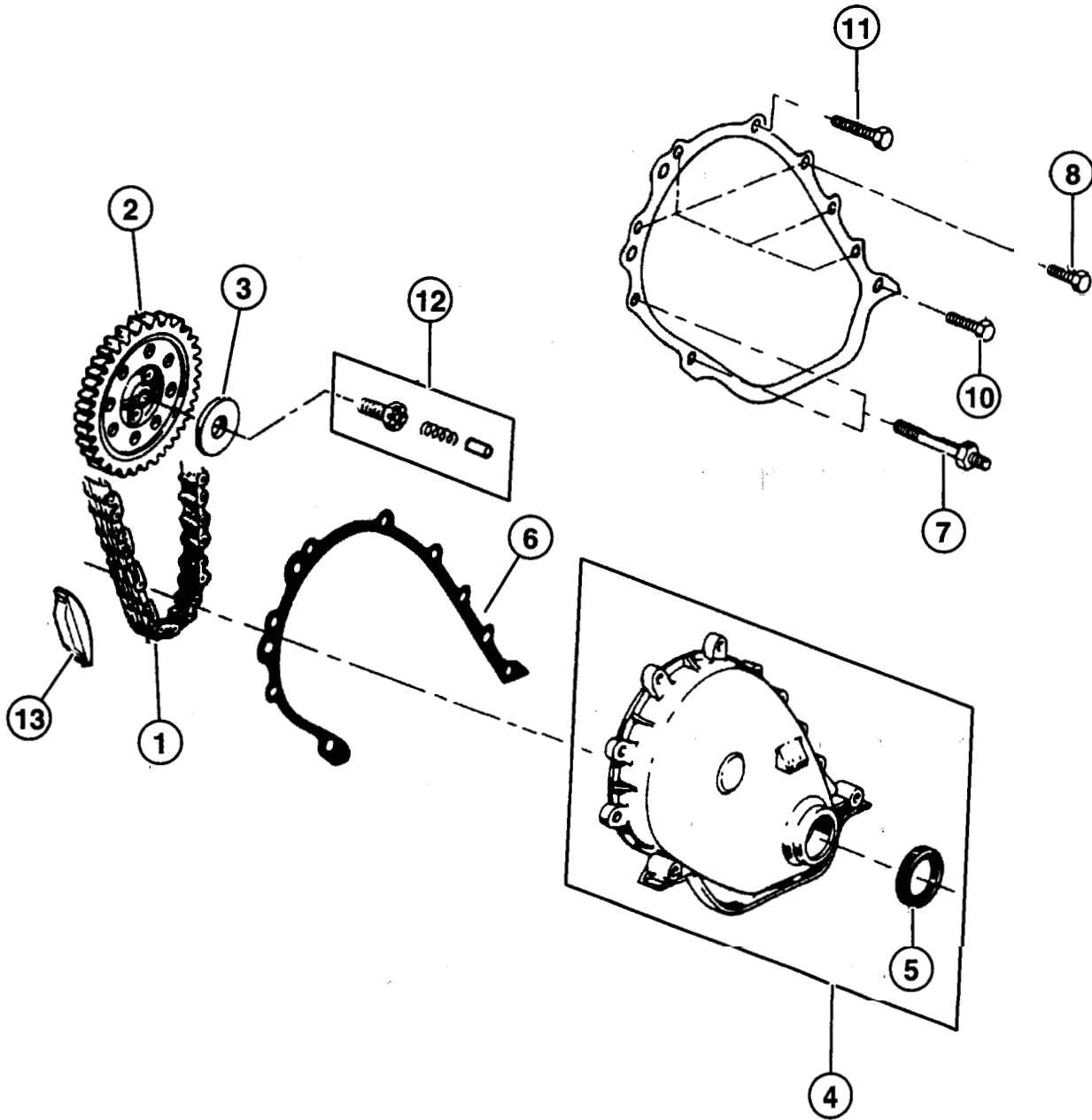
ITEM	PART	QTY	LINE	ENGINE	TRANS	DESCRIPTION
Camshaft and Valves						
1						CAMSHAFT
	5302 0438	1		ERO		1997 XJ, 1998 XJ
	#53010 448AA	1		ERO		1999 XJ
2						DOWEL, Camshaft Sprocket
						(NOT REQUIRED), 1999 XJ
	J045 6384	1		EPO		1997 XJ, 1998 XJ
3						VALVE, Intake, Standard
	3300 3515	6		ERO		1999 XJ
	3300 3515	6		ERO		Standard, 1997 XJ, 1998 XJ
-4						VALVE, Intake, .003" O/S
						(NOT REQUIRED), 1999 XJ
	3300 3519	AR		EPO, ERO		1997 XJ, 1998 XJ
-5						VALVE, Intake, .015" O/S
						(NOT REQUIRED), 1999 XJ
	3300 3575	AR		EPO, ERO		1997 XJ, 1998 XJ
6						VALVE, Exhaust, Standard
	4637 537	6		ERO		1999 XJ
	4637 537	6		ERO		Standard, 1997 XJ, 1998 XJ
-7						VALVE, Exhaust, .003" O/S
						(NOT REQUIRED), 1999 XJ
	4637 538	AR		EPO, ERO		1997 XJ, 1998 XJ
-8						VALVE, Exhaust, .015 Oversize
						(NOT REQUIRED), 1999 XJ
	4637 539	AR		EPO, ERO		1997 XJ, 1998 XJ
9						SEAL, Valve Guide
	5300 9886	6		ERO		Standard, 1997 XJ, 1999 XJ
	5300 9887	6		ERO		Standard, 1998 XJ
-10						SEAL, Valve Guide, .015" Oversize
						(NOT REQUIRED), 1999 XJ
	3300 2733	AR		EPO, ERO		.015 O/S, 1997 XJ, 1998 XJ
11	3300 3521	24		ERO		LOCK, Valve Spring Retainer
12						SPRING, Valve
	5301 0388	12		ERO		1999 XJ
	5302 0556	12		ERO		1997 XJ, 1998 XJ
13						RETAINER, Valve Spring
	3300 4626	12		ERO		1997 XJ, 1998 XJ
	53010 514AA	12		ERO		1999 XJ
14	4740 269	12		ERO		TAPPET, Valve
15	3300 2986	12		ERO		PUSH ROD, Valve
16	5300 9886	6		ERO		SEAL, Valve Guide
-17	3300 3016	AR		EPO, ERO		SEAL, Valve Guide, .015" Oversize
18						ROCKER ARM, Valve
	4778 743	12		ERO		1997 XJ
	J324 2393	12		ERO		1998 XJ, 1999 XJ
19	J323 5090	12		ERO		PIVOT, Rocker Arm
20	J323 6513	6		ERO		BRIDGE, Rocker Arm
21	J942 5708	12		ERO		BOLT, Hex Flange Head, .312-18x1.25

JEEP CHEROKEE (LHD) & (RHD) (XJ)

SERIES	LINE	BODY	ENGINE	TRANSMISSION
L=Low Line	J=LHD(4WD) U=RHD(4WD) B=RHD(4x2) T=LHD(4x2)	74=4 Dr. 72=2 Dr.	EN0=2.5L(ENC) Diesel ER0=4.0L(ERH) EP0=2.5L(EPE)	DG0=All Auto/Trans DGW=44RE (DGB) DDQ=5 spd. AISIN DGK=42RE (DGB) DBB=All Manual Trans. DGS=4 spd. Auto. AISIN DGD= 3 spd. Auto (DGA)

Timing Cover

4.0L-610



**1997-99 JEEP CHEROKEE (XJ)
PARTS CATALOG**

Figure 4.0L-610
Page 4.0L-15

4.0L Six Cylinder Engine

ITEM	PART	QTY	LINE	ENGINE	TRANS	DESCRIPTION
Timing Cover						
1	5302 0444	1		ERO		CHAIN, Timing
2						SPROCKET, Camshaft
	5302 0445	1		ERO		1997 XJ, 1998 XJ
	#5301 0400	1		ERO		1999 XJ
3						WASHER, Flat, .206 Diameter (NOT REQUIRED), 1999 XJ
	J317 3284	1		EPO, ERO		1997 XJ, 1998 XJ
4	5302 0222	1		EPO, ERO		COVER, Timing Belt
5	3300 4681	1		EPO, ERO		SEAL, Front Main Crankshaft
6	5302 0487	1		EPO, ERO		GASKET, Front Cover
7						STUD
	6035 744	1		ERO		1997 XJ 1998 XJ
	#6035 921AA	1		ERO		1999 XJ
8						BOLT, Hex
	J400 6906	5		EPO, ERO		1997 XJ, 1998 XJ
	#6035 893	5		EPO, ERO		1999 XJ
-9						SCREW (NOT REQUIRED), 1999 XJ
	6034 604	2		EPO		1997 XJ
	6034 604	2		ERO		1998 XJ
10						SCREW
	6034 914	1		EPO, ERO		1997 XJ, 1998 XJ
	#6035 895	1		EPO, ERO		1999 XJ
11						SCREW
	6034 604	1		ERO		1998 XJ
	6034 604	2		EPO		1997 XJ
	#6035 894	1		ERO		1999 XJ
12						SCREW AND WASHER Hex
	8350 2890	1		ERO		1997 XJ, 1998 XJ
	#6024 030	1		ERO		1999 XJ
13	3300 3446	1		EPO, ERO		SNUBBER, Timing Chain

JEEP CHEROKEE (LHD) & (RHD) (XJ)

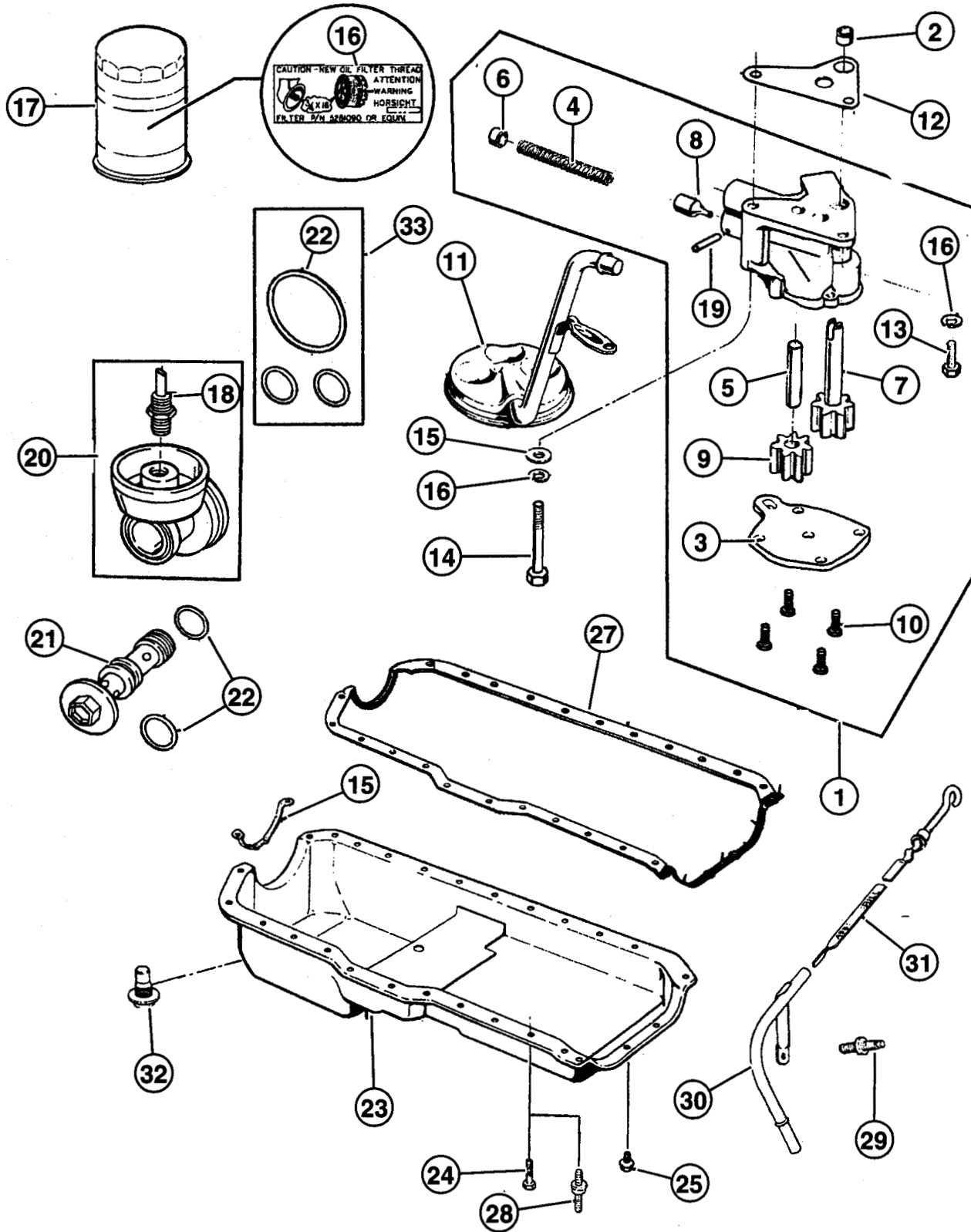
SERIES	LINE	BODY	ENGINE	TRANSMISSION
L=Low Line	J=LHD(4WD) U=RHD(4WD) B=RHD(4x2) T=LHD(4x2)	74=4 Dr. 72=2 Dr.	EN0=2.5L(ENC) Diesel ER0=4.0L(ERH) EP0=2.5L(EPE)	DG0=All Auto/Trans DGW=44RE (DGB) DDQ=5 spd. AISIN DGK=42RE (DGB) DBB=All Manual Trans. DGS=4 spd. Auto. AISIN DGD= 3 spd. Auto (DGA)

AR = Use as Required; - = Non-Illustrated Part; # = New This Model Year

June 1998

Engine Oiling

4.0L-710



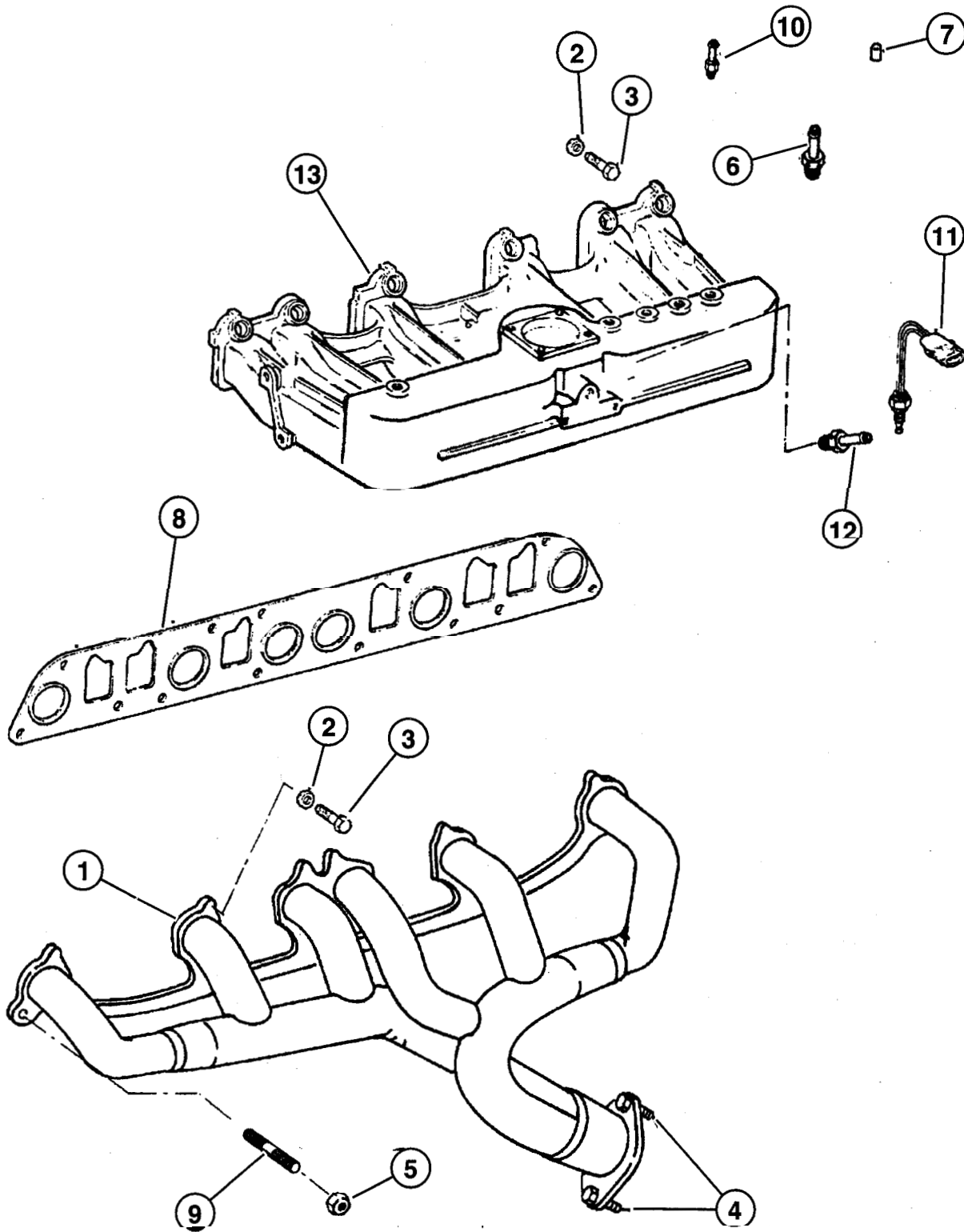
ITEM	PART	QTY	LINE	ENGINE	TRANS	DESCRIPTION
Engine Oiling						
1	J324 1399	1		ERO		PUMP, Engine Oil
2	J400 5149	1		EPO, ERO		DOWEL, Oil Pump
3	J324 1733	1		ERO		COVER, Engine Oil Pump
	J323 9668	1		ERO		SPRING, Oil Pressure Relief Valve
5	J317 1956	1		ERO		SHAFT, Oil Pump
6	J317 1958	1		ERO		RETAINER, Oil Release Valve
7	J317 2334	1		ERO		GEAR, Oil Pump
8	J318 8661	1		ERO		PLUNGER, Oil Pressure Relief Valve
9	J319 6843	1		ERO		GEAR, Oil Pump Driven
10	J941 6852	4		ERO		SCREW, Hex Flange Head, .25-20x.50, 1997 XJ, 1998 XJ
11	3300 2696	1		ERO		TUBE, Oil Pump Inlet
12	J317 2332	1		EPO, ERO		GASKET, Oil Pump, 1997 XJ, 1999 XJ
13	6022 235	1		EPO, ERO		BOLT AND WASHER, Hex Head, .312-18x1.00
14	0154 593	1		EPO, ERO		SCREW, Hex Head Coned, .312-18x2.625
15	J324 3116	1		ERO		SUPPORT, Engine Oil Pan, 1997 XJ, 1999 XJ
--						LABEL, Oil Filter Thread I.D.
						(NOT REQUIRED), 1999 XJ
	5300 8907	1				1997 XJ
17	5281 090	1		EPO, ERO		FILTER, Engine Oil, 1997 XJ, 1999 XJ
--	-----	1		ERO		CONNECTOR, Oil Filter, 1997 XJ, 1999 XJ
19	J027 1448	1		ERO		PIN, Roll, 5/32" x 1.00", 1997 XJ, 1999 XJ
20	5302 0080	1		ERO		ADAPTER, Oil Filter
21	5302 0237	1		ERO		BOLT, Oil Filter Adapter
22	3300 2972	1		ERO		O RING, Oil Filter Adapter
23						PAN, Engine Oil
	5302 0833	1		ERO		1997 XJ
	53020 833AB	1		ERO		1999 XJ
--	-----	16		ERO		SCREW AND WASHER, Hex Head, .25-20x.545
25	6034 483	3		ERO		SCREW, Hex Head Coned, .312-18x.875, 1997 XJ, 1999 XJ
-26	6034 733	1		ERO		STUD, .312-18/.250-20x1.680
27	5300 7568	1		ERO		GASKET, Oil Pan, 1997 XJ, 1999 XJ
--	-----			ERO		BOLT, Double Stud Hex, .250-20x1.437 8.250-20 x.700
29	6035 664	1		EPO, ERO		STUD, .312-18x1.560
30	5302 0782	1		ERO		TUBE, Oil Filler, 1997 XJ, 1999 XJ
31	5301 0445	1		ERO		INDICATOR, Engine Oil Level
32	6035 417	1		ERO		PLUG, Oil Drain, 1997 XJ, 1999 XJ
33	4720 363	1		ERO		SEAL PACKAGE, Oil Filter Adapter

JEEP CHEROKEE (LHD) & (RHD) (XJ)

SERIES	LINE	BODY	ENGINE	TRANSMISSION
L=Low Line	J=LHD(4WD) U=RHD(4WD) B=RHD(4x2) T=LHD(4x2)	74=4 Dr. 72=2 Dr.	EN0=2.5L(ENC) Diesel ER0=4.0L(ERH) EP0=2.5L(EPE)	DG0=All Auto/Trans DGW=44RE (DGB) DDQ=5 spd. AISIN DGK=42RE (DGB) DBB=All Manual Trans. DGS=4 spd. Auto. AISIN DGD= 3 spd. Auto (DGA)

Manifold, Intake and Exhaust

4.0L-810



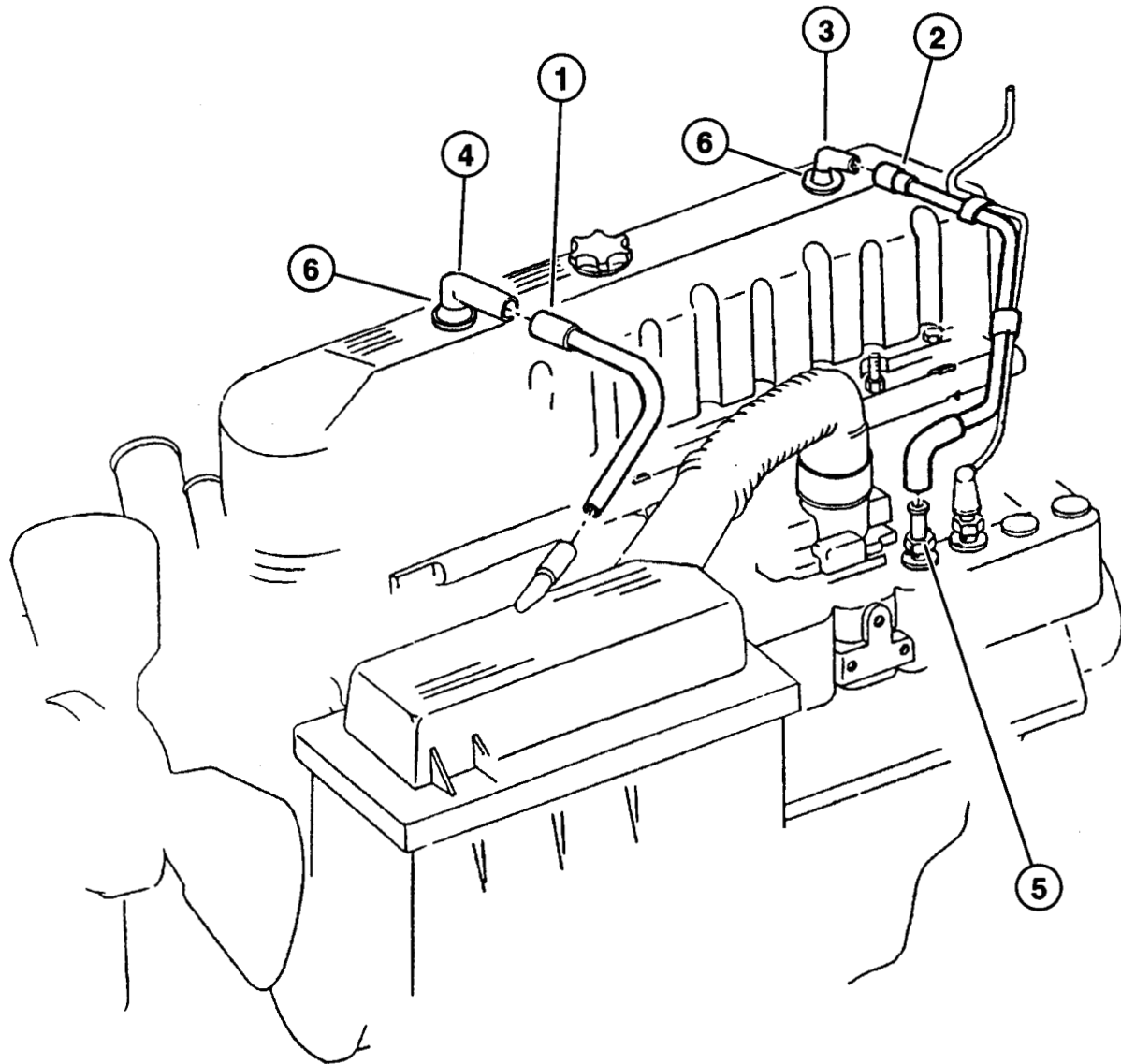
ITEM	PART	QTY	LINE	ENGINE	TRANS	DESCRIPTION
Manifold, Intake and Exhaust						
1	3300 7072	1		ERO		MANIFOLD, Exhaust 1997 XJ
	4883 385	1		ERO		1998 XJ, 1999 XJ
2						WASHER, Manifold Retaining
	3300 4255	2		ERO		1999 XJ
	3300 4255	11		ERO		1997 XJ, 1998 XJ
3						BOLT AND RETAINER, Hex Head
	J018 6622	8		ERO		1997 XJ, 1998 XJ
	#6036 045AA	8		ERO		1999 XJ
4	J400 7109	2		ERO		STUD, .375-16x1.69
5	6034984	2		EPO, ERO		NUT, Hex Flange Lock, .375-24
6						FITTING, Vacuum, Serviced in Manifold (NOT SERVICED), 1999 XJ
	5302 0027	1		ERO		1997 XJ, 1998 XJ
7						CAP, Vacuum
	3580 171	2				1998 XJ
	3580 171	1		ERO		1997 XJ
	3580 172	1		ERO		1999 XJ
8	5301 0238	1		ERO		GASKET, Intake/Exhaust Manifold
9	5301 0165	2		EPO, ERO		STUD, .375-16/.375-24x1.75
10						FITTING, Vacuum, Serviced in Manifold (NOT SERVICED), 1999 XJ
	5303 0756	1		ERO		1997 XJ, 1998 XJ
11	5602 7872	1		EPO, ERO		SENSOR, Air Temperature
12	4854 194	1		ERO		FITTING, Vacuum
13						MANIFOLD, Intake
	5301 0237	1		ERO		1997 XJ, 1998 XJ
	#4854 197AA	1		ERO		1999 XJ

JEEP CHEROKEE (LHD) & (RHD) (XJ)

SERIES	LINE	BODY	ENGINE	TRANSMISSION
L=Low Line	J=LHD(4WD) U=RHD(4WD) B=RHD(4x2) T=LHD(4x2)	74=4 Dr. 72=2 Dr.	EN0=2.5L(ENC) Diesel ER0=4.0L(ERH) EP0=2.5L(EPE)	DG0=All Auto/Trans DGW=44RE (DGB) DDQ=5 spd. AISIN DGK=42RE (DGB) DBB=All Manual Trans. DGS=4 spd. Auto. AISIN DGD = 3 spd. Auto (DGA)

Crankcase Ventilation

4.0L-910



ITEM	PART	QTY	LINE	ENGINE	TRANS	DESCRIPTION
Crankcase Ventilation						
1	4854 180	1		ERO		TUBE, Cylinder Cover to A/CInr
2	4854 265	1		ERO		TUBE, Crankcase Vent To Intake Manifold
3	5303 0495	1		ERO		TUBE, Crankcase Vent To Air Cleaner
4	5303 0991	1		ERO		FITTING, Crankcase Vent Tube
5						FITTING, Vacuum
	4854 194	1		ERO		1999 XJ
	5302 0027	1		ERO		1997 XJ, 1998 XJ
6	2946 079	2		ERO		GROMMET, Crankcase Vent

JEEP CHEROKEE (LHD) & (RHD) (XJ)

SERIES	LINE	BODY	ENGINE	TRANSMISSION
L=Low Line	J=LHD(4WD) U=RHD(4WD) B=RHD(4x2) T=LHD(4x2)	74=4 Dr. 72=2 Dr.	EN0=2.5L(ENC) Diesel ER0=4.0L(ERH) EP0=2.5L(EPE)	DG0=All Auto/Trans DGW=44RE (DGB) DDQ=5 spd. AISIN DGK=42RE (DGB) DBB=All Manual Trans. DGS=4 spd. Auto. AISIN DGD = 3spd. Auto (DGA)

ITEM	PART	QTY	LINE	ENGINE	TRANS	DESCRIPTION
------	------	-----	------	--------	-------	-------------

Crankcase Ventilation

JEEP CHEROKEE (LHD) & (RHD) (XJ)

SERIES	LINE	BODY	ENGINE	TRANSMISSION
L=Low Line	J=LHD(4WD) U=RHD(4WD) B=RHD(4x2) T=LHD(4x2)	74=4 Dr. 72=2 Dr.	EN0=2.5L(ENC) Diesel ER0=4.0L(ERH) EP0=2.5L(EPE)	DG0=All Auto/Trans DGW=44RE (DGB) DDQ=5 spd. AISIN DGK=42RE (DGB) DBB=All Manual Trans. DGS=4 spd. Auto. AISIN DGD= 3 spd. Auto (DGA)