

Vehicle Application: T.J. REAR P/N 82202307

Please read instructions thoroughly before starting.

REAR:

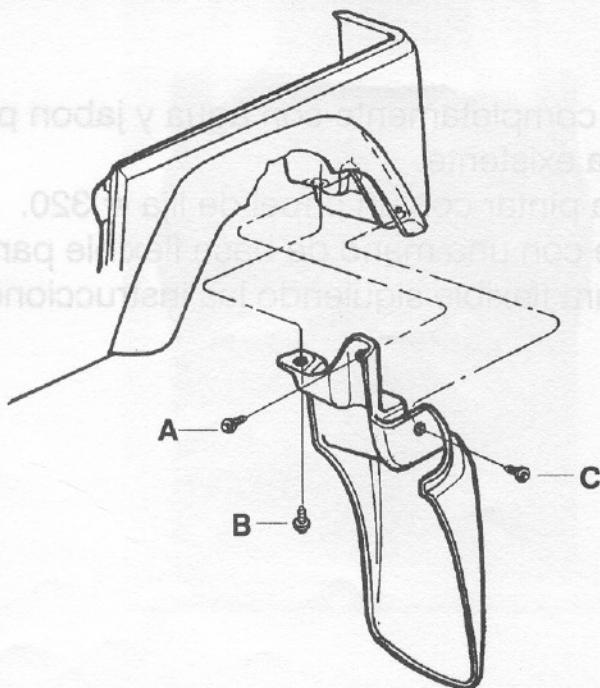
Tools Required:

- Knife (Razor)
- 7/16" (11 mm) Socket/Driver
- 5/16" (8 mm) socket
- Pliers
- Clean Cloth/Rag

Package Contents:

- 1 - LH Splash Guard
- 1 - RH Splash Guard
- 6 - Bolts (Wax Coated)
- 1 - Instruction Sheet

1. Clean and degrease rear wheel well and flare where the Splashguard is to be located.
2. Refer to diagram and identify positions A and B, remove plastic inserts.
3. Identify position C, bottom hole of flare, remove screw and plastic nut.
4. Position part and install screws supplied into holes A, B, C. (Note on high level flares, hole C will be slightly out of alignment. When screw is installed it will align.) **Do not over tighten screws.**
5. Repeat procedure for other side.
6. Parts are made of (TPO) Thermo Plastic Olefin and are paintable. See reverse side of sheet for painting instructions.
7. Guards can be cleaned with any commercially available cleaner.



PAINING INSTRUCTIONS

1. Clean all surfaces with soap and water to remove dust and fingerprints.
 2. Sand surface to be painted with 320 grit paper.
 3. Spray surface with a flexible primer-bonding material.
 4. Apply a flexible paint as directed by the paint manufacturer.
-

DIRECTIVES POUR PEINDRE

1. Nettoyer toutes les surfaces au savon et à l'eau pour enlever toutes empreintes et poussière.
 2. Sabler les surfaces à peindre au papier # 320.
 3. Vaporizer les surfaces d'un enduit d'appoint-flexible.
 4. Suivre les directives du manufacturier de peinture pour appliquer la peinture flexible.
-

INSTRUCCIONES PARA PINTAR

1. Limpie superficie completamente con agua y jabon para remove el polvo y la grasa existente.
2. Lije la superficie a pintar con un papel de lija # 320.
3. Pinte la superficie con una mano de base flexible para sellar.
4. Aplique una pintura flexible siguiendo las instrucciones del fabricante.