

Vehicle Application: **Laredo Front**

Gray
Driftwood

Please read instructions thoroughly before starting.

Tools Required:

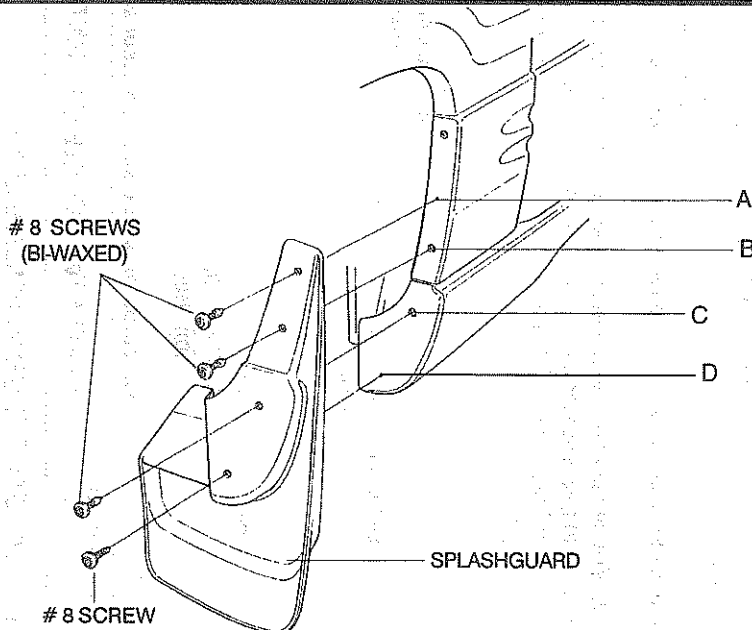
- #2 Phillips Screwdriver
- 3/32" Drill bit / Drill
- Clean Cloth/Rag

Package Contents:

Qty	Description
1	L. H. Splashguard
1	R. H. Splashguard
6	#8 x 3/4" Screws (bi-waxed)
2	#8 x 3/4" Screws
1	Instruction Sheet

NOTE: Turning front wheels to the left, or right will allow for additional clearance, when installing the Splashguards.

1. Clean and degrease body panel where splash guards are to be located .
2. Remove existing screws from cladding, positions B and C (Refer to diagram).
3. Position part on body and install supplied screws #8 (bi-waxed) in holes B and C while holding part firmly against body panel. Tighten.
4. Drill a 3/32" center pilot hole in positions A and D while holding part firmly against body panel.
5. Install supplied screw (bi-waxed) in position A and supplied screw (non-waxed) in position D. **Do not over tighten.**
6. Repeat procedure for other side.
7. Parts are made of (TPO) thermo plastic olefin and are paintable. See painting instructions.
8. Guards can be cleaned with any commercially available cleaner.



PAINING INSTRUCTIONS

1. Clean all surfaces with soap and water to remove dust and finger prints.
2. Sand surface to be painted with 320 grit paper.
3. Spray surface with a flexible primer-bonding material.
4. Apply a flexible paint as directed by the paint manufacturer.