



Mopar

PARTS

CARGO LINER INSTALLATION INSTRUCTIONS

PART NO. 82206761

Jeep Liberty (KJ), 2001

FOR TECHNICAL ASSISTANCE, CALL:

1-800-OE-LINER IN USA, MONDAY - FRIDAY, 7AM - 5:30PM CENTRAL TIME,
1-800-343-2469 IN CANADA, MONDAY - FRIDAY, 7AM - 4:30PM CENTRAL TIME

KIT CONTENTS:

- 1 Cargo Liner
- 4 Fastener Clips
- 2 Stretch Cords
- 1 Instruction Sheet

TOOLS REQUIRED:

Utility knife (if cutouts are to be removed)

TO INSTALL:

1. Remove Cargo Liner from box. **NOTE:** Your Cargo Liner is rolled up for packaging purposes. It must be removed from the box and allowed to relax before installation in your vehicle. Lay flat at room temperature (70° F) for approximately 1 hour for the Cargo Liner to relax for installation. Warmer temperatures will allow the material to relax faster, while colder temperatures will slow the process considerably.

2. To install in vehicle, put back seats in lowered (flat) position. Place Cargo Liner into vehicle, pushing the Liner into the contours of the cargo area of your vehicle.

3. Now return rear seat to upright position. Fold top flap under Cargo Liner on seat back (see Figures 4 & 5). Attach one end of Stretch Cord into keyhole slot. Position Stretch Cord around headrest supports and fasten other end of Stretch Cord in next keyhole slot (see Figure 3). Continue to other side of Cargo Liner and fasten in the same manner.

4. Refer to Figures 4 & 5 to see how Fastener Clips are used and how they are to be positioned.

5. When putting on the Clips that go around the side of the folded Liner, position them about 1" down from the fold. With the Clips positioned on the Liner, push the velcro-backed Clips against the carpeting on the seat backs — wiggle and push on the fastener to securely attach it to the carpeting (see Figure 4).

NOTE: The Fastener Clips are designed to stay in place on the seat backs.

6. Before lowering the seats, unhook stretch cords. The Liner will slide out of the Fastener Clips. Unfold the top flap to allow the liner to lay flat. To raise, pull the seats up and fold the Liner at the top hinge. Insert the folded Liner into the Clips by pulling the Clips open and inserting the folded Liner into the Clips (see Figure 5).

CARE OF LINER:

Clean Liner with damp cloth or, if excessively dirty, remove the Liner from the vehicle, brush with mild soap and water, rinse and let dry before reinstalling.

FIGURE 1

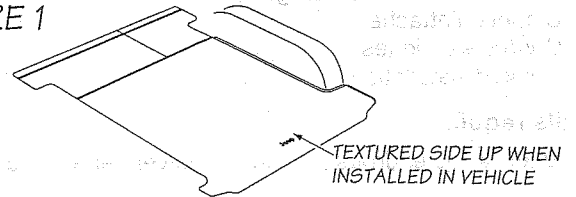


FIGURE 2

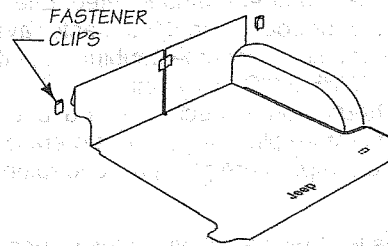


FIGURE 3

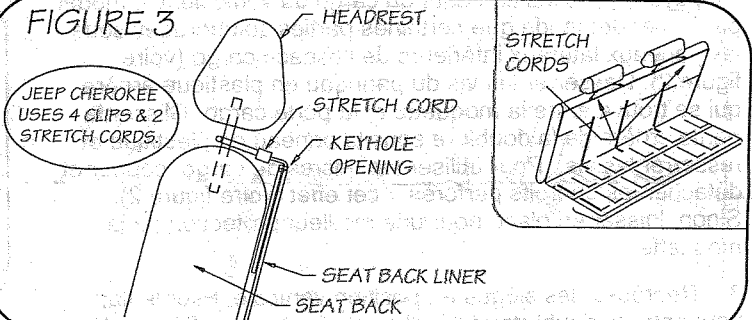


FIGURE 4

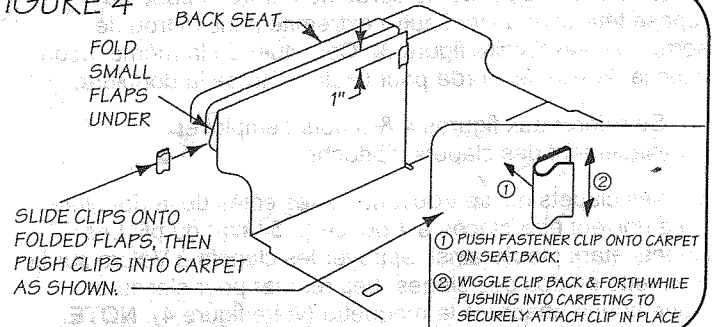


FIGURE 5

