

Installation Instructions

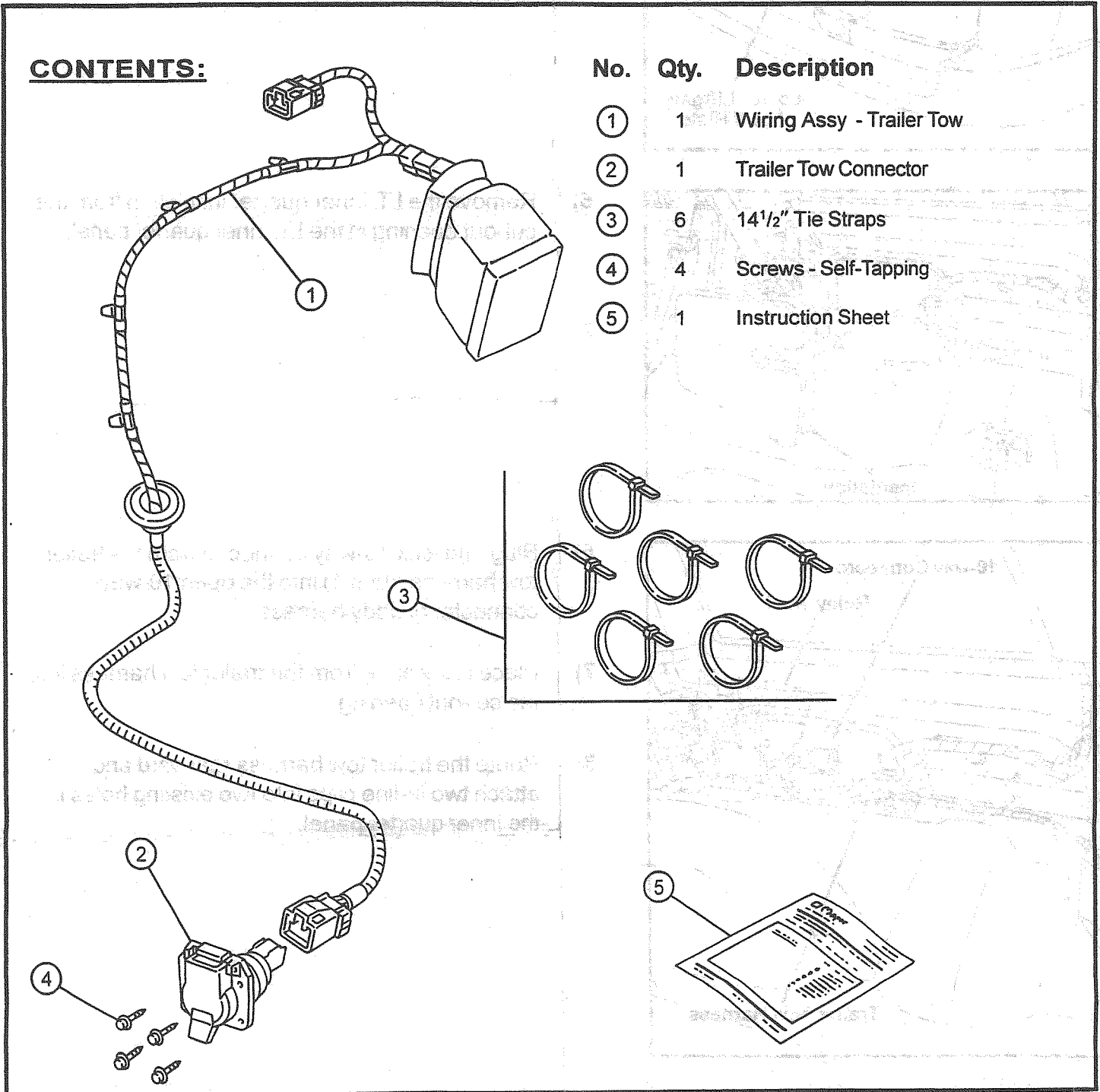
Read entire instructions thoroughly before starting.

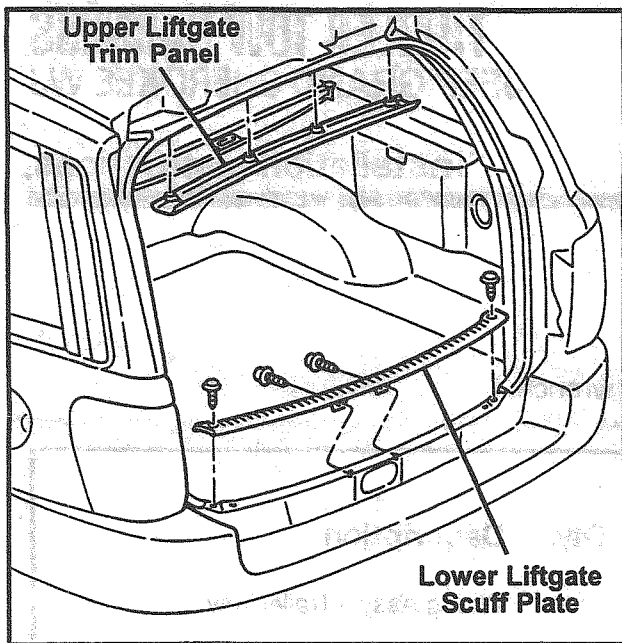
TOOLS REQUIRED:

- Trim removal tool
- Phillips head screwdriver
- Torque wrench

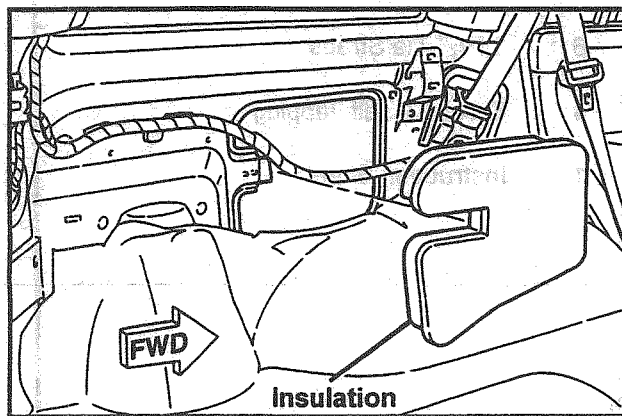
CONTENTS:

No.	Qty.	Description
①	1	Wiring Assy - Trailer Tow
②	1	Trailer Tow Connector
③	6	14 1/2" Tie Straps
④	4	Screws - Self-Tapping
⑤	1	Instruction Sheet

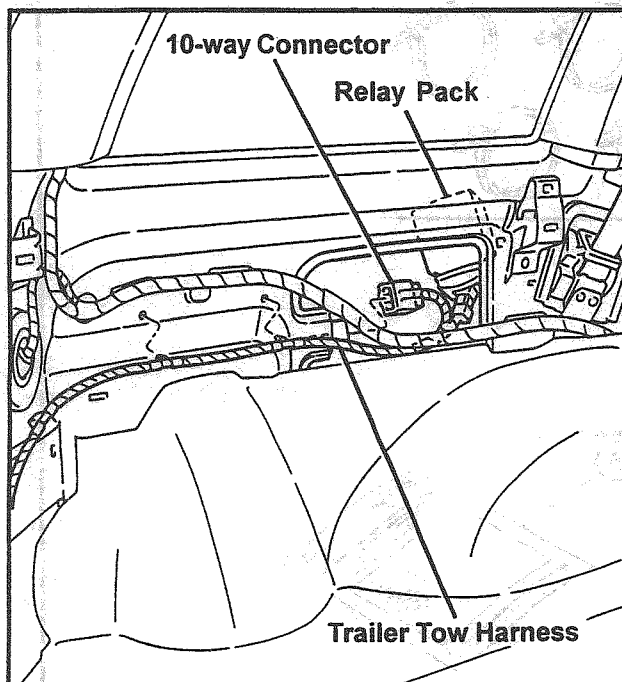




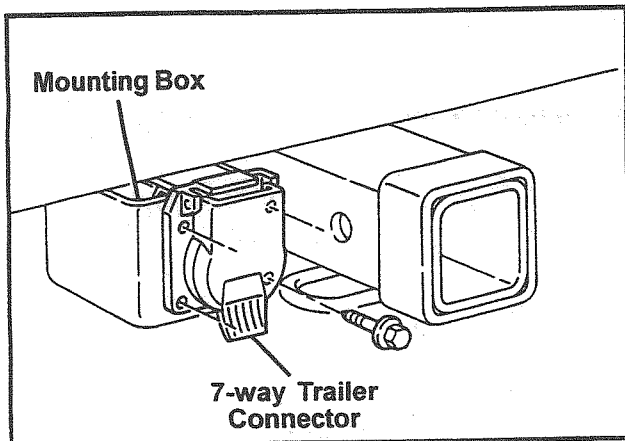
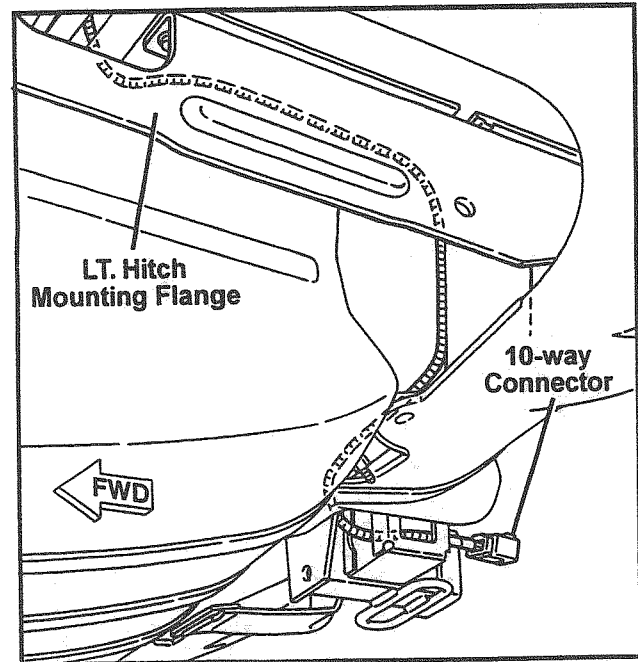
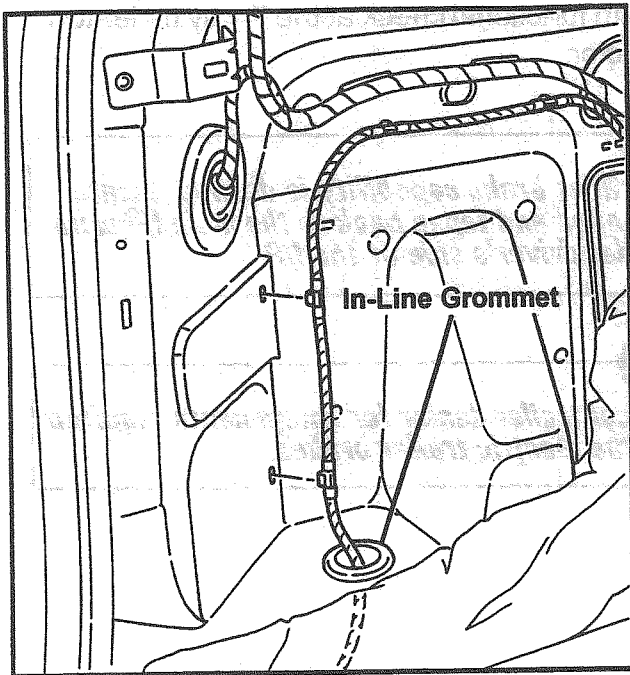
- 1) Open the liftgate. Disconnect four clips to remove the upper liftgate opening trim panel.
- 2) Unscrew four phillips head screws to remove the lower liftgate opening scuff plate.
- 3) Lift up and remove the cargo security cover.
- 4) Disconnect four clips and unscrew three phillips head screws to remove the LT. inner quarter trim panel.



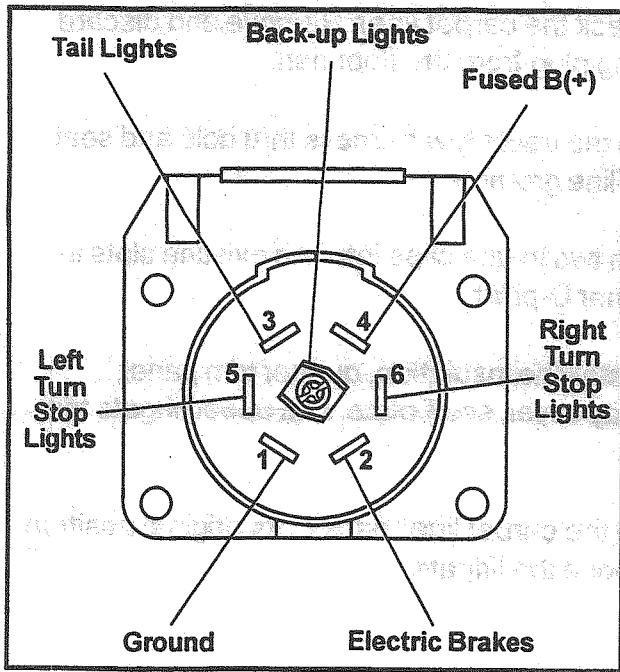
- 5) Remove the LT. inner quarter insulation from the cut-out opening in the LT. inner quarter panel.



- 6) Plug and lock 10-way connector from the trailer tow harness (Item 1) into the open 10-way connector of body harness.
- 7) Place relay pack from the trailer tow harness into the cut-out opening.
- 8) Route the trailer tow harness rearward and attach two in-line clips into two existing holes in the inner quarter panel.



- 9) Pull back the carpet liner. Remove and discard existing plug from the floor pan.
- 10) Route the trailer tow harness thru hole and seat the in-line grommet.
- 11) Attach two in-line clips into two existing slots in the inner D-pillar.
- 12) Re-install the insulation, quarter trim panel, security cover, scuff plate, and upper liftgate trim panel.
- 13) Place the carpet liner back to its original position and close the liftgate.
- 14) Raise the vehicle on lift.
- 15) Route the trailer tow harness thru cut-out in the LT. trailer hitch mounting flange, then rearward and across the rear face of the trailer hitch.
- 16) Route 10-way connector from the harness thru cut-out in the mounting box. Plug and lock connector into the trailer tow connector (Item 2). Loose fit trailer tow connector into the mounting box.
- 17) Using the supplied tie straps (Item 3), secure the trailer tow harness to the trailer hitch.
- 18) Using four self-tapping screws (Item 4), secure the trailer tow connector to the mounting box.
- 19) Tighten the screws to 35in.-lbs.
- 20) Lower the vehicle.



21) Perform functional check at the 7-way trailer tow connector.

NOTE:

If electric trailer brake capability is desired, locate blue wire looped and taped back to the main I/P wire harness under driver's side of the I/P.

NOTE:

See your local trailer dealer for components required to hook up the electric trailer brakes.