

GB

INSTALLATION INSTRUCTIONS LIGHT BAR

E

INSTRUCCIONES DE MONTAJE BARRE DE LUMIERE

F

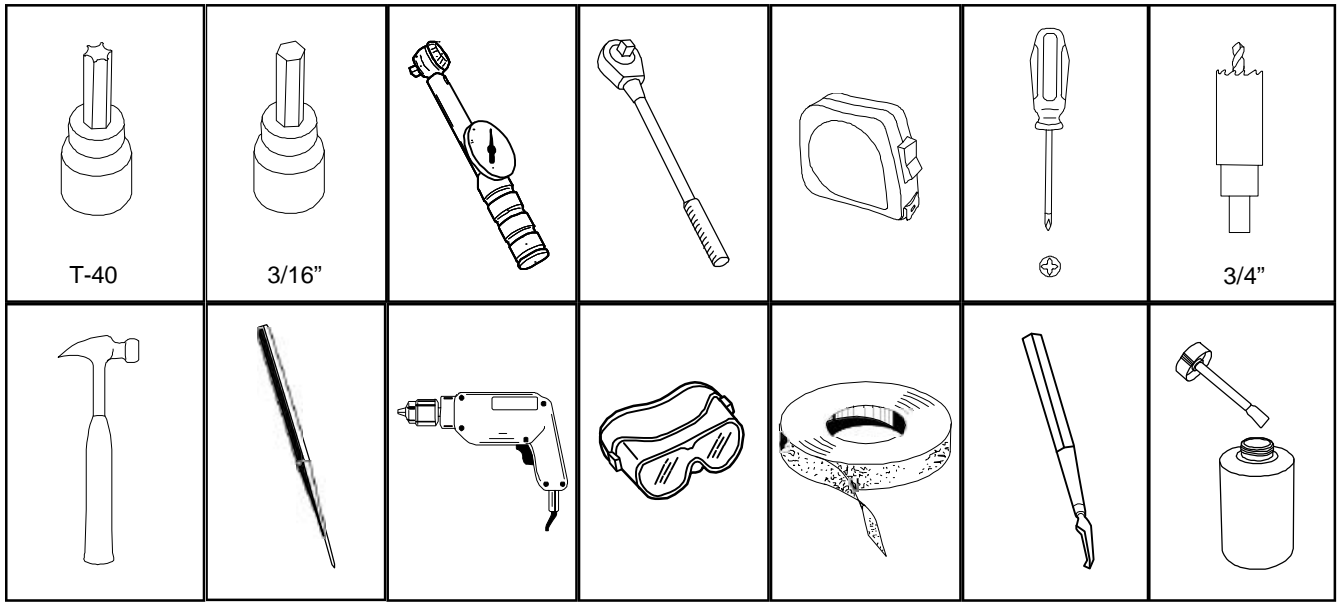
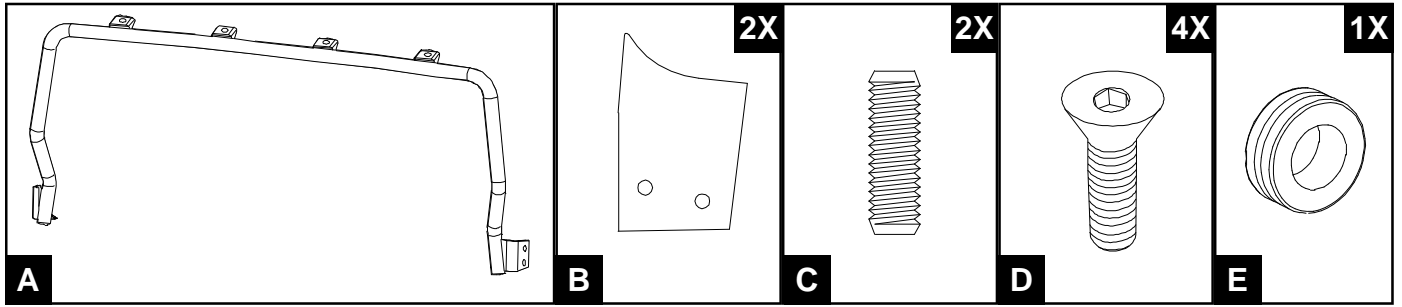
NOTICE DE MONTAGE BARRA DE LUZ

Subject to alteration without notice.

Reservadas modificaciones técnicas.

Sous reserve de modifications techniques.

05-01-2003
K6858819
©DAIMLERCHRYSLER



NOTE:

All drilled holes should be de burred and treated with Mopar Corrosion Inhibitor # 82300508.

Maintain this product by cleaning with a mild detergent and protect with Mopar cleaner polish # 4796237

NOTE:

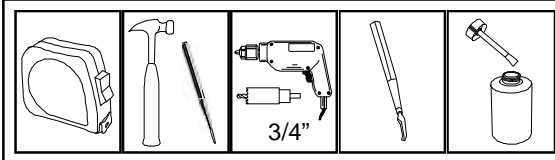
One of the following kits will be required to complete the electrical installation.

* Verify part number required for your model year application.

82202526 - (Installation kit off road lighting)

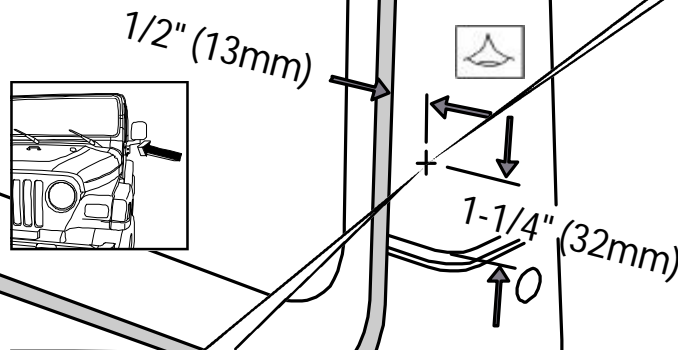
82208465 - (Installation kit off road lighting)

1



1/2" (13mm)

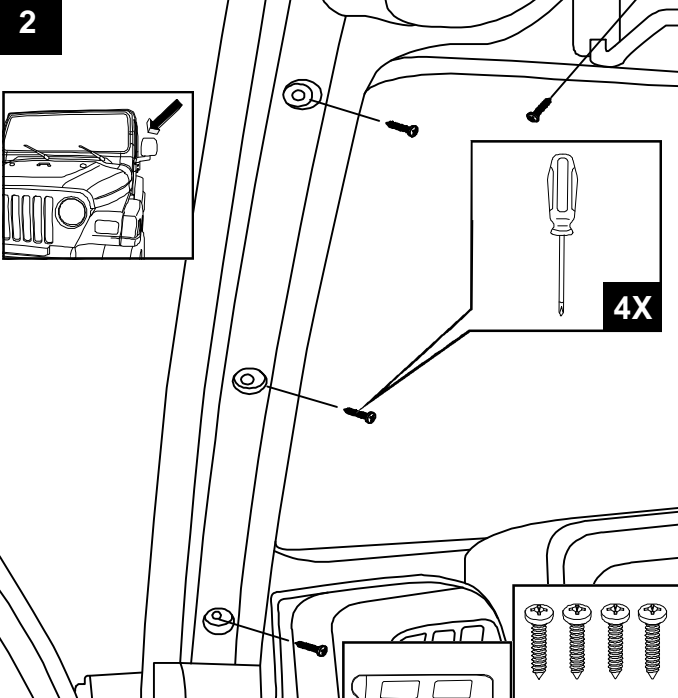
1-1/4" (32mm)



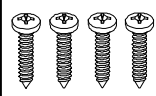
INNER PANEL
REINFORCEMENT PANEL
OUTER PANEL

NOTE: HOLES NEED TO BE DRILLED THROUGH OUTER AND RE-INFORCEMENT PANELS, BUT NOT THROUGH INNER PANEL.

2

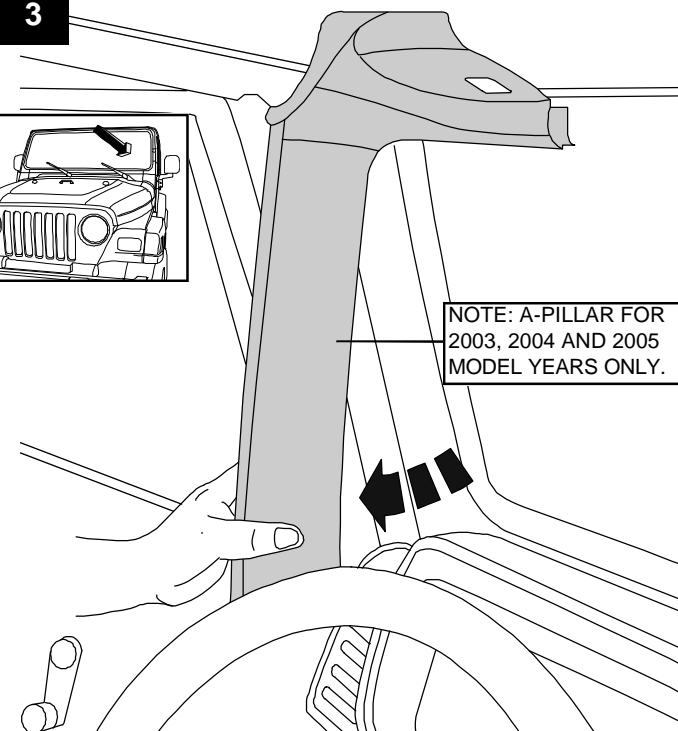


4X



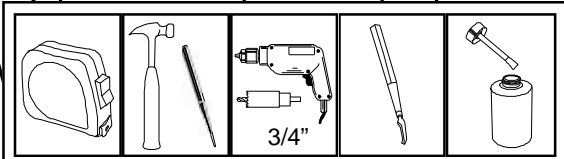
➔ 16

3



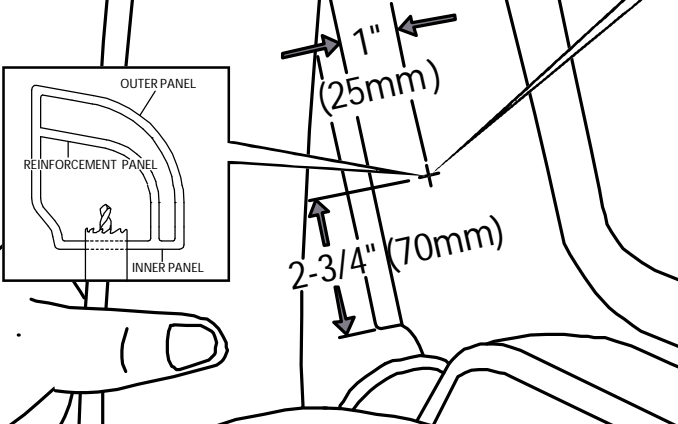
NOTE: A-PILLAR FOR 2003, 2004 AND 2005 MODEL YEARS ONLY.

4



1" (25mm)

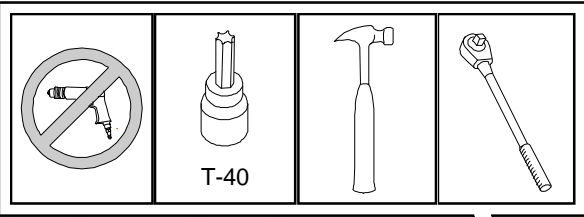
2-3/4" (70mm)



OUTER PANEL
REINFORCEMENT PANEL
INNER PANEL

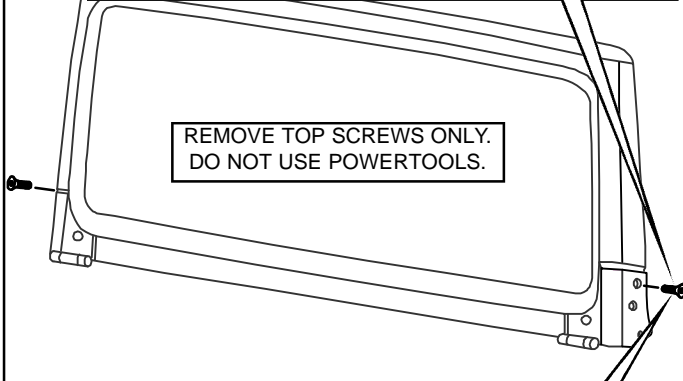
NOTE: DRILL THROUGH INNER PANEL ONLY.

5

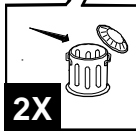


T-40

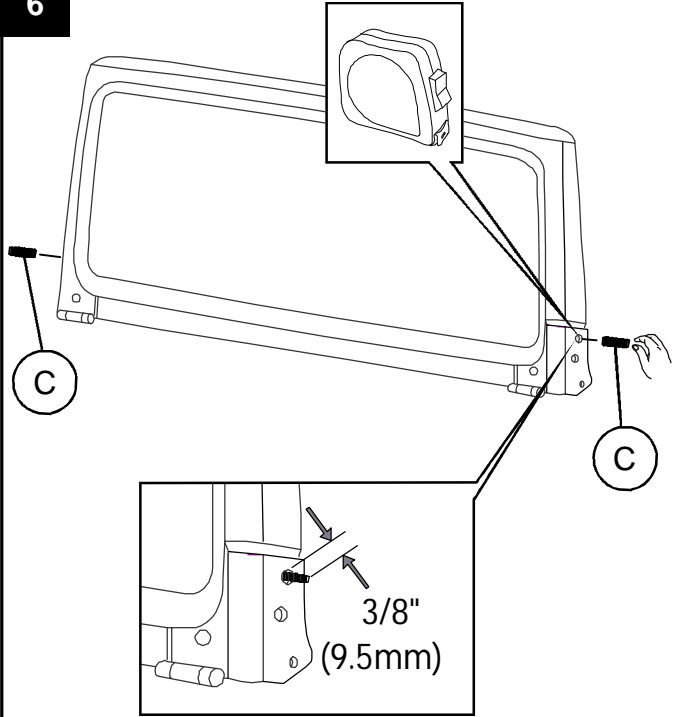
REMOVE TOP SCREWS ONLY.
DO NOT USE POWERTOOLS.



HINT: LIGHTLY TAP ALL (4)
SCREWS (2 PER SIDE) WITH
T-40 BIT AND HAMMER TO
LOOSEN THREADS.

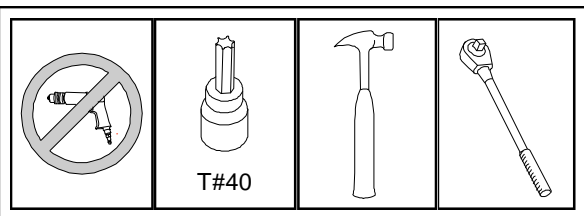


6



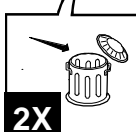
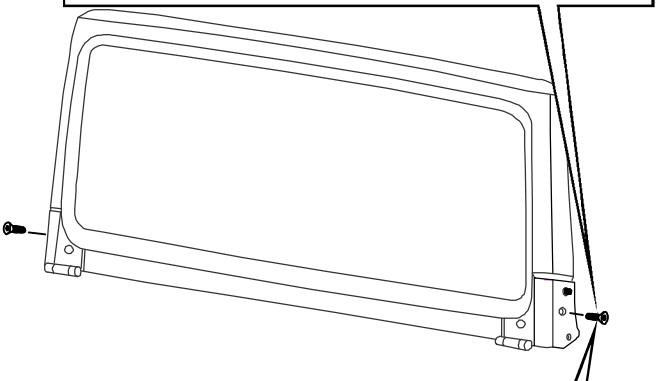
3/8"
(9.5mm)

7

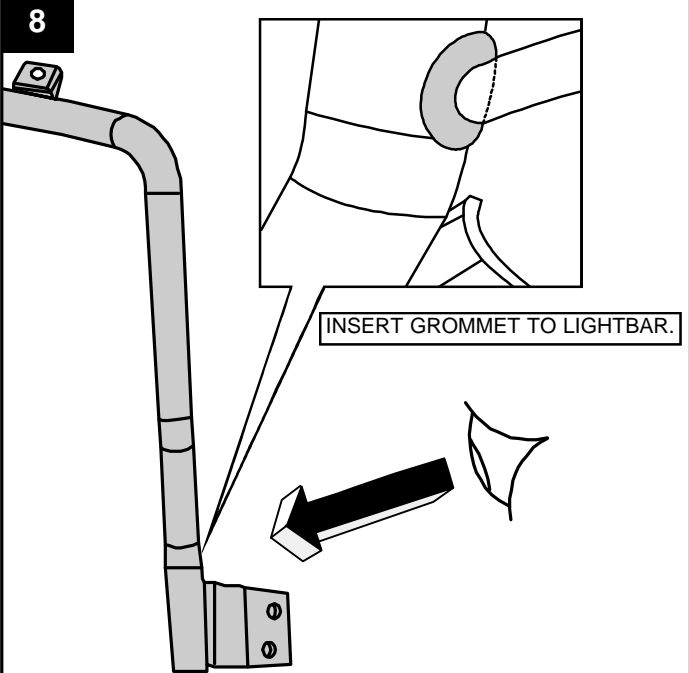


T#40

NOW REMOVE LOWER SCREWS.

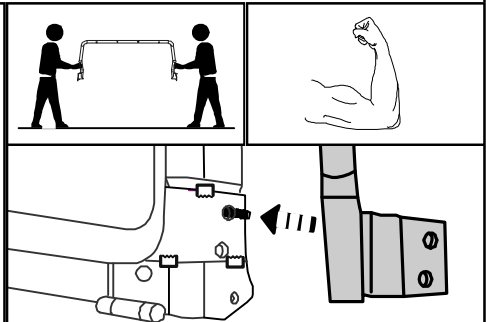
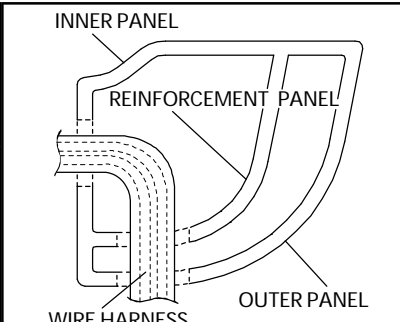
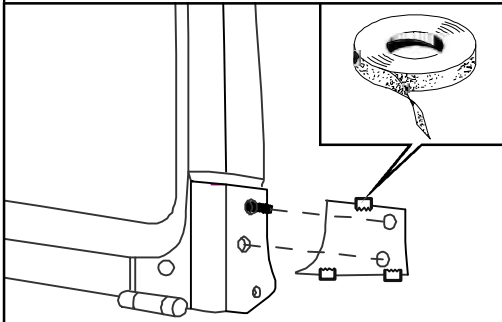
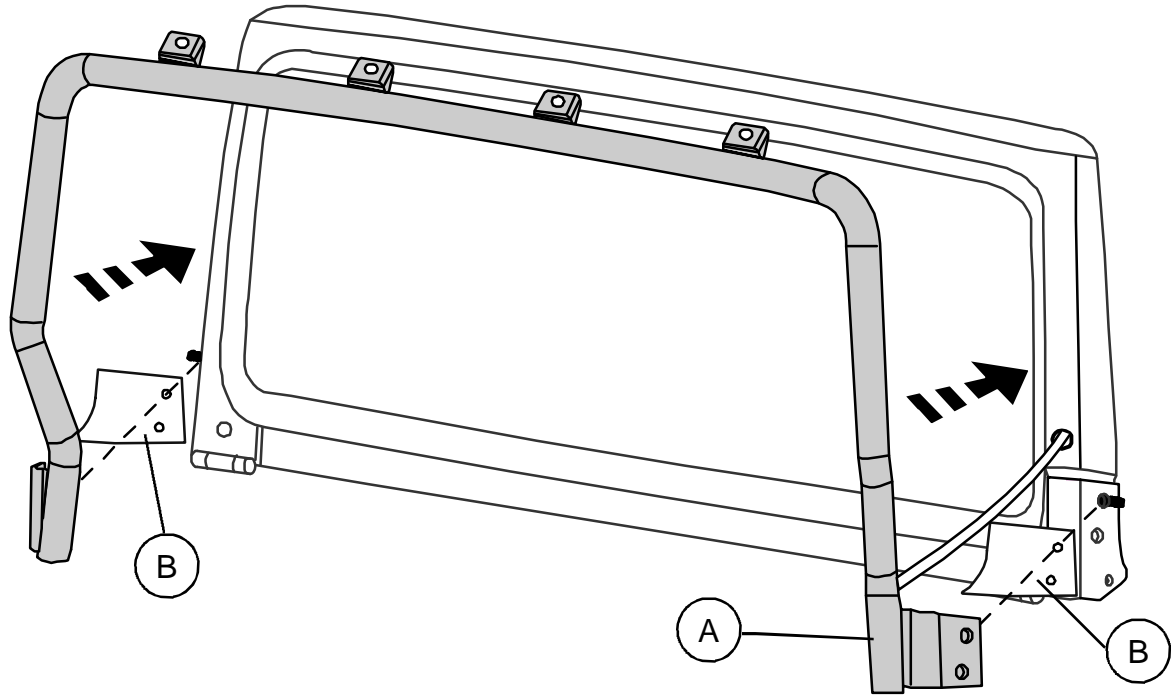


8



INSERT GROMMET TO LIGHTBAR.

9

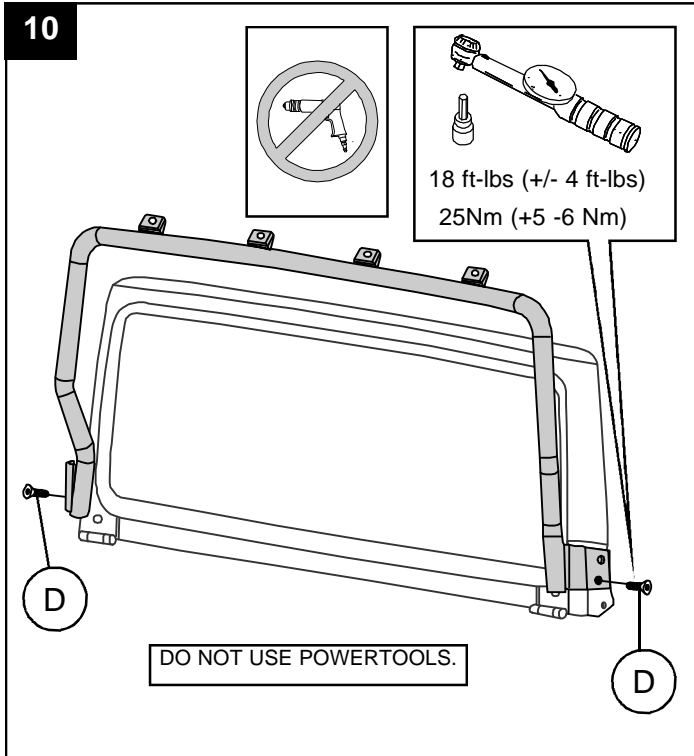


HINT#1
TAPE THE GASKET (B) TO THE BODY AFTER ALIGNING TO THE HOLES AND BRACKET. REMOVE TAPE AFTER LIGHT BAR IS MOUNTED.

HINT#2
FEED WIRE HARNESS INTO DRILLED HOLES, THROUGH ALL 3 PANELS.

HINT#3
WITH THE USE OF 2 PEOPLE, FIRST POSITION THE LIGHT BAR (A) BODY BRACKET OVER THE 5/16 STUD (C) ON THE DRIVER-SIDE. THEN DO THE SAME FOR THE PASSENGER SIDE.

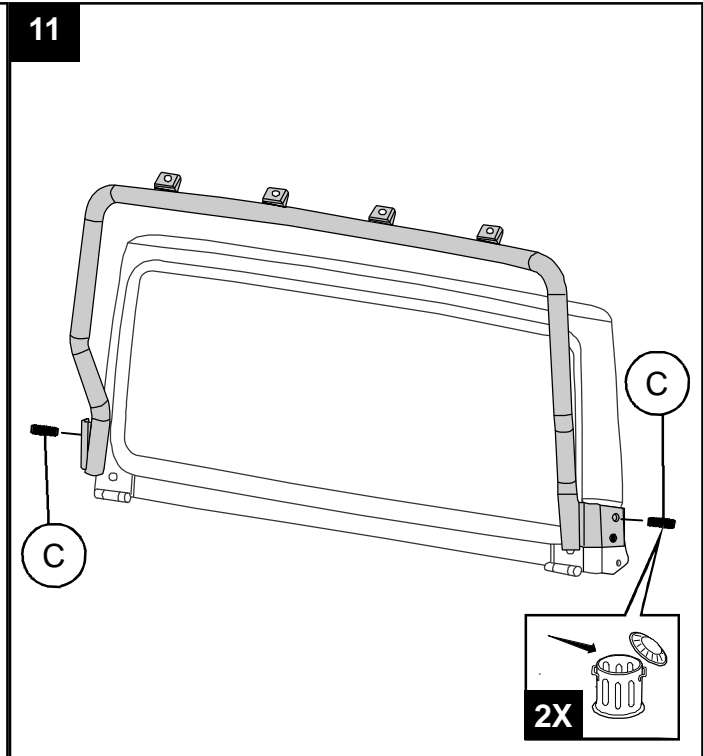
10



DO NOT USE POWERTOOLS.

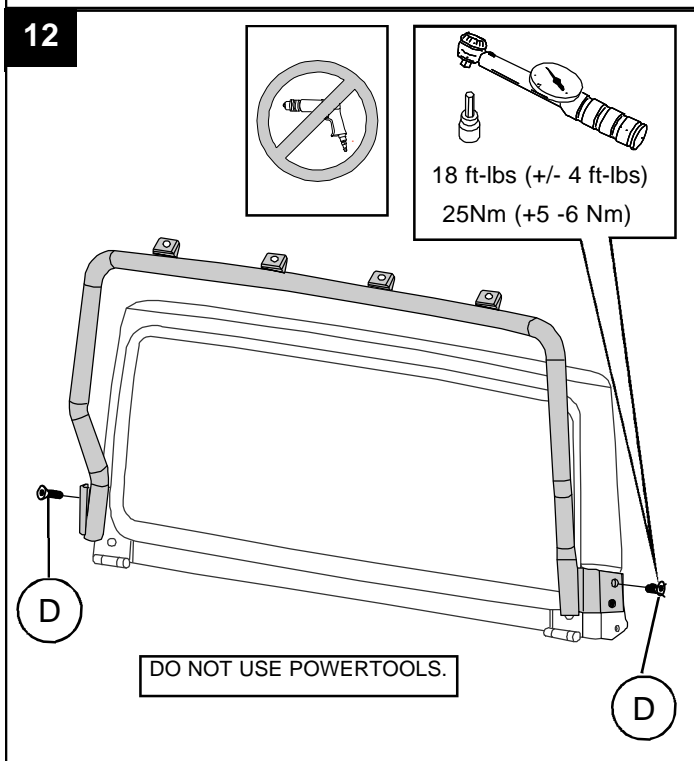
18 ft-lbs (+/- 4 ft-lbs)
25Nm (+5 -6 Nm)

11



2X

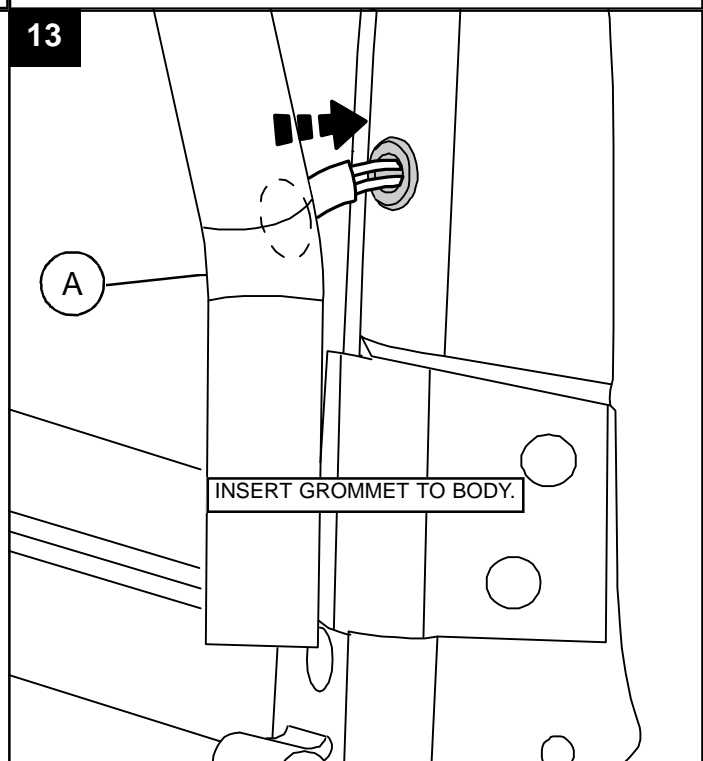
12



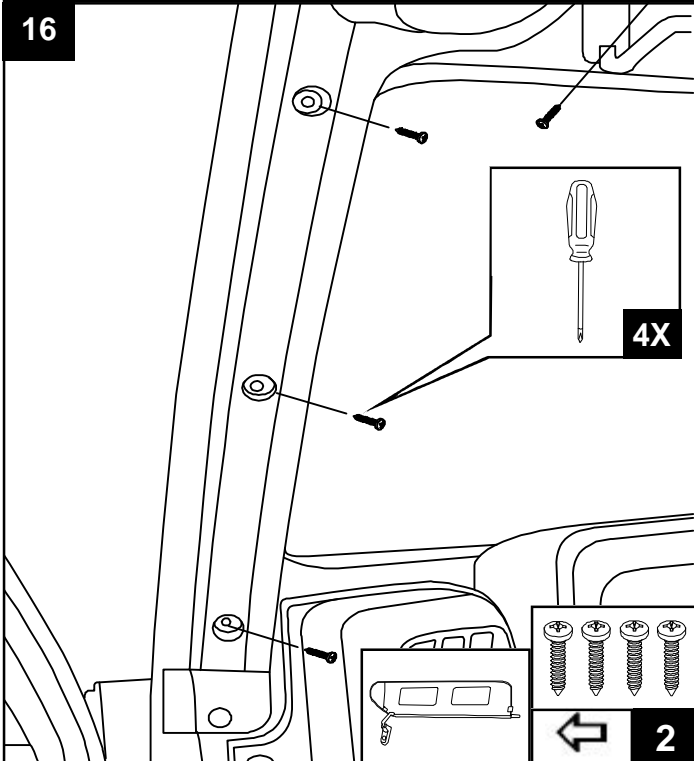
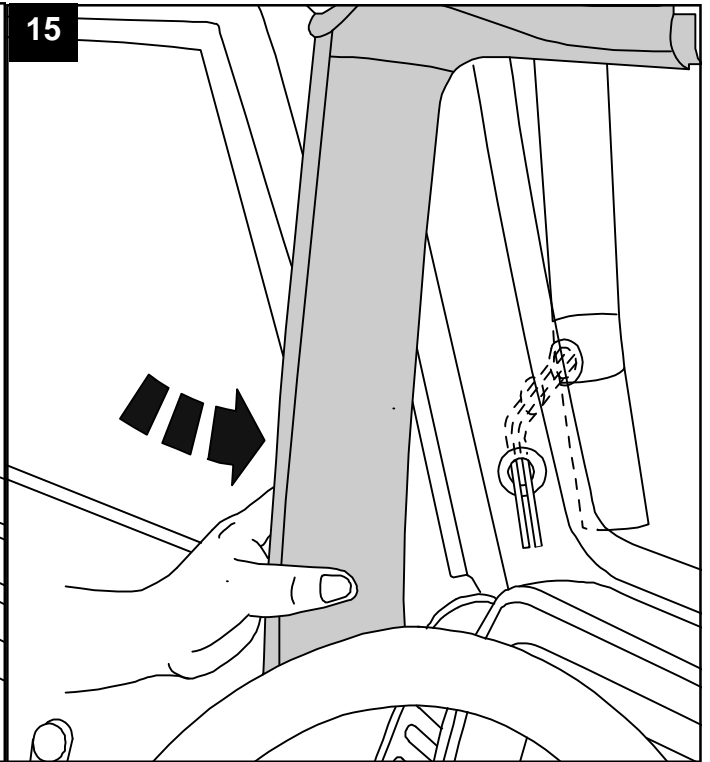
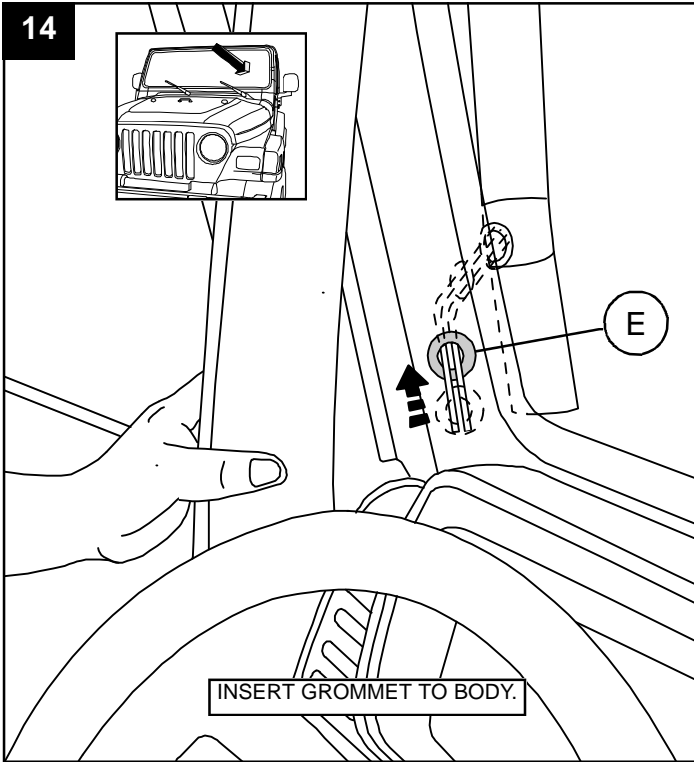
DO NOT USE POWERTOOLS.

18 ft-lbs (+/- 4 ft-lbs)
25Nm (+5 -6 Nm)

13



INSERT GROMMET TO BODY.



NOTE:

All drilled holes should be de burred and treated with Mopar Corrosion Inhibitor # 82300508.

Maintain this product by cleaning with a mild detergent and protect with Mopar cleaner polish #4796237

NOTE:

One of the following kits will be required to complete the electrical installation.

* Verify part number required for your model year application.

82202526 - (Installation kit off road lighting)

82208465 - (Installation kit off road lighting)