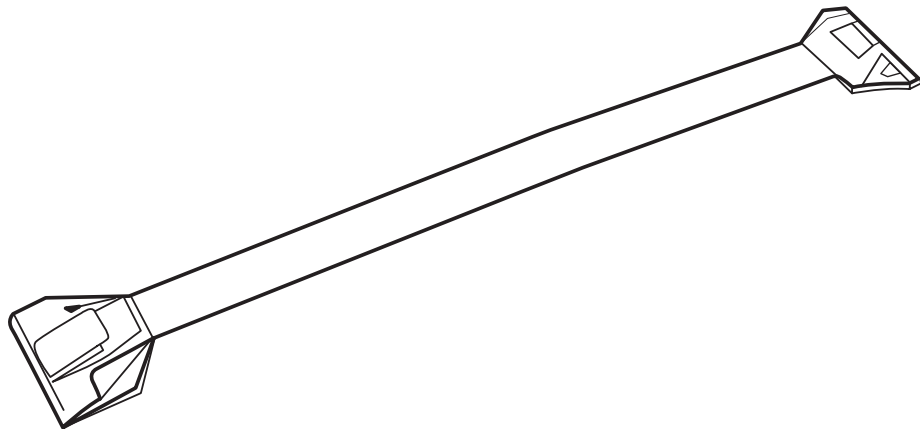
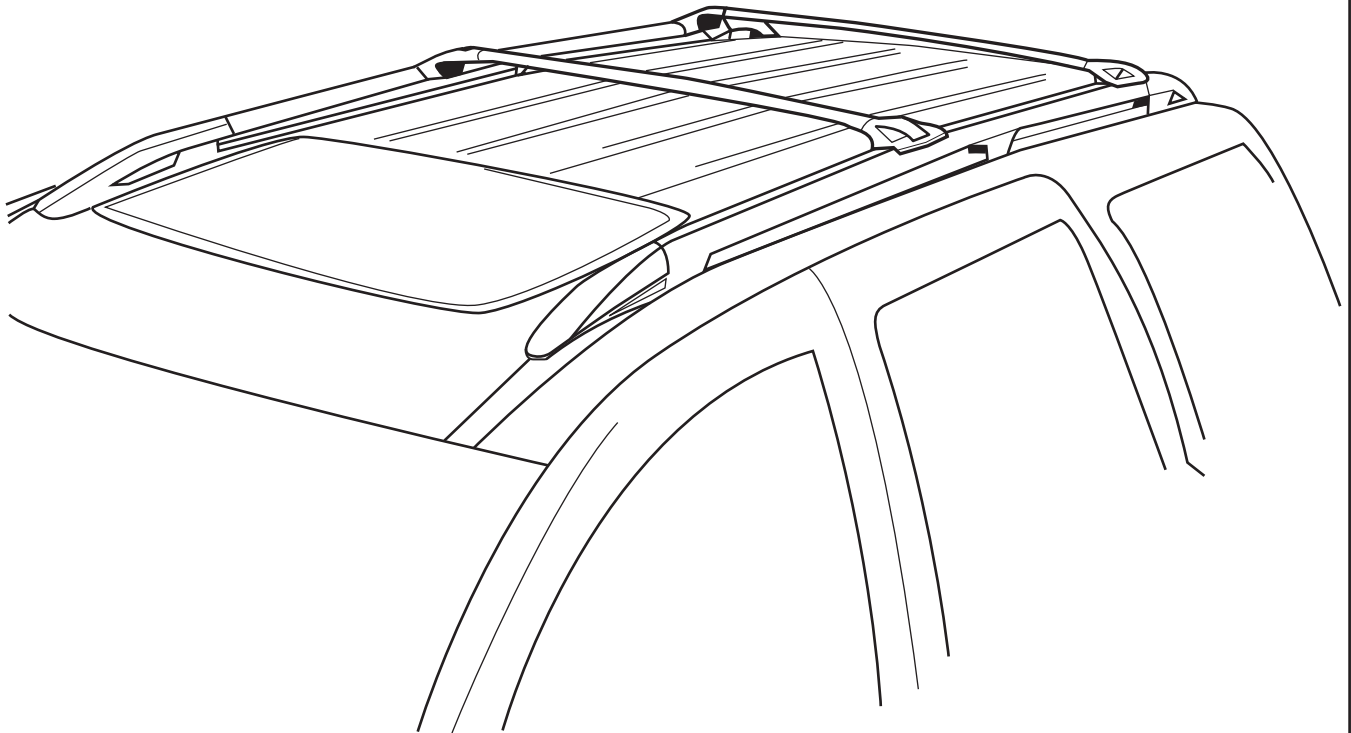




Mopar[®]

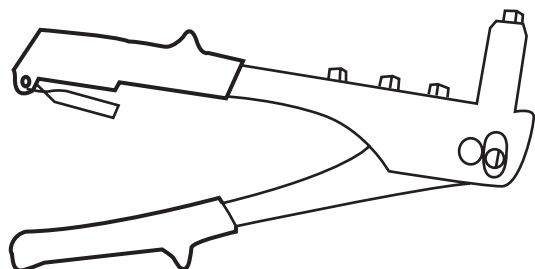
PARTS

© DAIMLERCHRYSLER

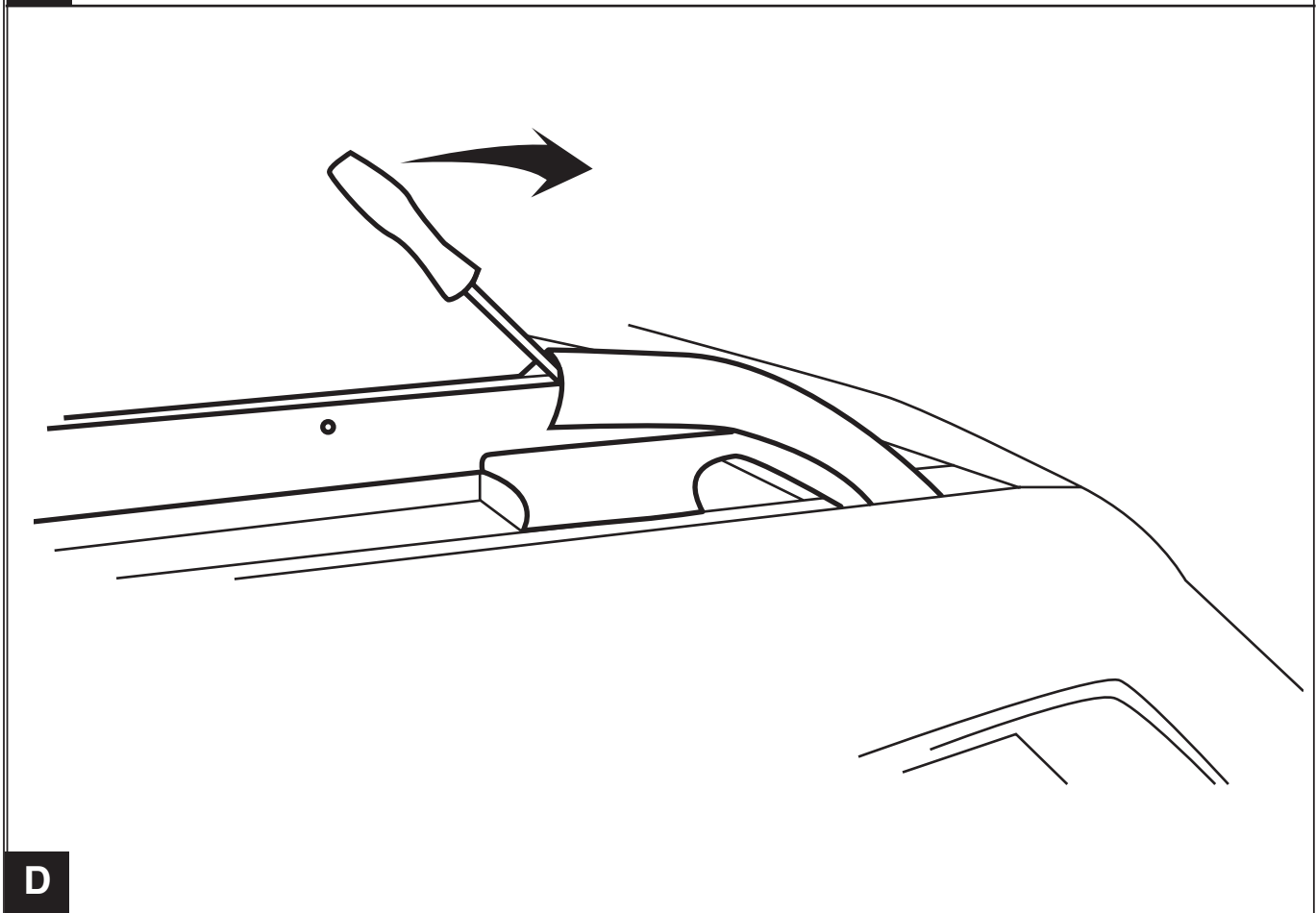
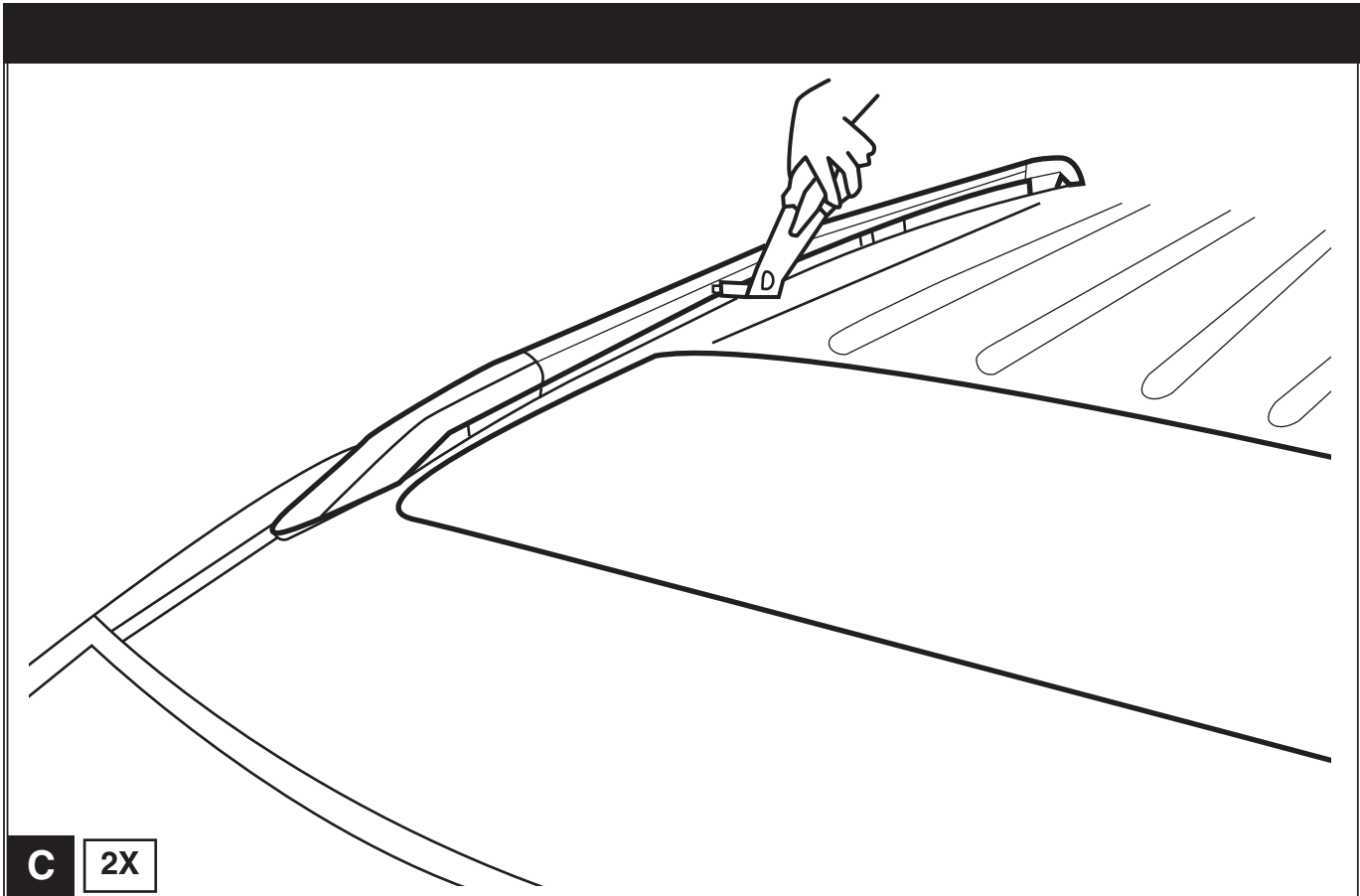


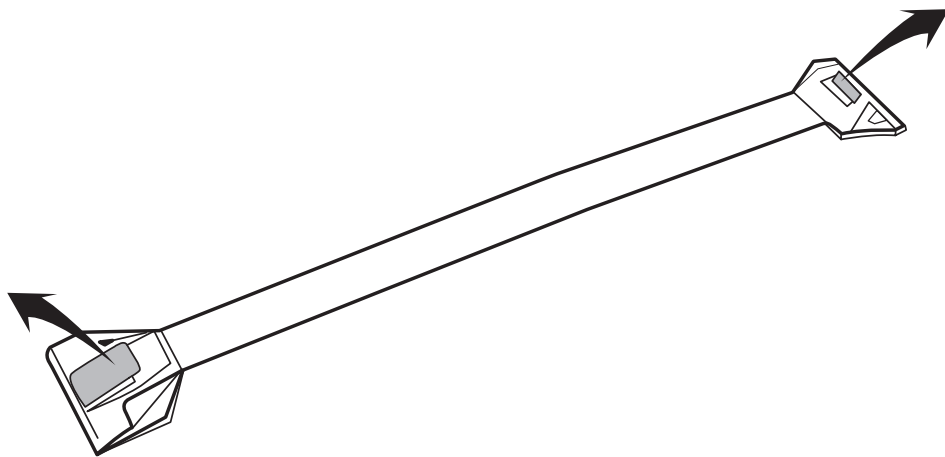
A

2X

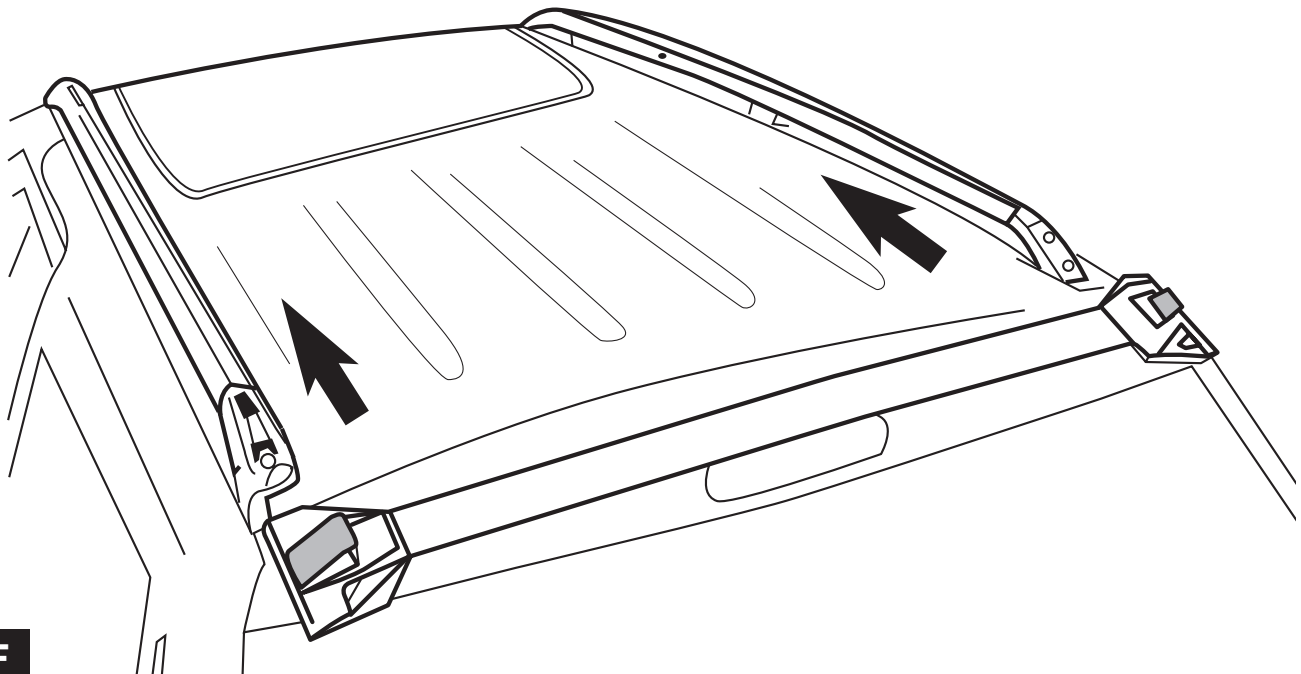


B

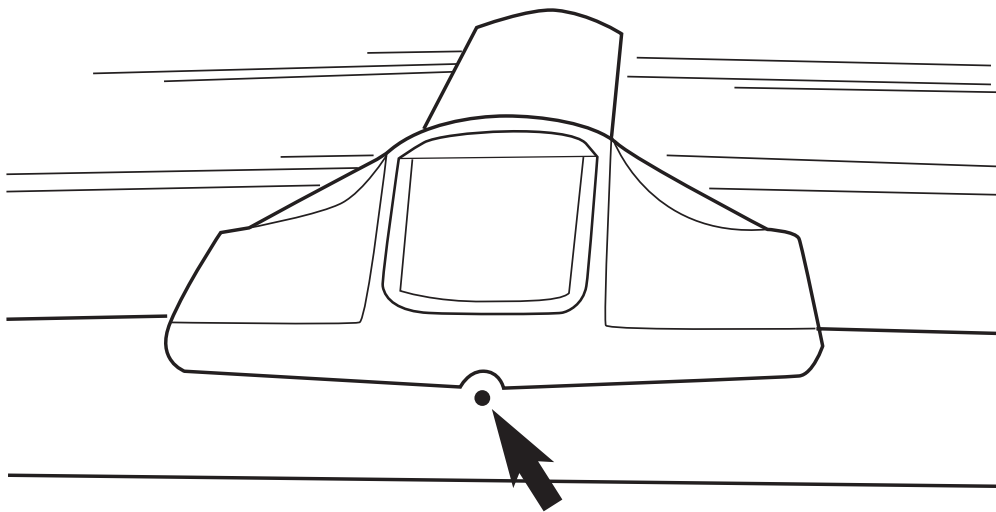




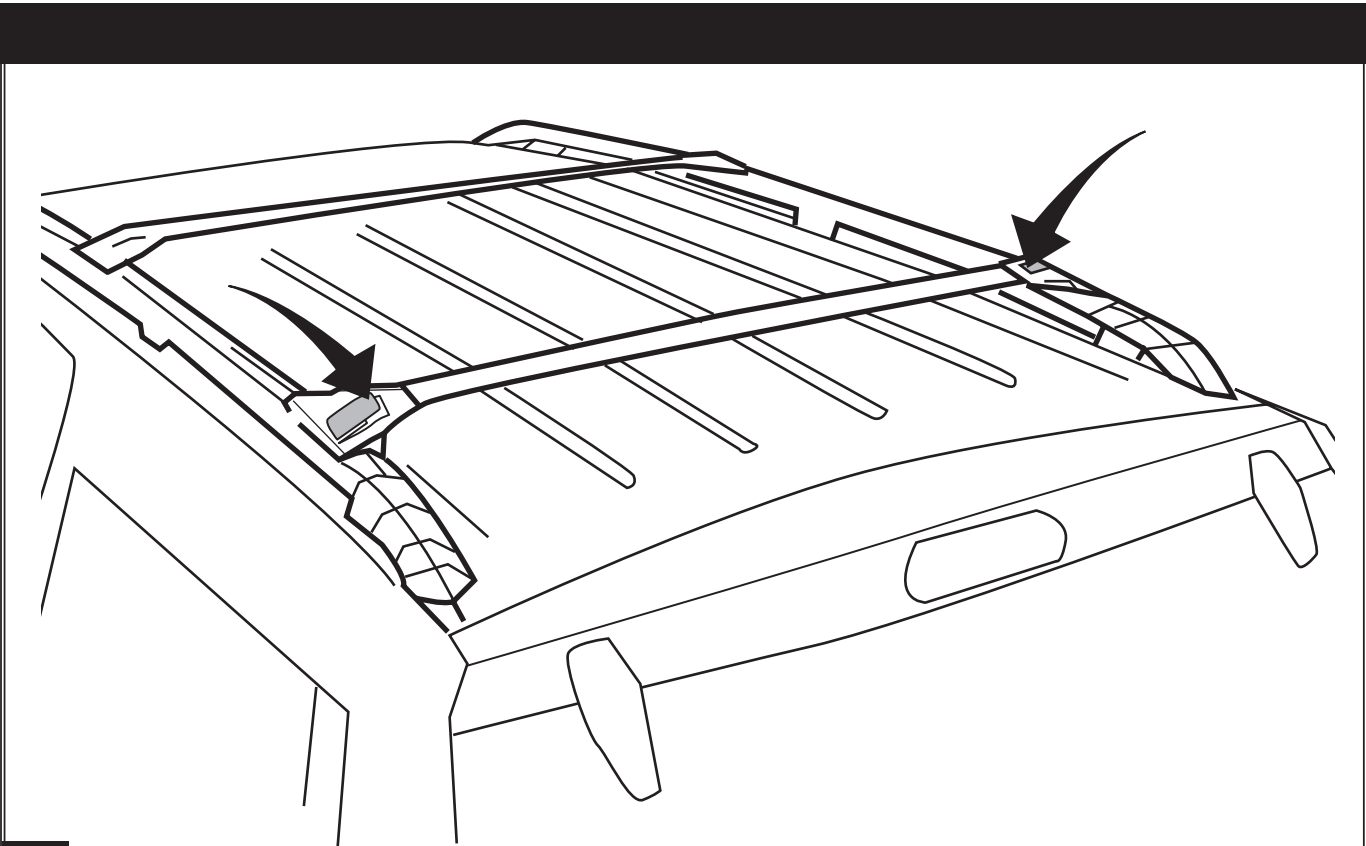
E



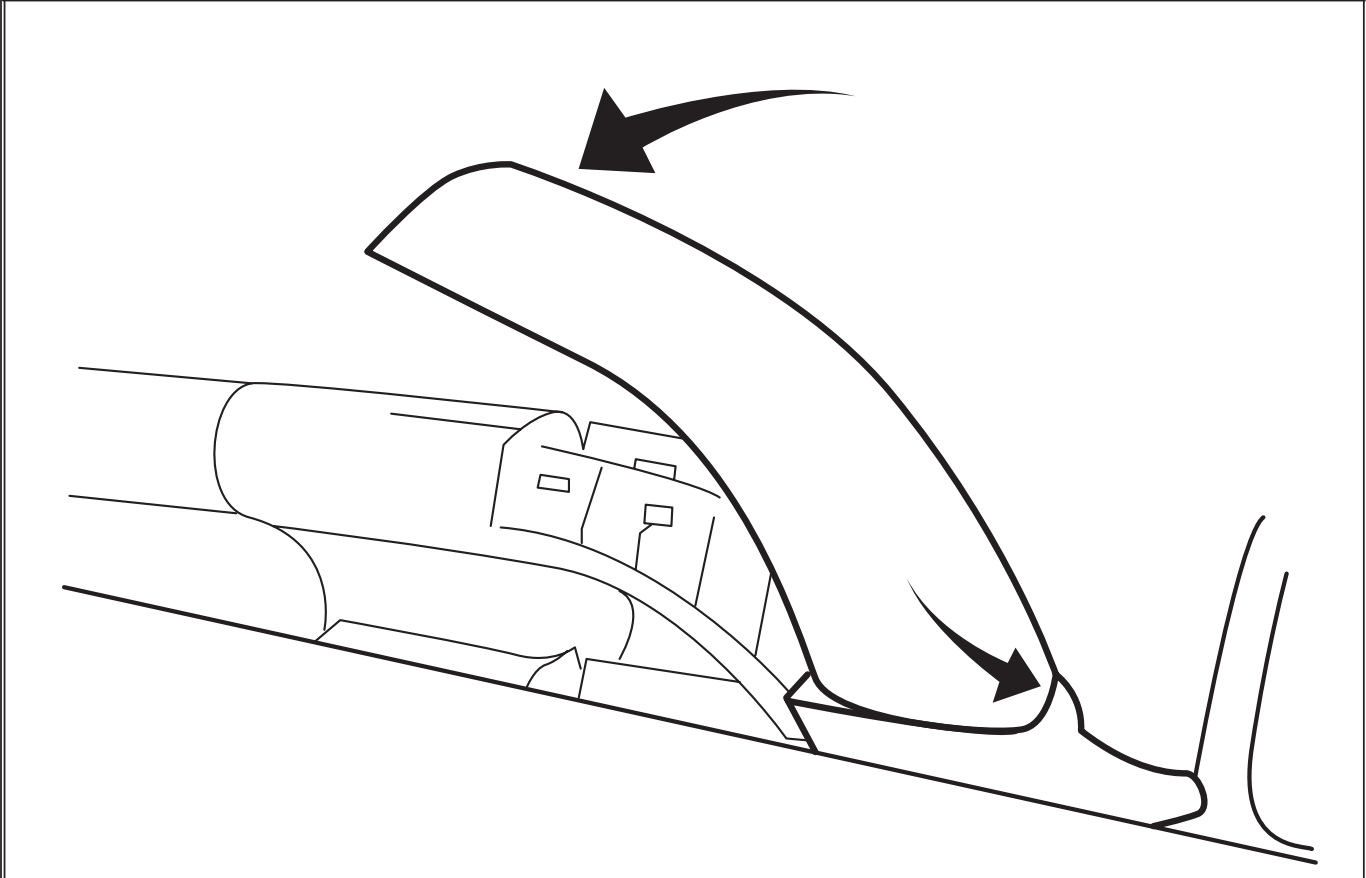
F



G



H



I