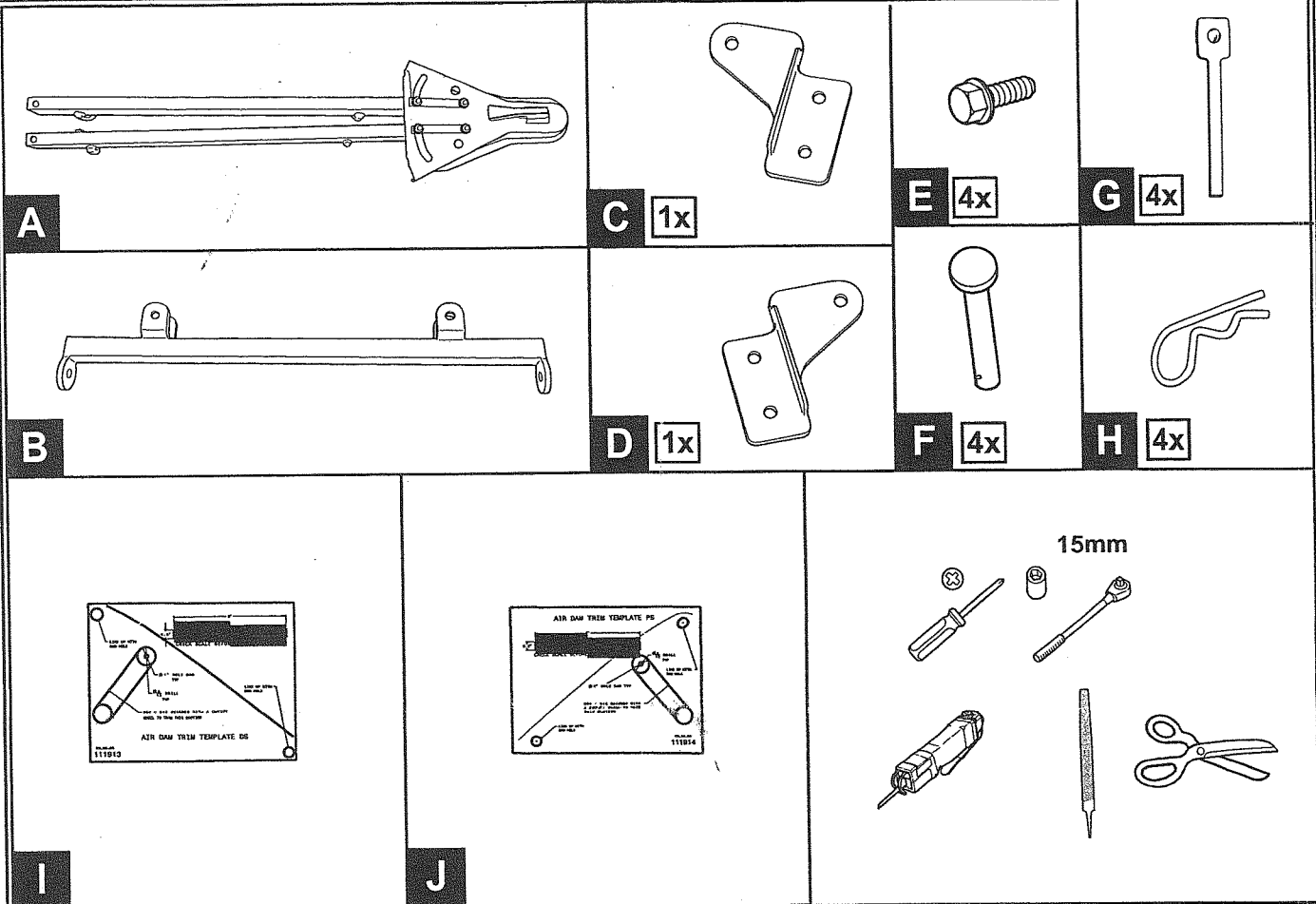


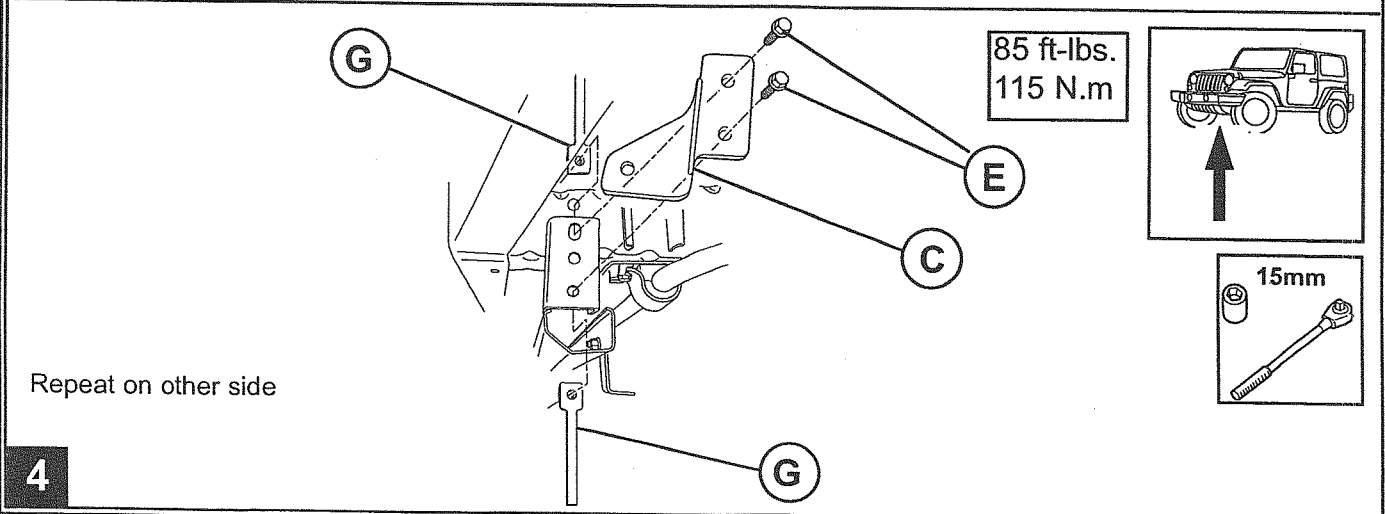
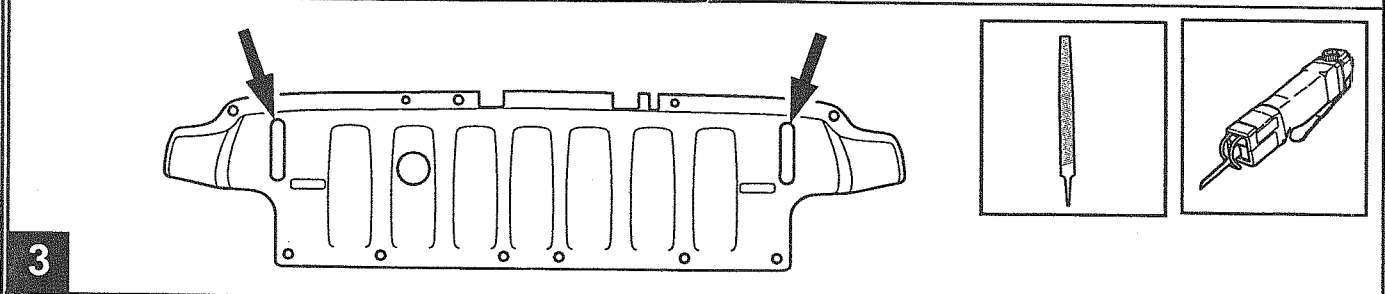
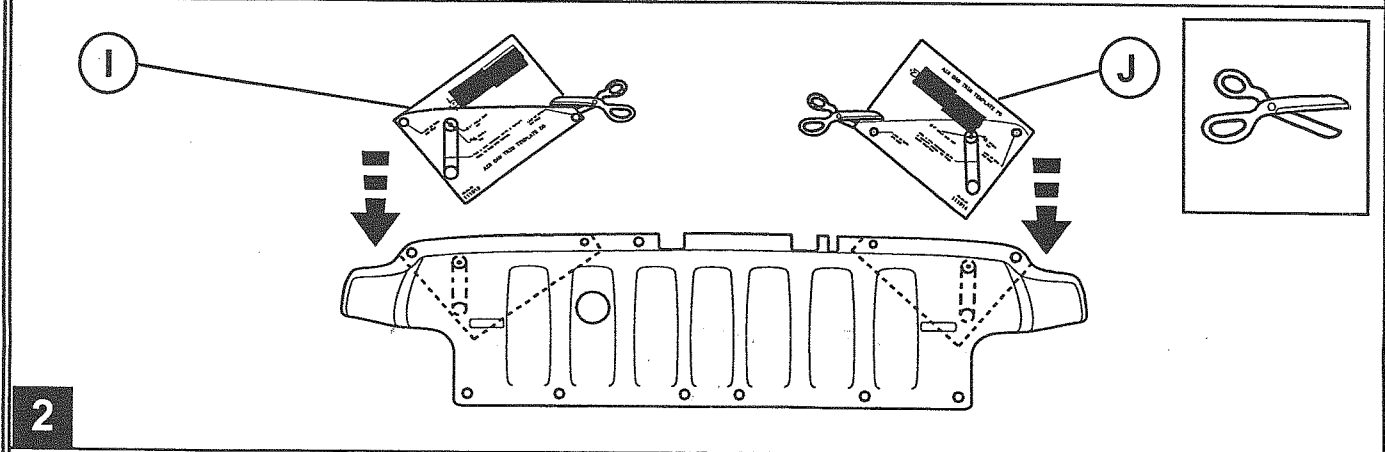
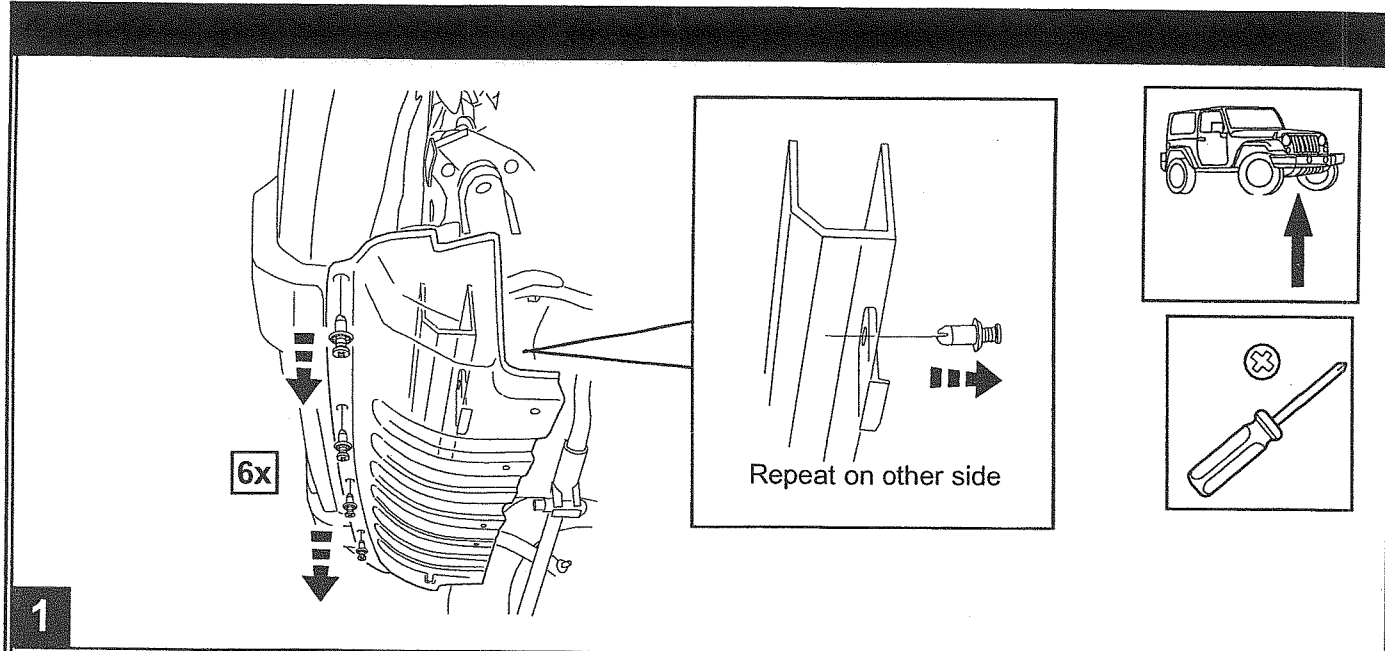


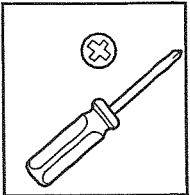
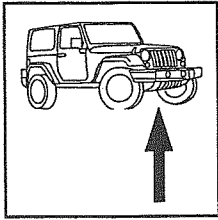
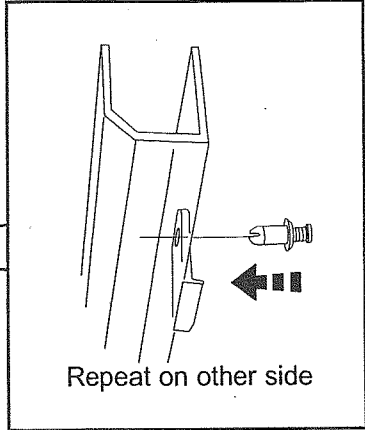
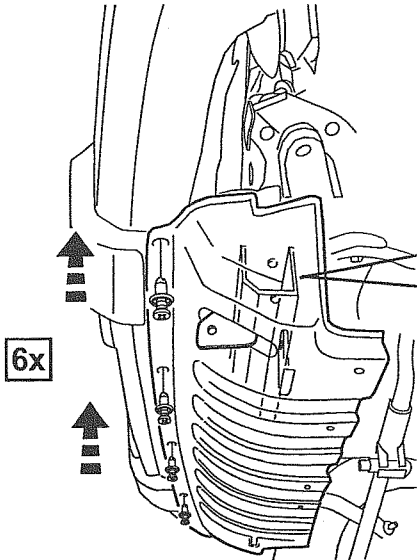
Jeep Wrangler Front Tow Bar



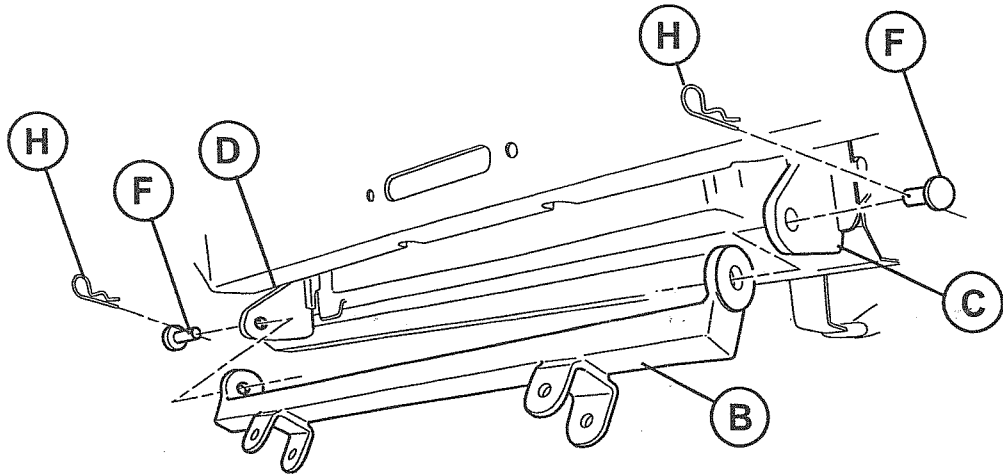
Tow Bar Operating Instructions

1. This tow bar is rated for a max. gross towing weight of 5,000 LBS. When towing make sure the weight of your vehicle and the weight of any options and cargo does not exceed 5,000 LBS. When towing your Wrangler, be sure that it is empty of passengers and cargo and stripped of heavy options and equipment.
2. Never exceed 55 MPH on smooth roads or 20 MPH on rough roads.
3. Never tow another vehicle with a pickup truck or van as this is an inherently unstable condition.
4. Weight of towed vehicle must not exceed weight of towing vehicle.
5. Never back up with tow bar attached.
6. Do not tie or lock steering wheel of towed vehicle. Leave ignition key in steering unlocked position.
7. Do not allow anyone to ride in towed vehicle.
8. Do not stop or start suddenly. Brake smoothly.
9. Always use proper safety chains.
10. Never turn from a stop. Pull ahead a few feet before entering a turn. Never turn too sharply.
11. Stop and check tightness of tow bar after 50 feet of towing and every 50 miles there after.
12. Check towing vehicle hitch to insure its rating is at least equal to the weight of the towing vehicle.
13. Do not pass other vehicles. If passing is a must, do so slowly and smoothly. Jerky movements may cause loss of control.
14. Check lighting requirements and all local laws before beginning your trip.
15. Consult your owner's manual for the recommended towing procedures.

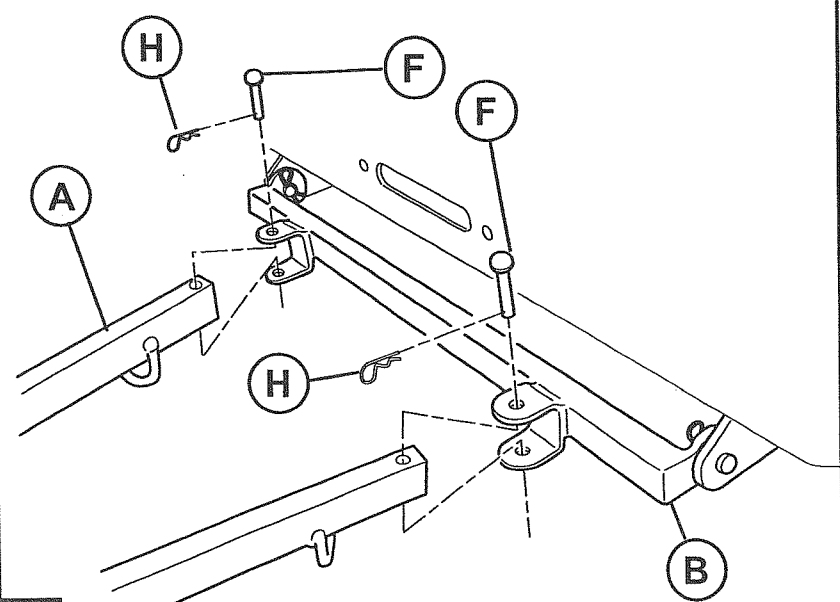




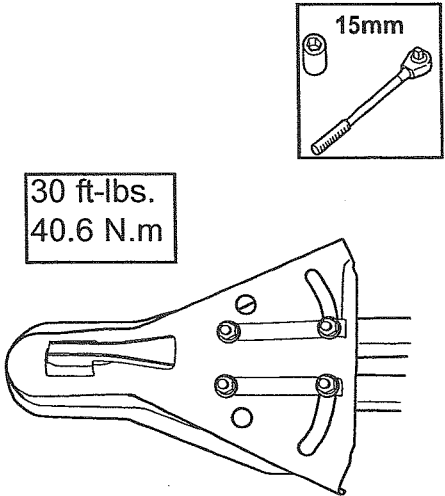
5



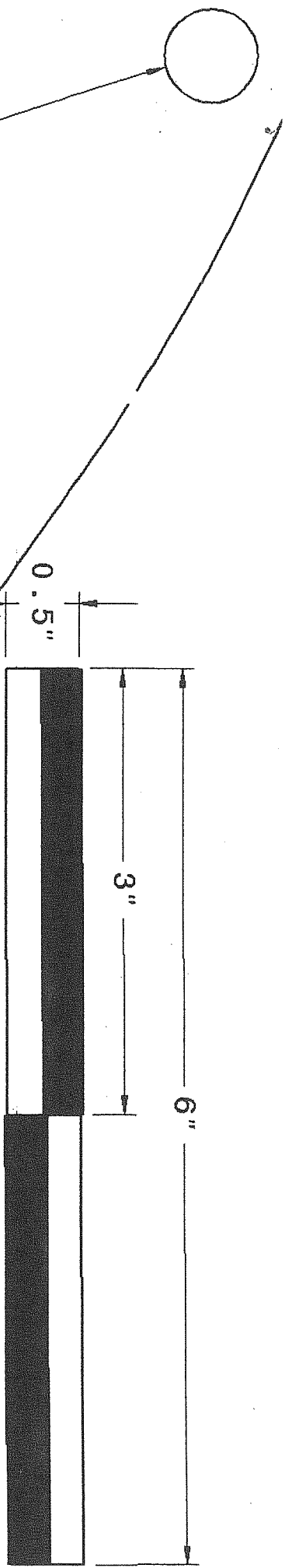
6



7



8



LINE UP WITH
DAM HOLE

CHECK SCALE BEFORE USING TEMPLATE

0.5"

3"

6"

∅ 1" HOLE SAW
TYP

∅ $\frac{3}{16}$ DRILL
TYP

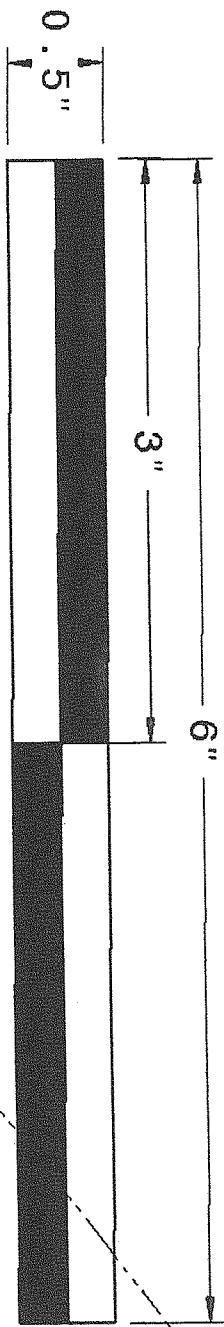
USE A DIE GRINDER WITH A CUTOFF
WHEEL TO TRIM THIS SECTION

LINE UP WITH
DAM HOLE

AIR DAM TRIM TEMPLATE .DS

06.27.06

AIR DAM TRIM TEMPLATE PS



CHECK SCALE BEFORE USING TEMPLATE

USE A DIE GRINDER WITH
A CUTOFF WHEEL TO TRIM
THIS SECTION

Ø 1" HOLE SAW TYP

Ø $\frac{3}{16}$ DRILL
TYP

LINE UP WITH
DAM HOLE

LINE UP WITH
DAM HOLE

06.27.06