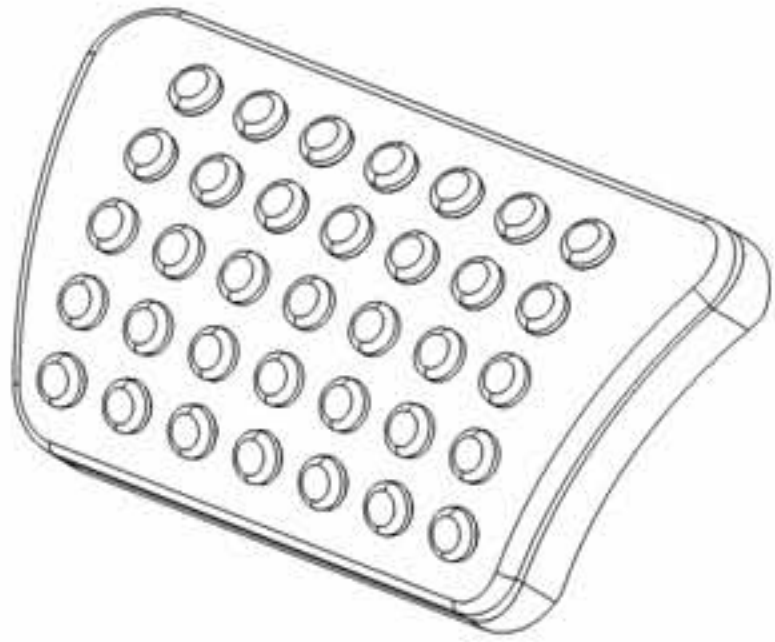


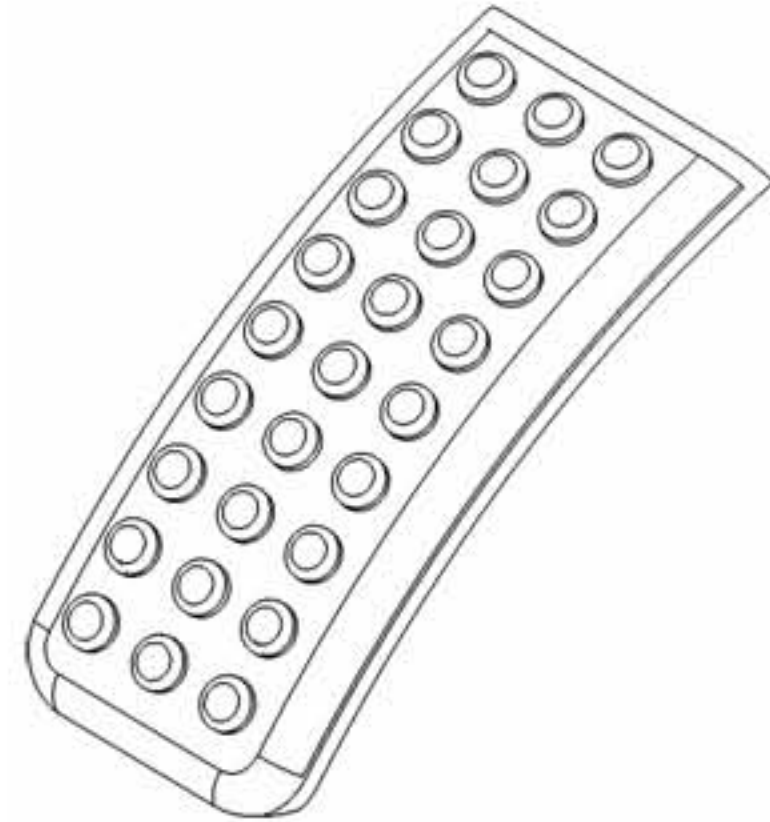


JEEP COMPASS DODGE CALIBER

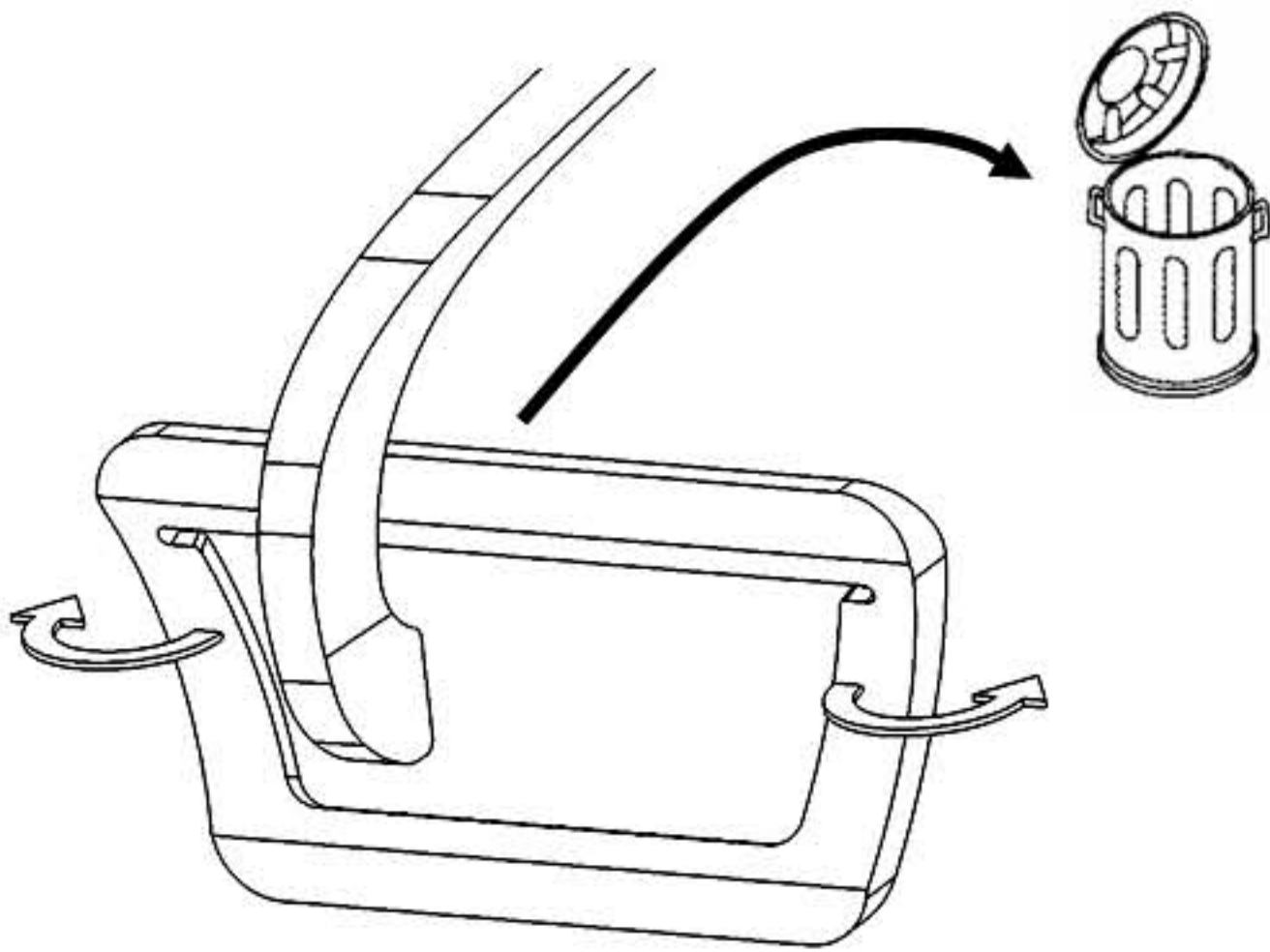
Accelerator and Brake Pedals



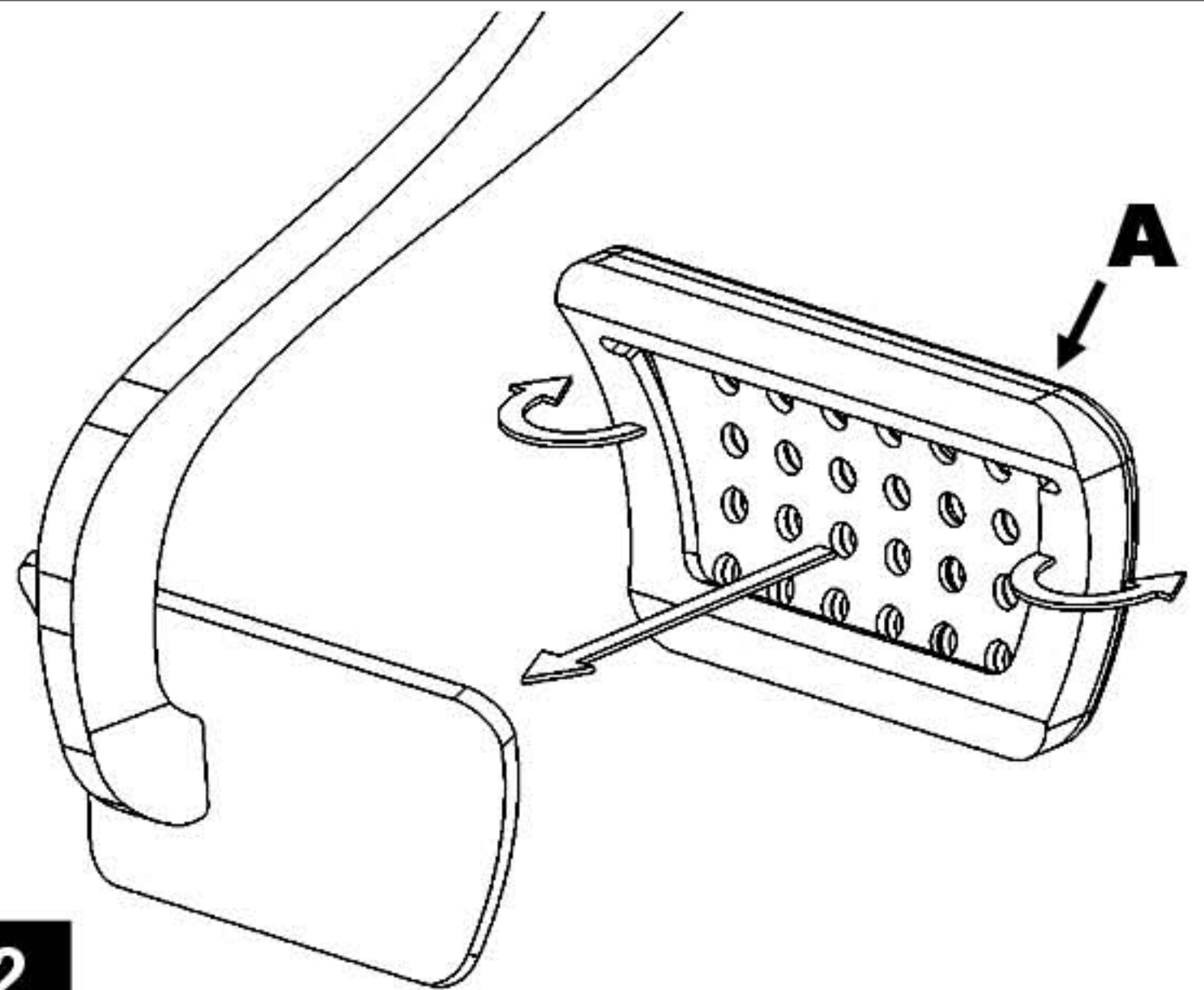
A



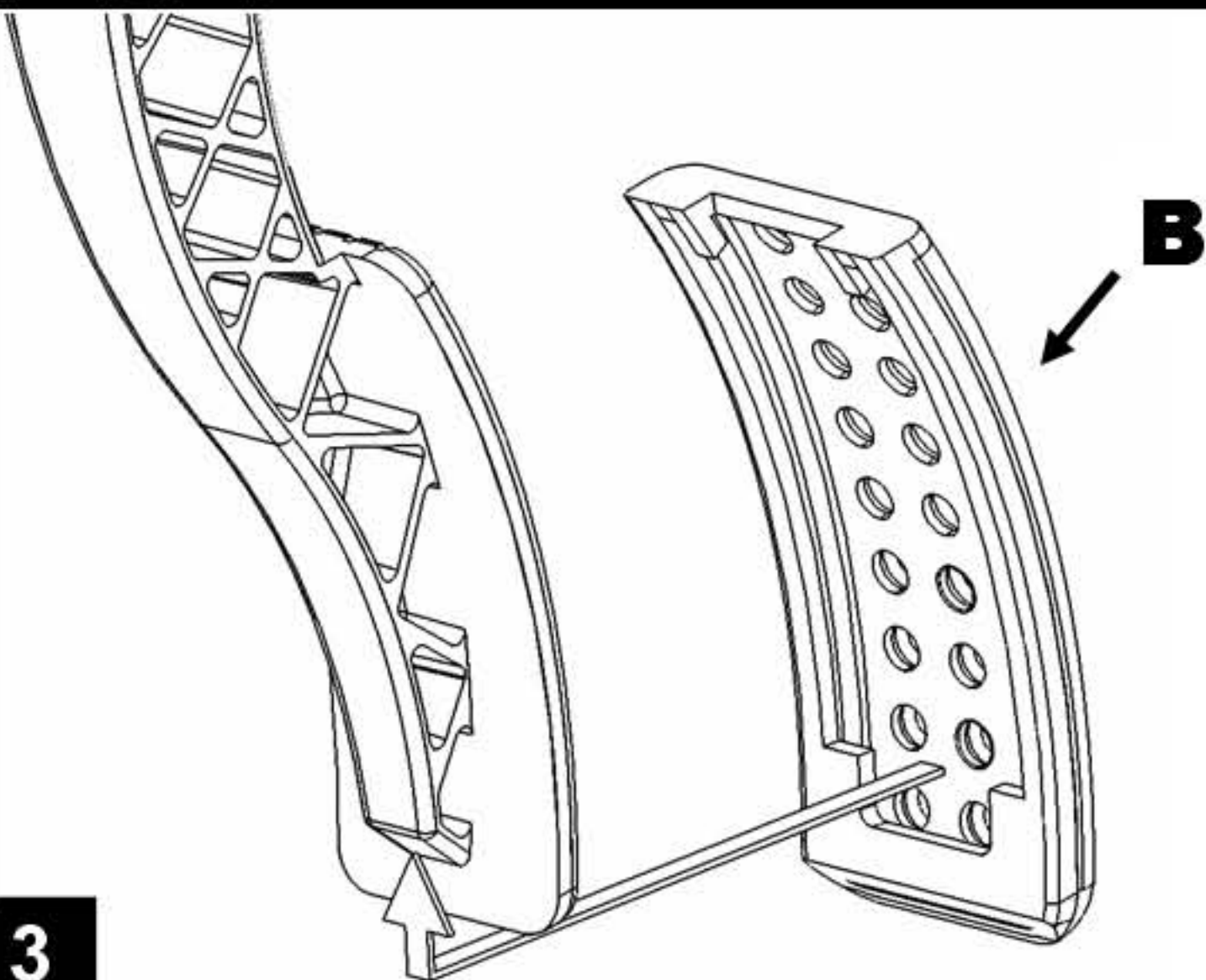
B



1



2



3

