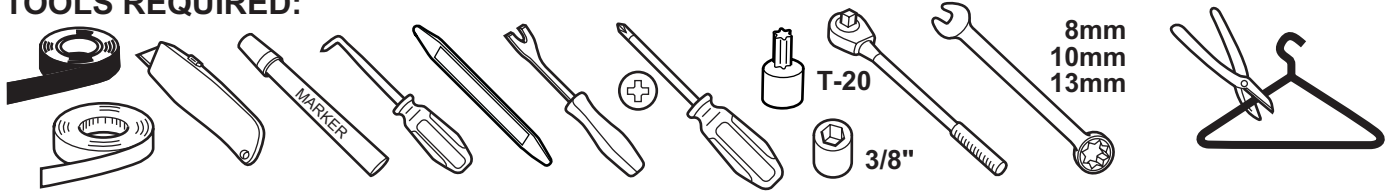




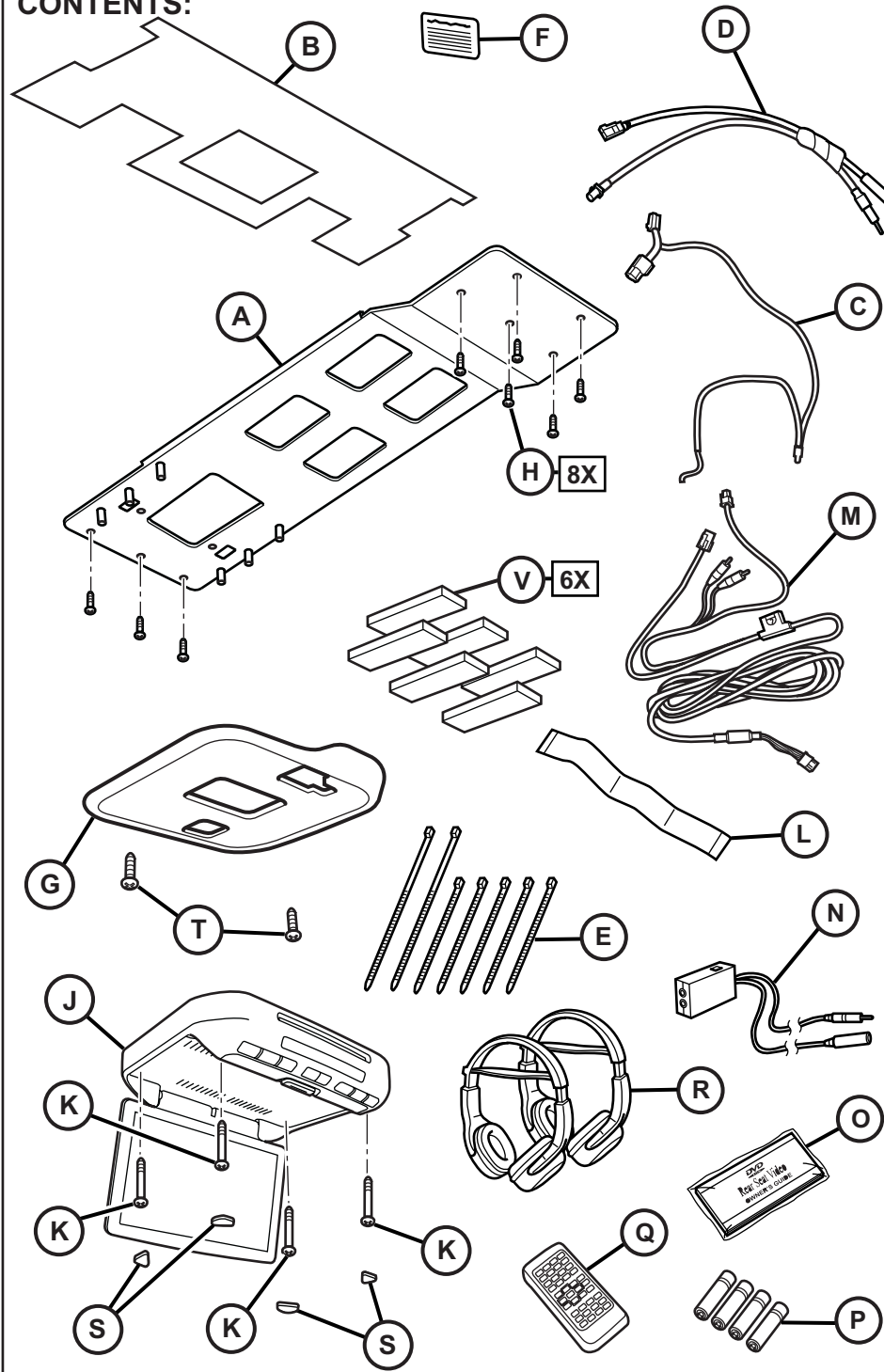
JEEP LIBERTY

10" Video Entertainment System

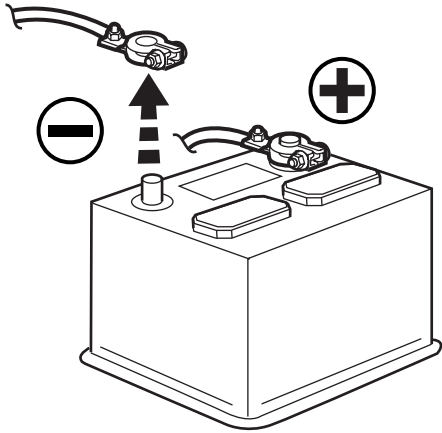
TOOLS REQUIRED:



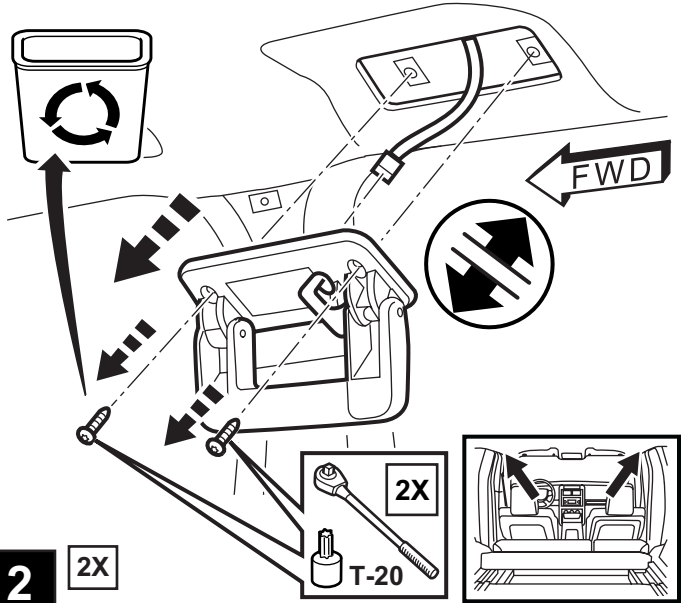
CONTENTS:



| Item | Qty. | Description |
|------|------|-----------------------|
| (A) | 1 | Mounting Bracket |
| (B) | 1 | Template |
| (C) | 1 | T-Harness |
| (D) | 1 | Antenna Adapter |
| (E) | 7 | Tie Straps |
| (F) | 1 | Mercury Warning Label |
| (G) | 1 | Shroud |
| (H) | 8 | Self-tapping Screws |
| (J) | 1 | DVD Unit |
| (K) | 4 | DVD Mounting Screws |
| (L) | 1 | Foam Tape |
| (M) | 1 | Wire Harness |
| (N) | 1 | FM Modulator |
| (O) | 1 | Owner's Manual |
| (P) | 4 | Batteries |
| (Q) | 1 | DVD Remote Control |
| (R) | 2 | Headphones |
| (S) | 4 | Screw Cover |
| (T) | 2 | Shroud Screws |
| (U) | 4 | J-nuts |
| (V) | 6 | Foam Tape |
| (W) | 1 | Heat Shrink |

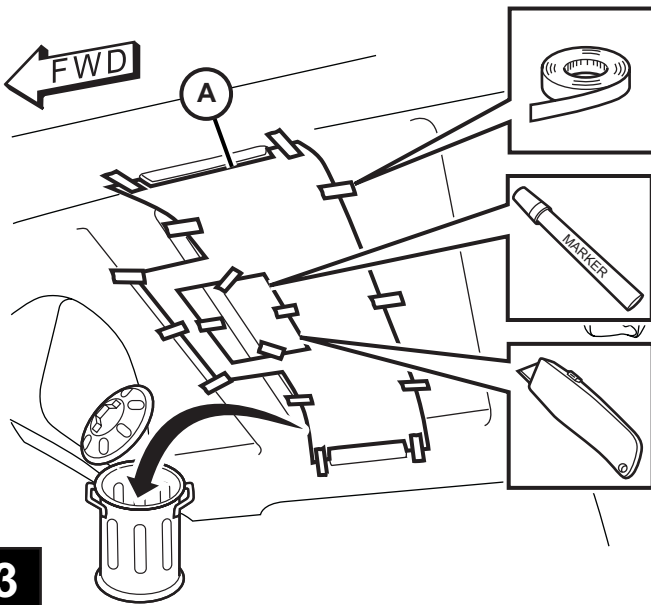


1

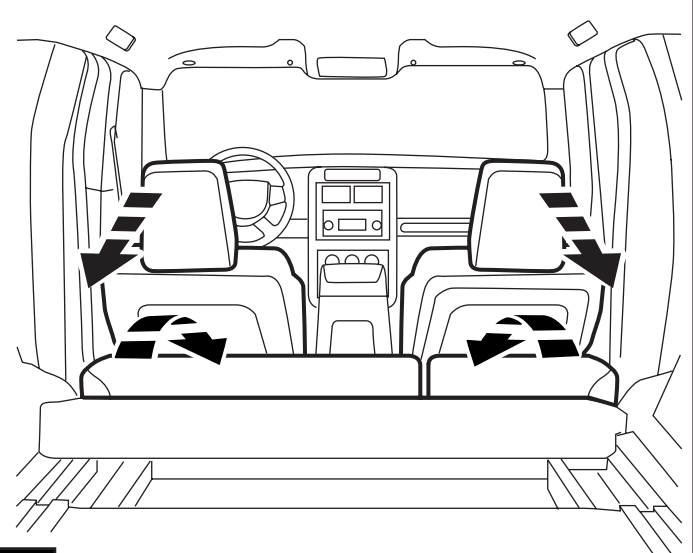


2

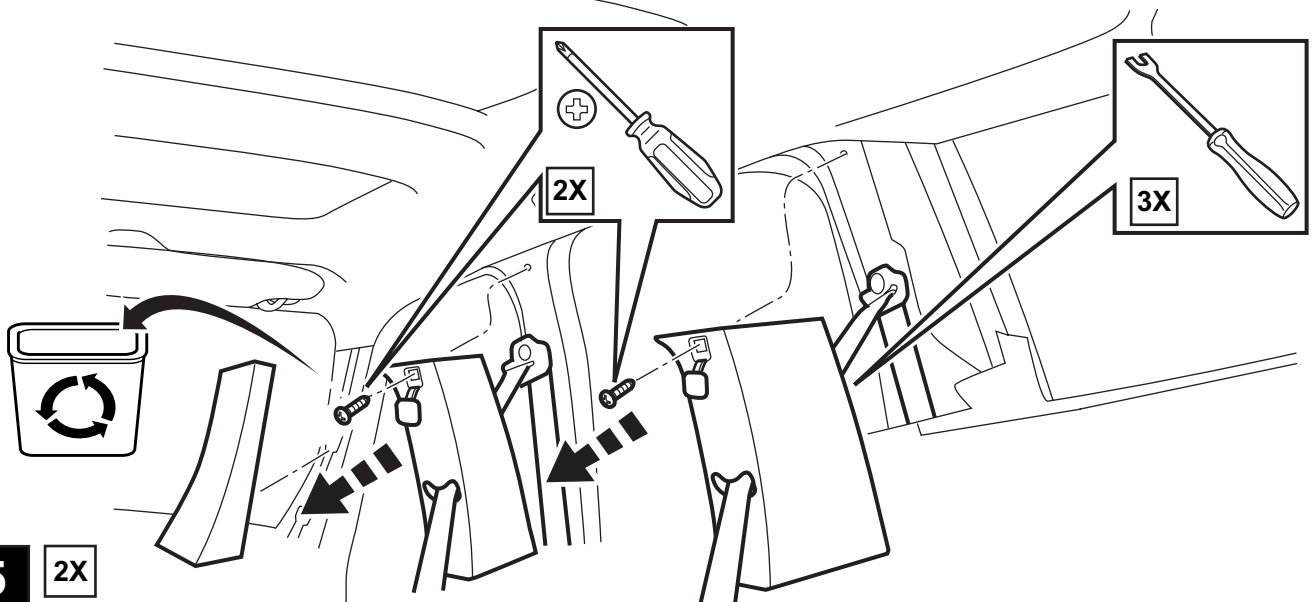
2X



3



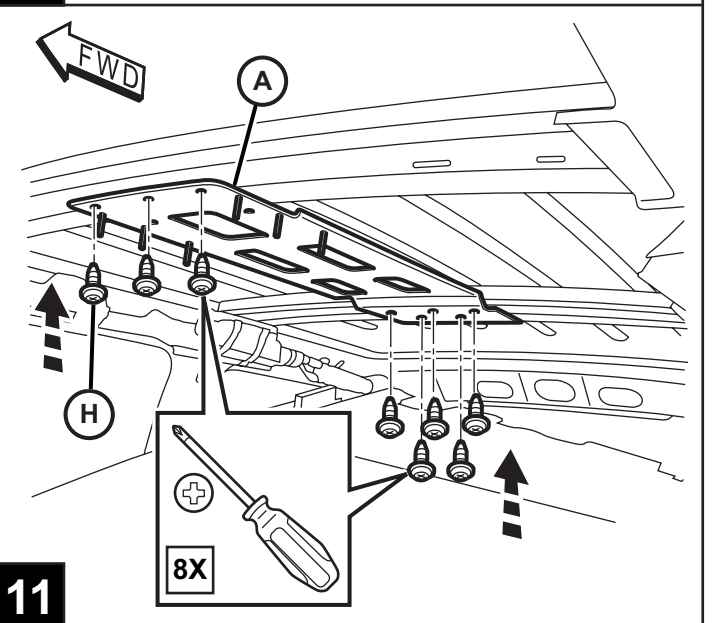
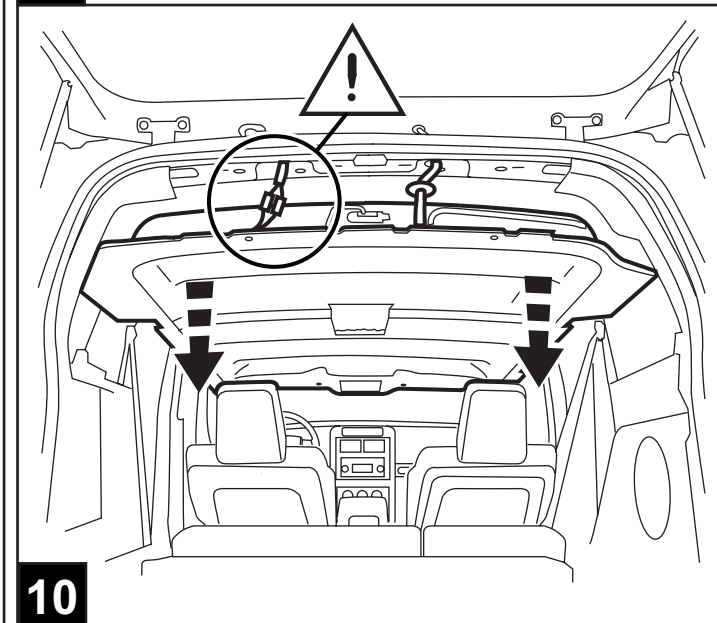
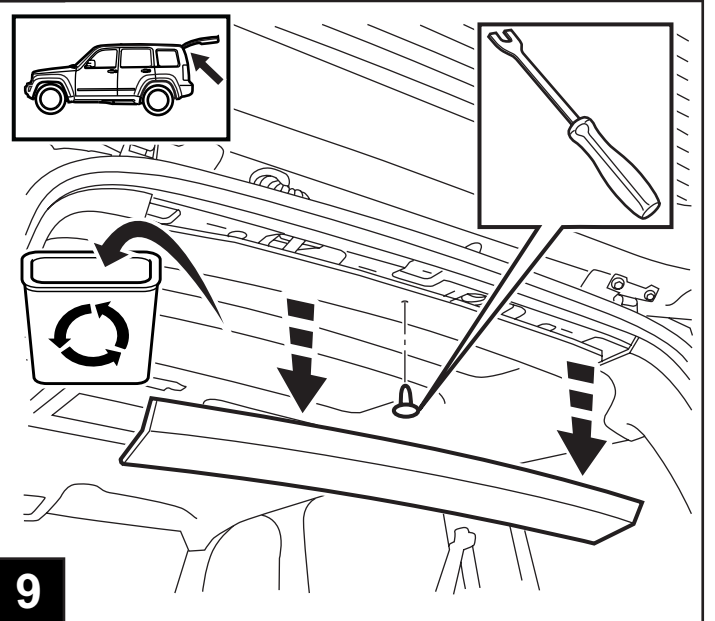
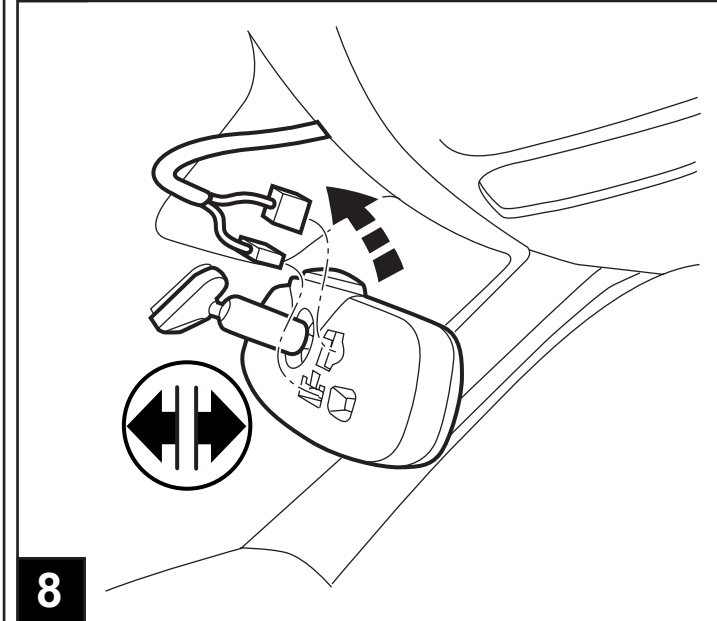
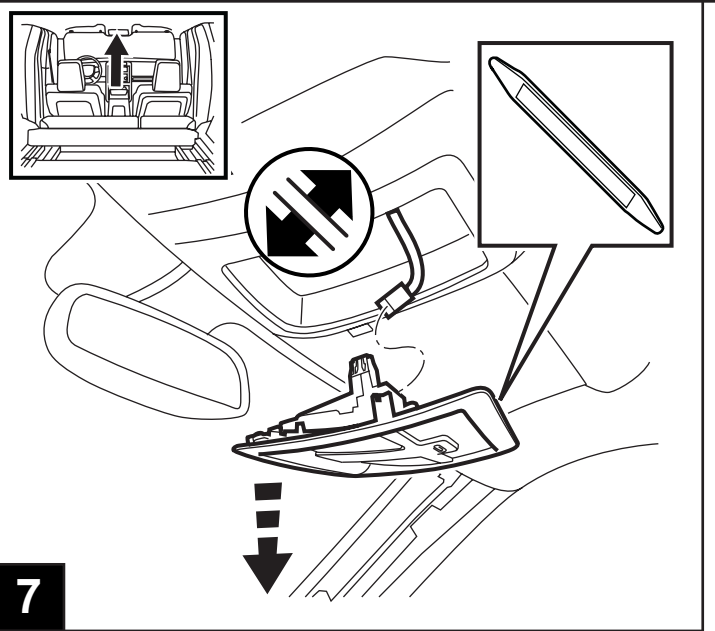
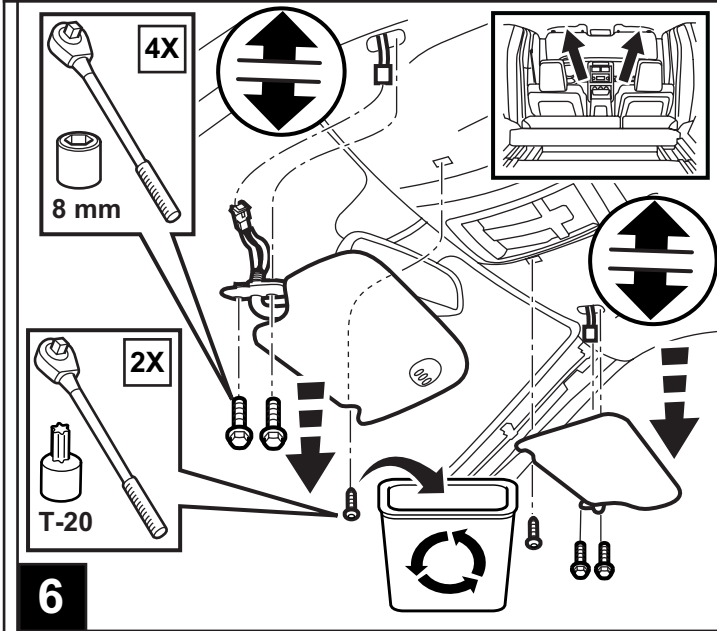
4

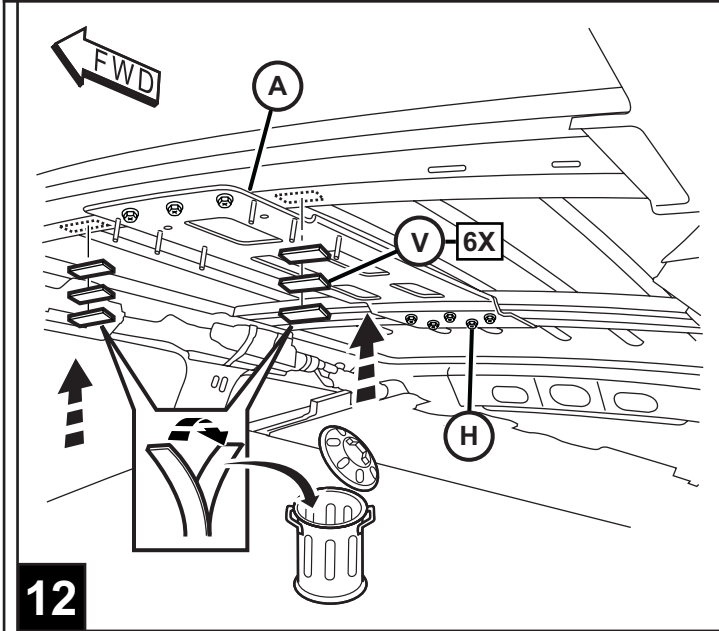


5

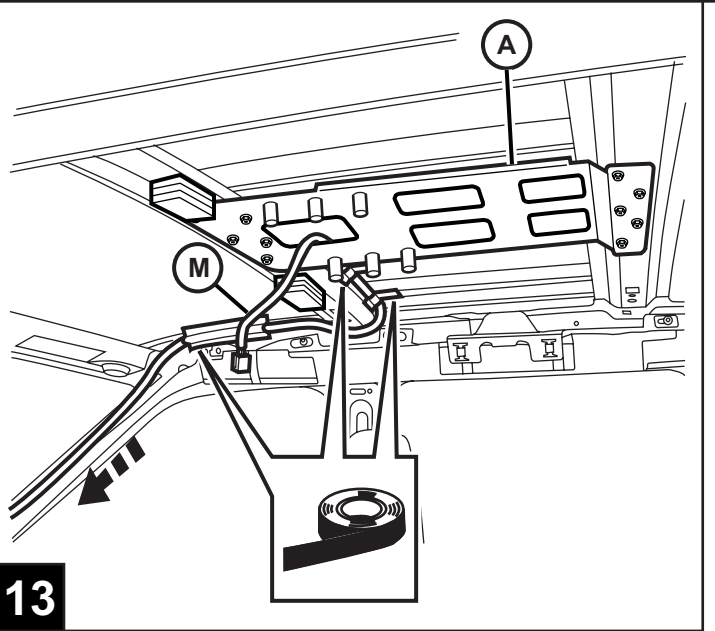
2X

3X

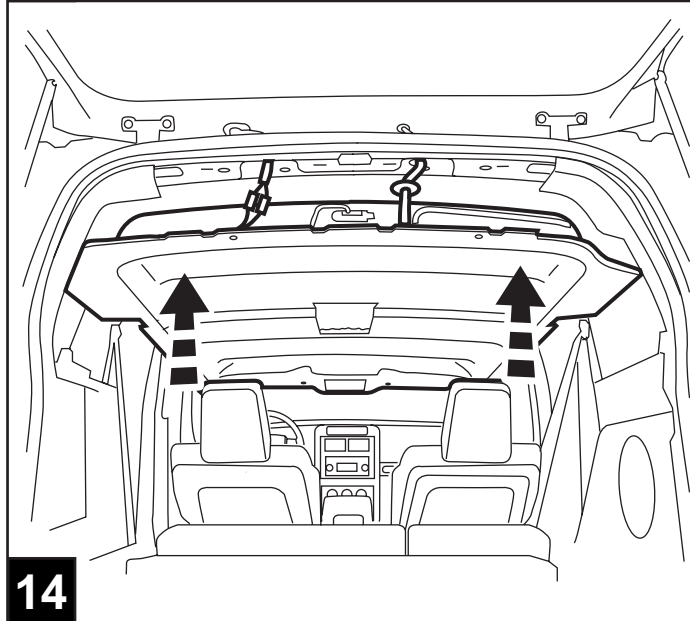




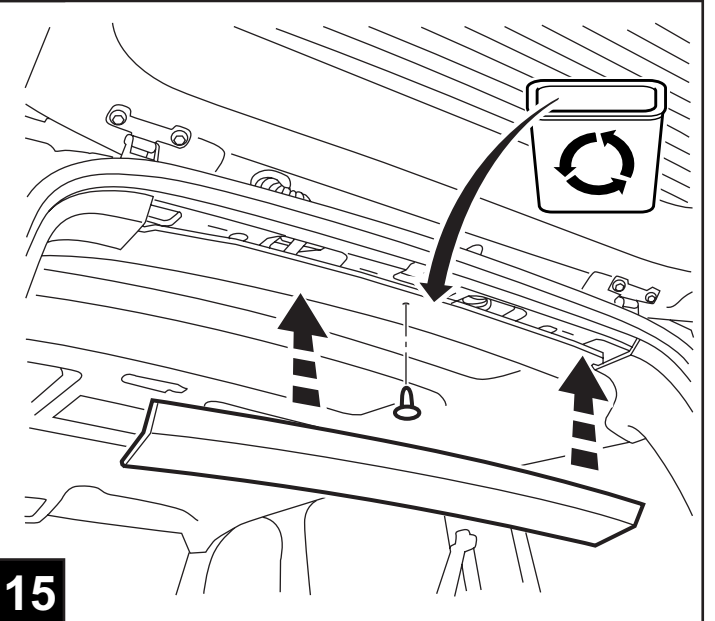
12



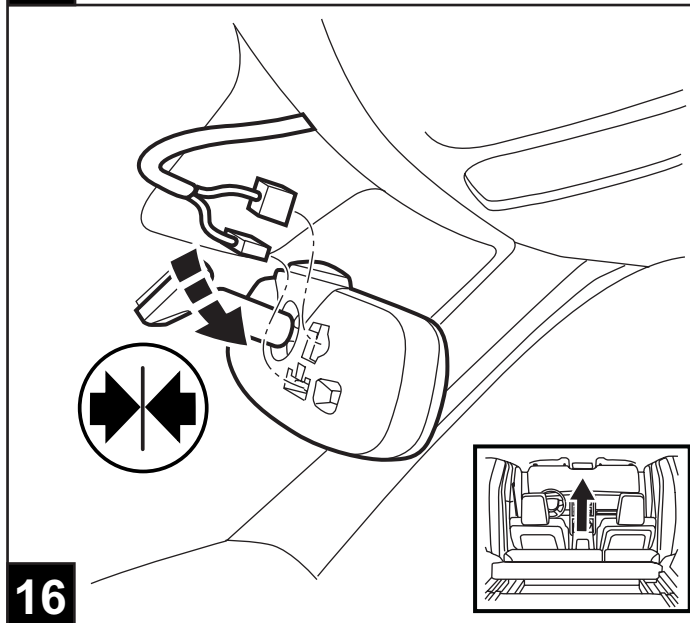
13



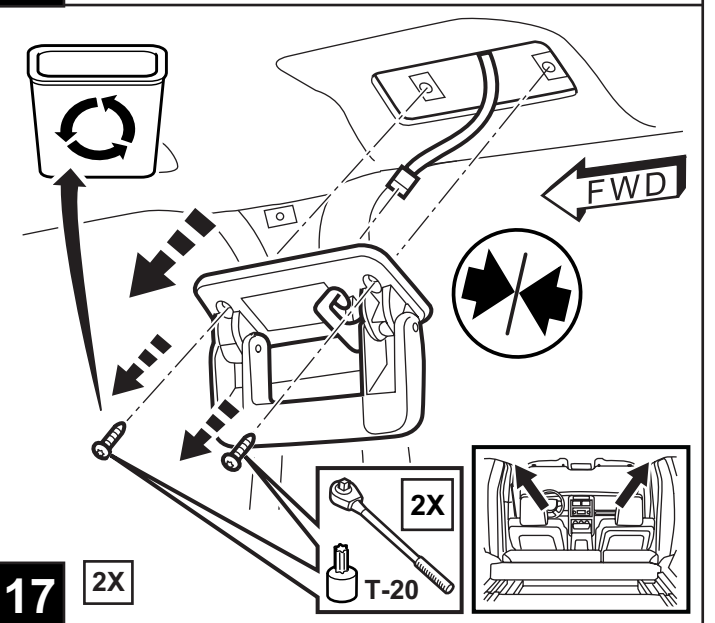
14



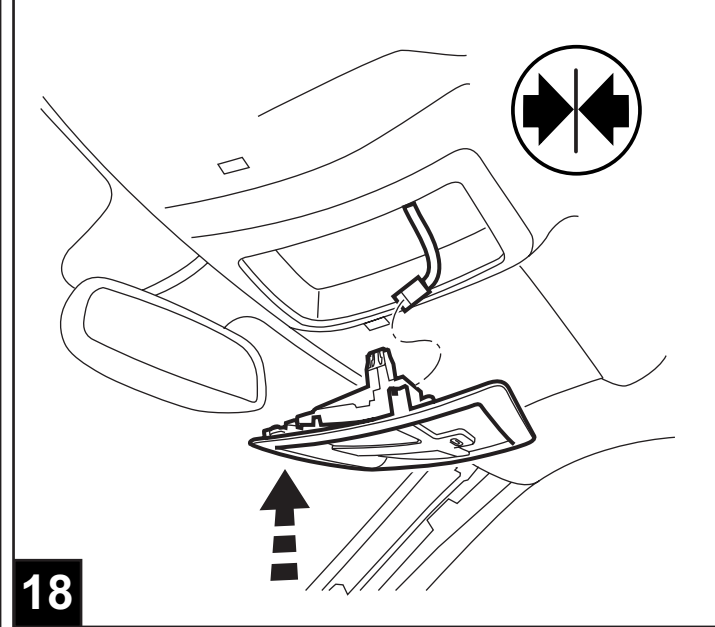
15



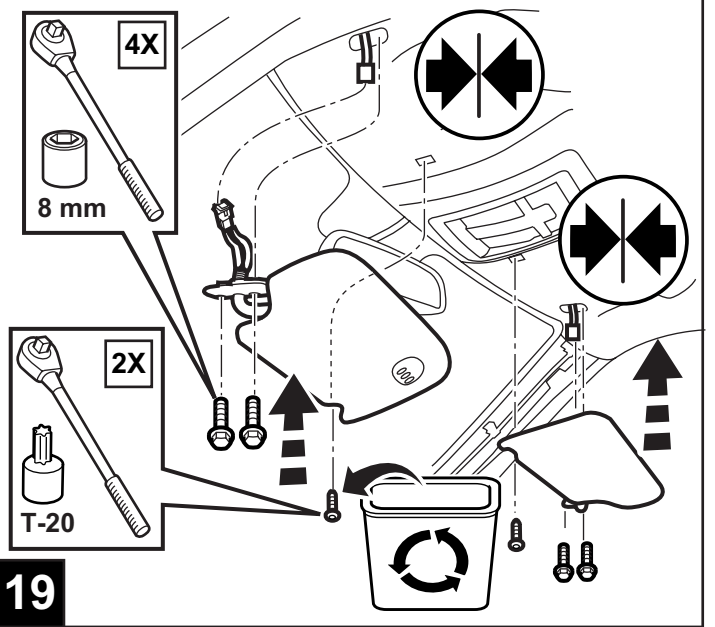
16



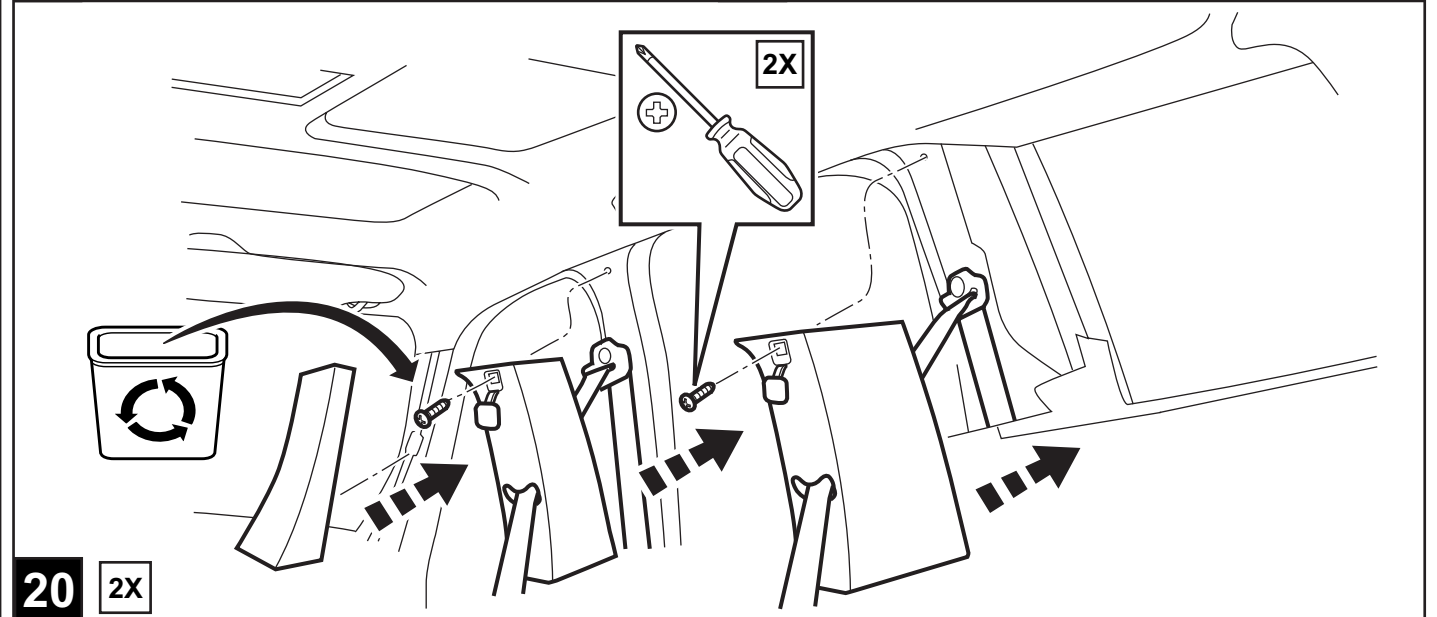
17



18

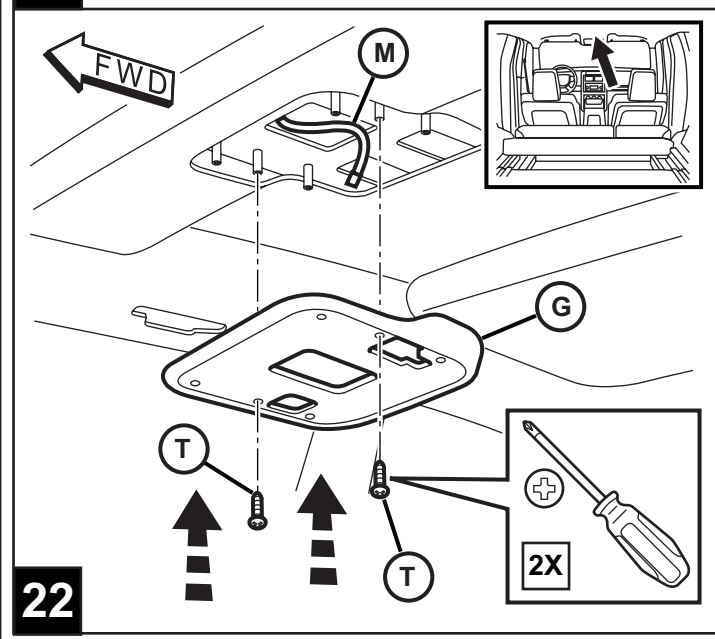


19

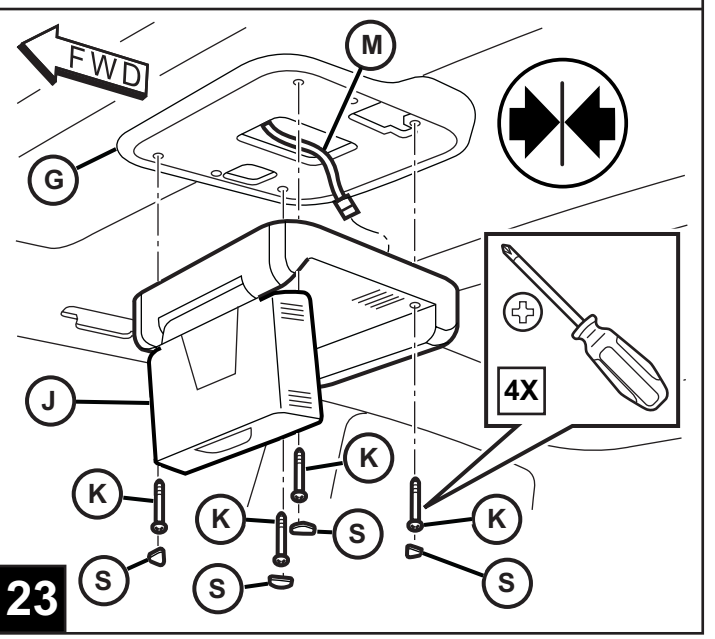


20

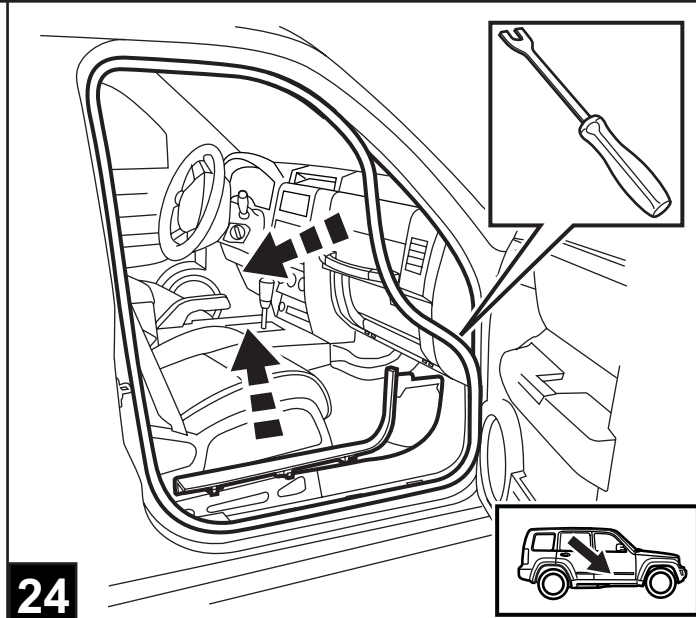
2X



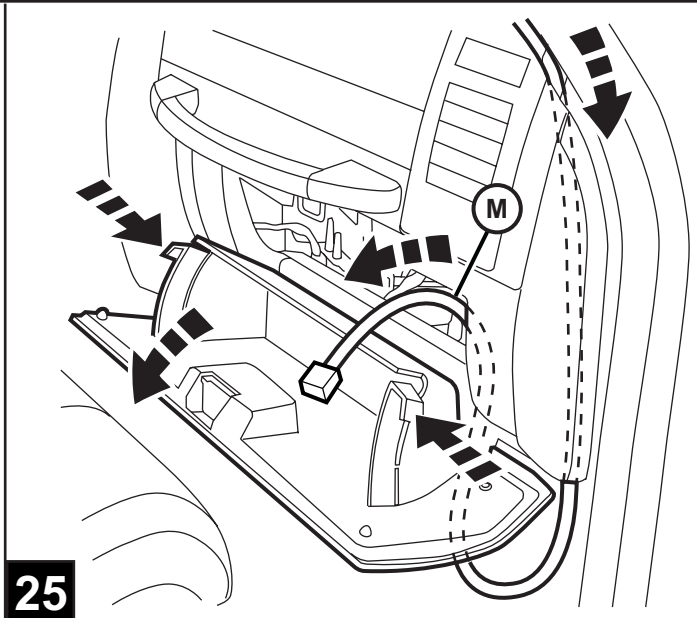
22



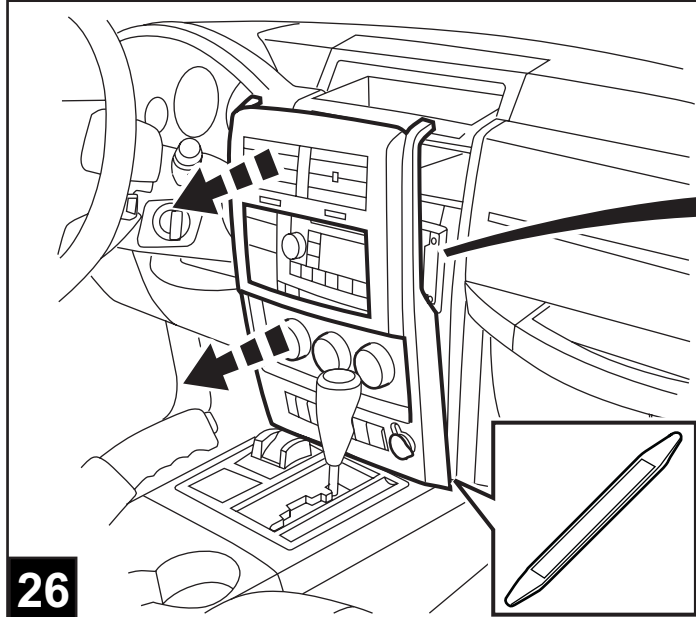
23



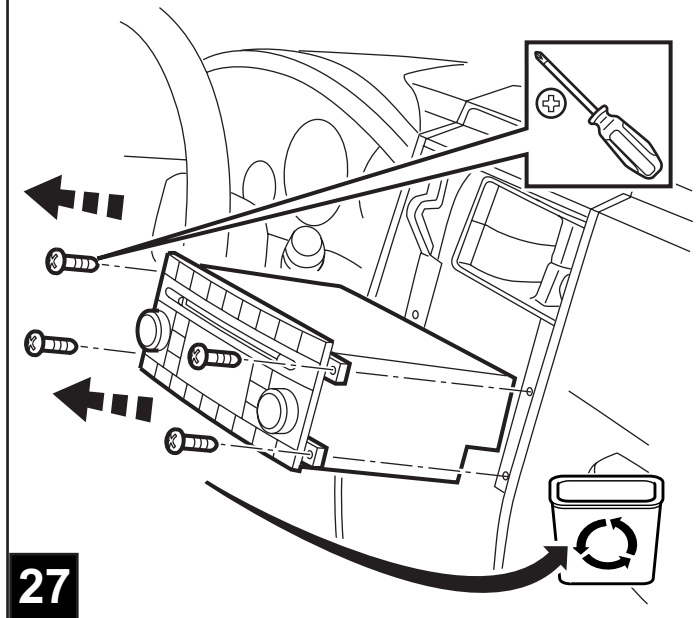
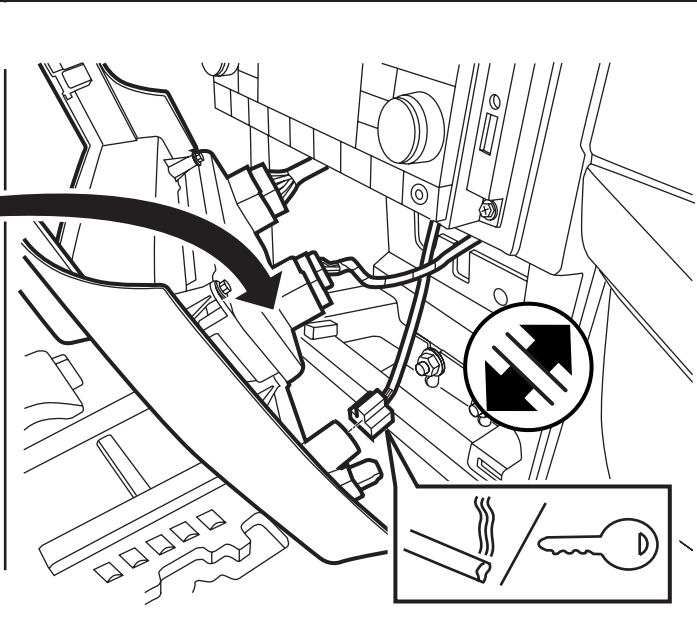
24



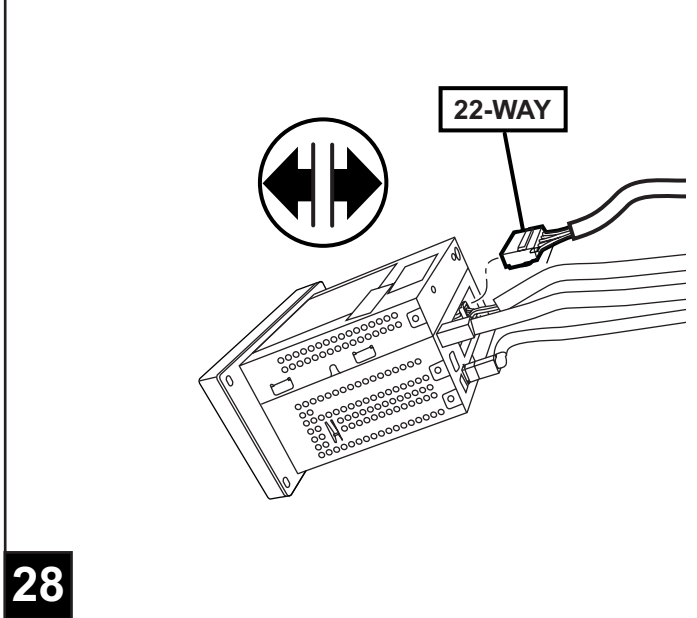
25



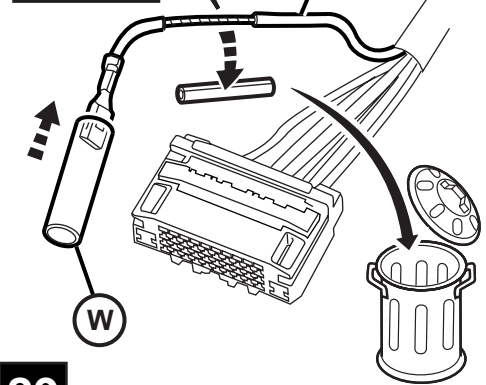
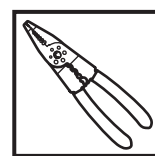
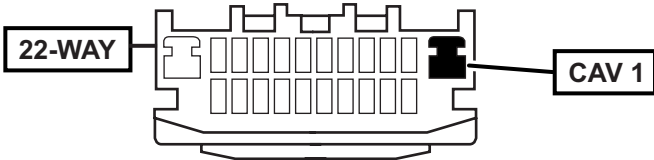
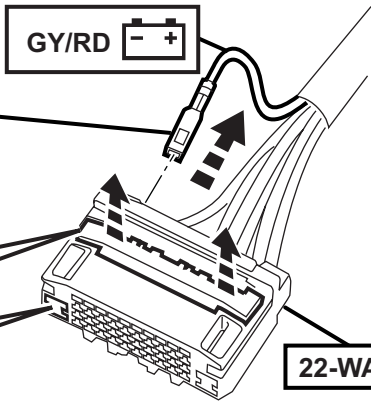
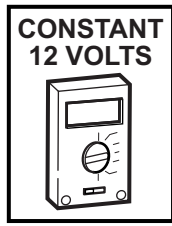
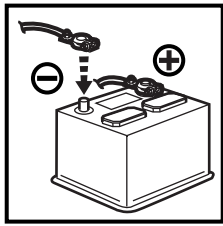
26



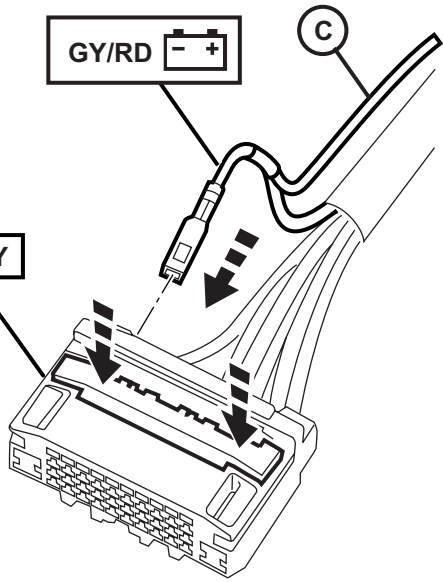
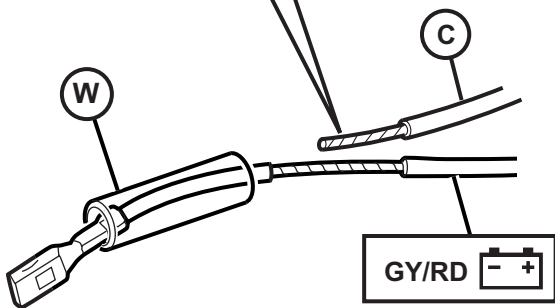
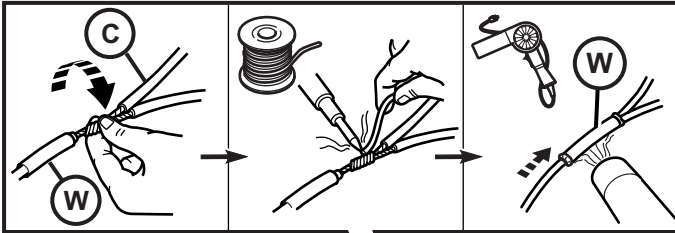
27



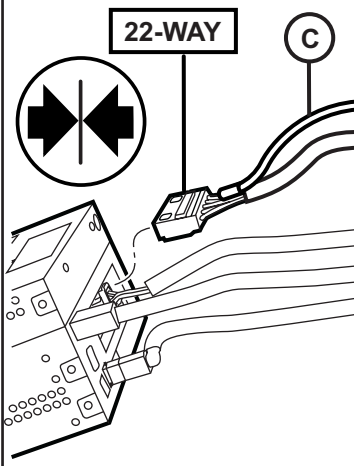
28



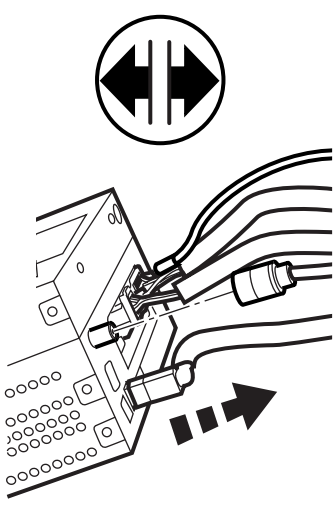
29



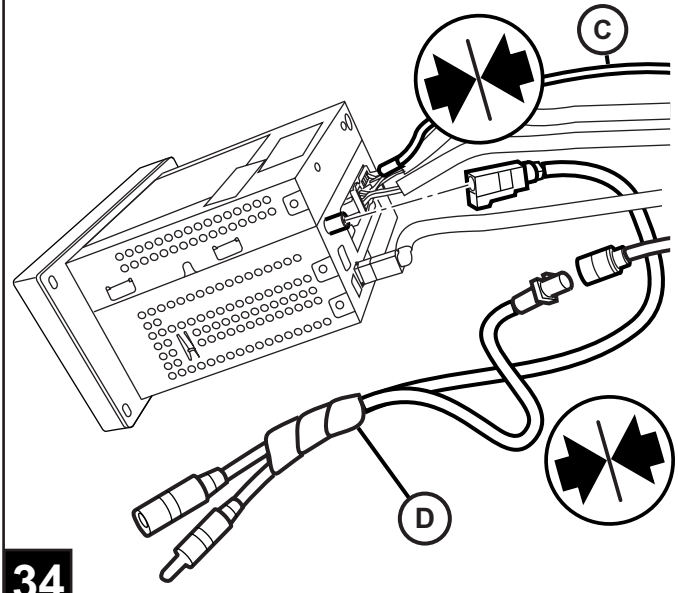
30



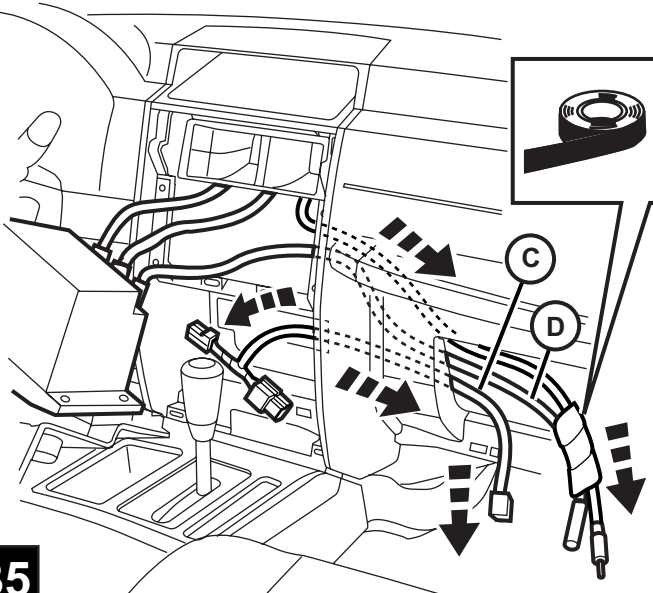
32



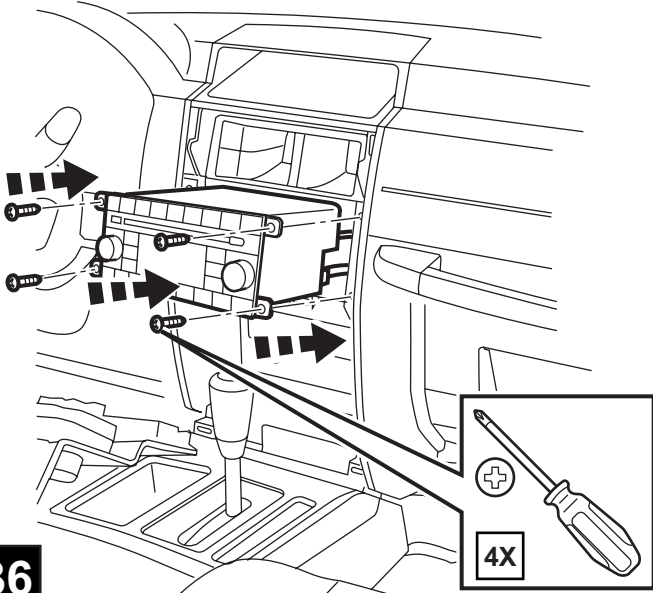
33



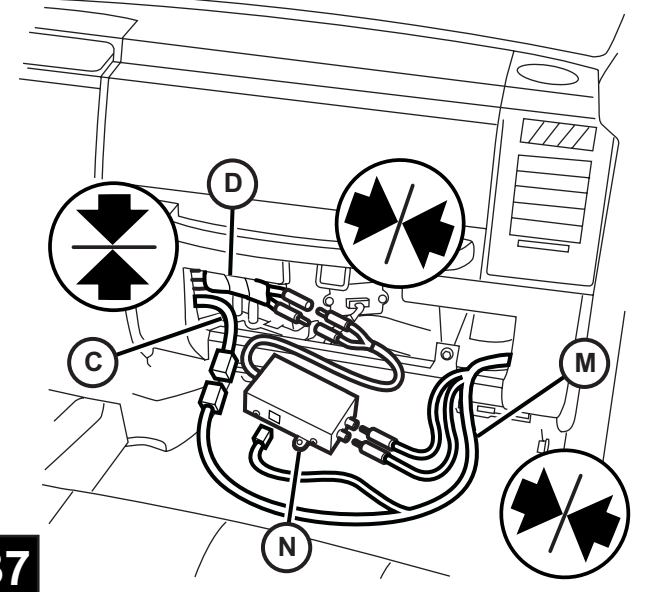
34



35



36



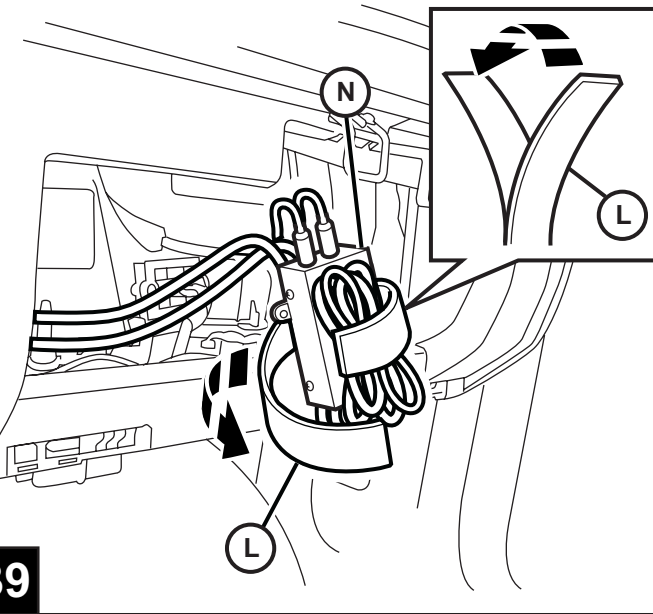
37

FM MODULATOR (ITEM "N") DIP SWITCH SETTINGS FOR NAFTA/BUX FREQUENCIES.

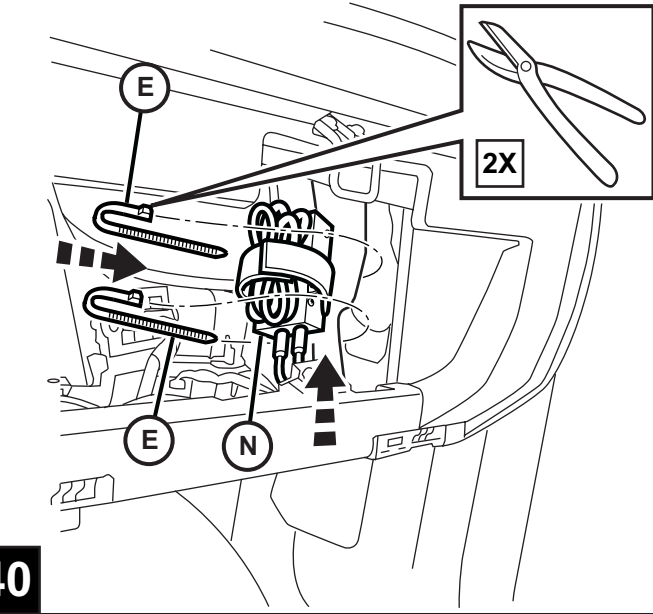
| | | | | | | | |
|-----|----|---|---|---|---|------|----------|
| OFF | ON | 1 | 2 | 3 | 4 | 87.9 | BUX ONLY |
| OFF | ON | 1 | 2 | 3 | 4 | 88.1 | |
| OFF | ON | 1 | 2 | 3 | 4 | 88.3 | |
| OFF | ON | 1 | 2 | 3 | 4 | 88.5 | |
| OFF | ON | 1 | 2 | 3 | 4 | 88.7 | |
| OFF | ON | 1 | 2 | 3 | 4 | 88.9 | |

US/CAN

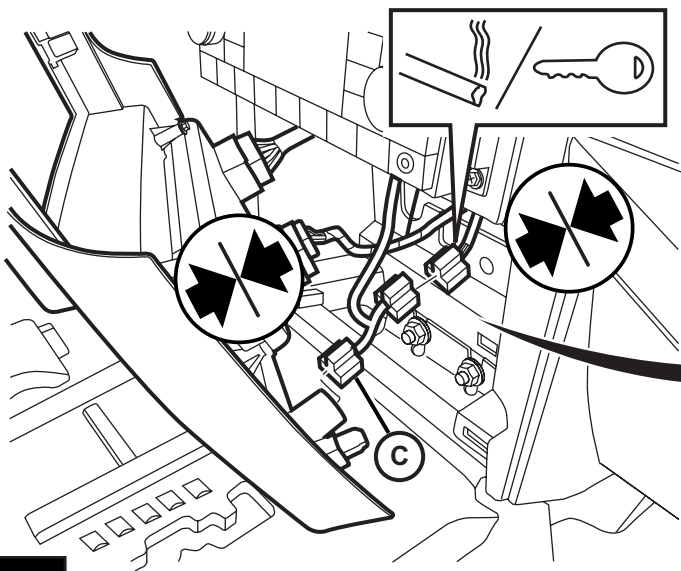
38



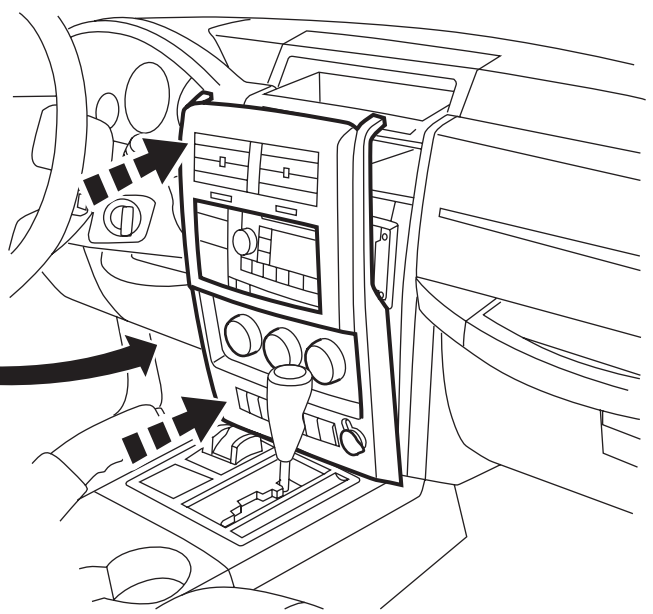
39



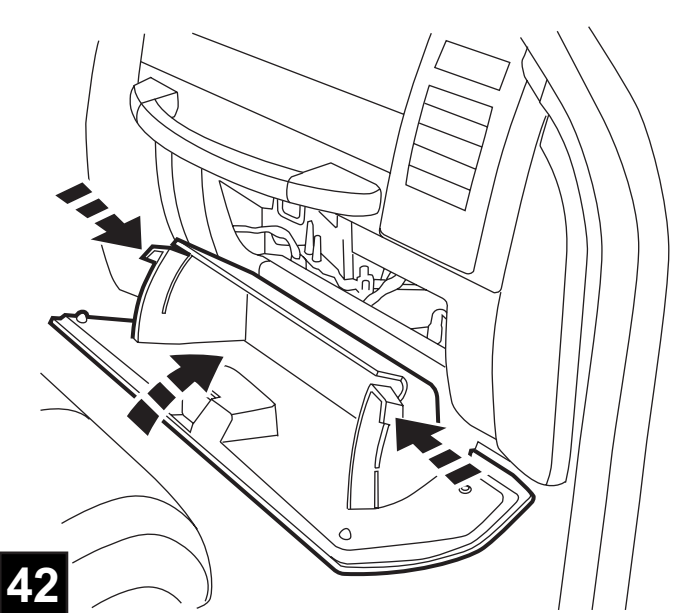
40



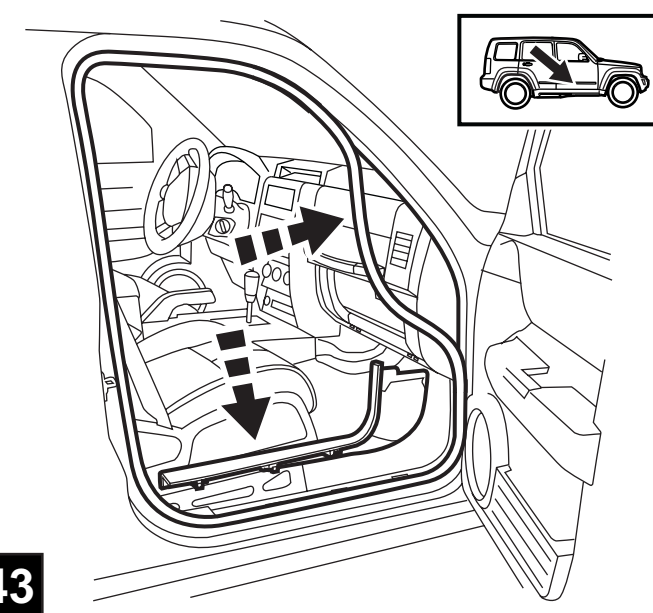
41



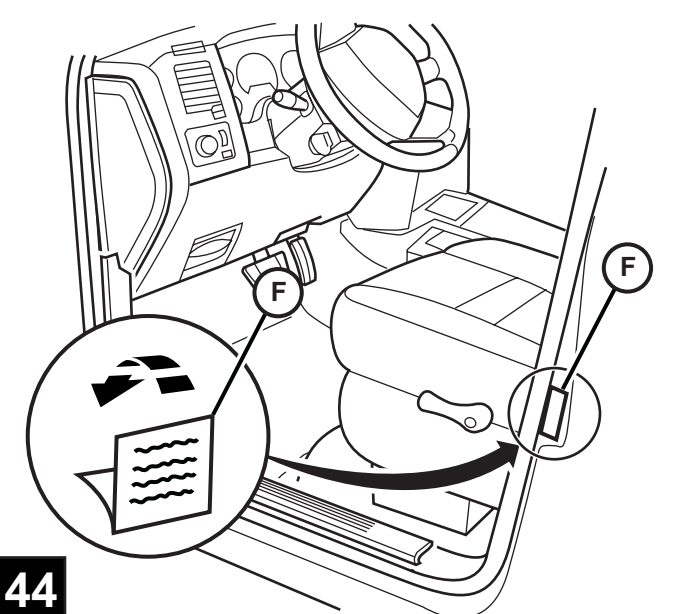
42



43



44



45

