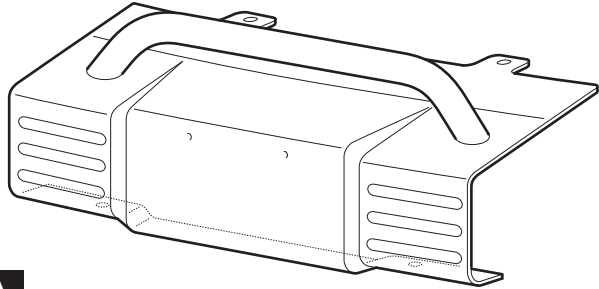


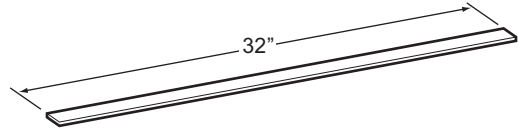


JEEP LIBERTY

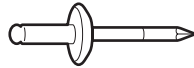
Guard Kit - Tubular Front



A



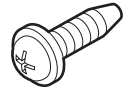
B



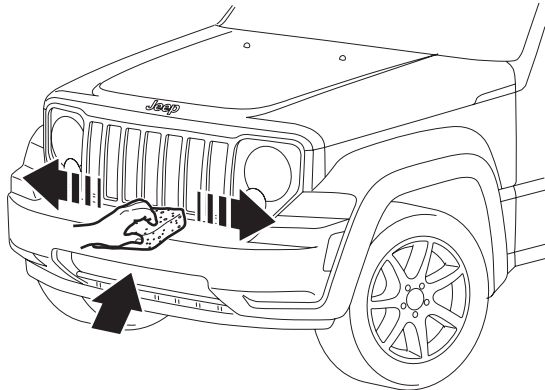
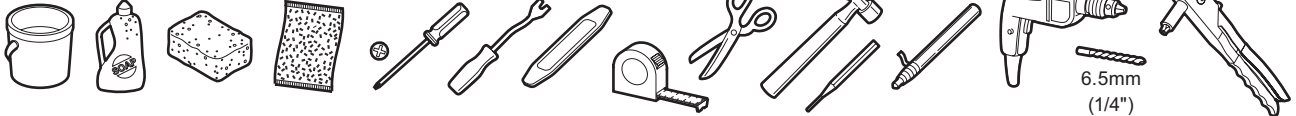
C 4x



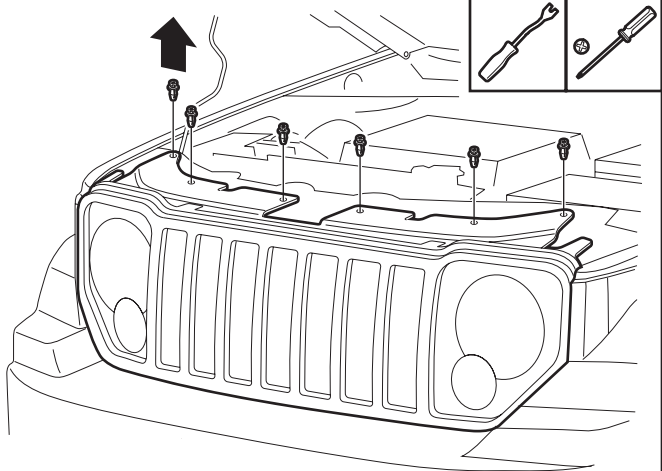
D 2x



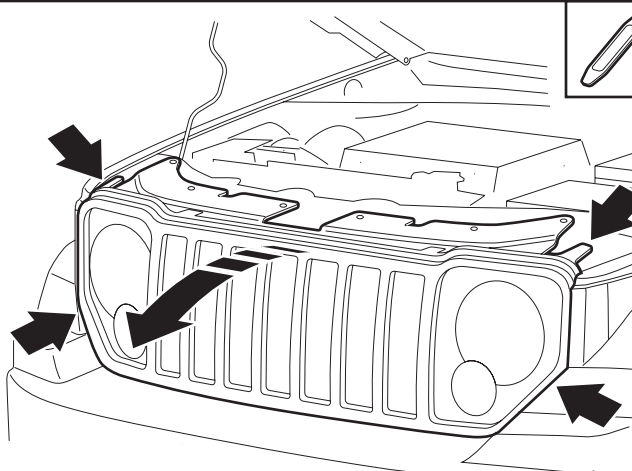
E 2x



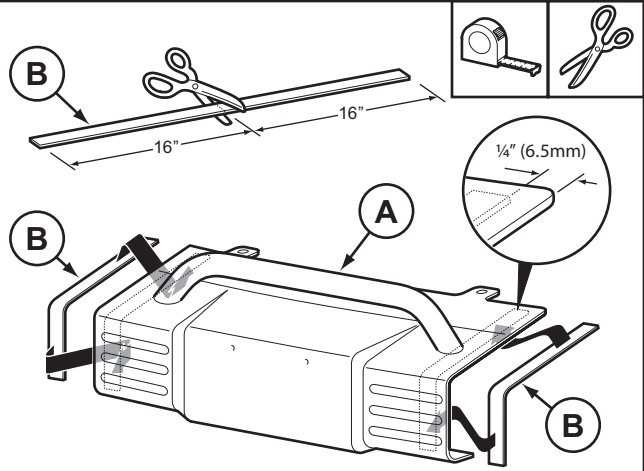
1 Clean vehicle in the area of installation.



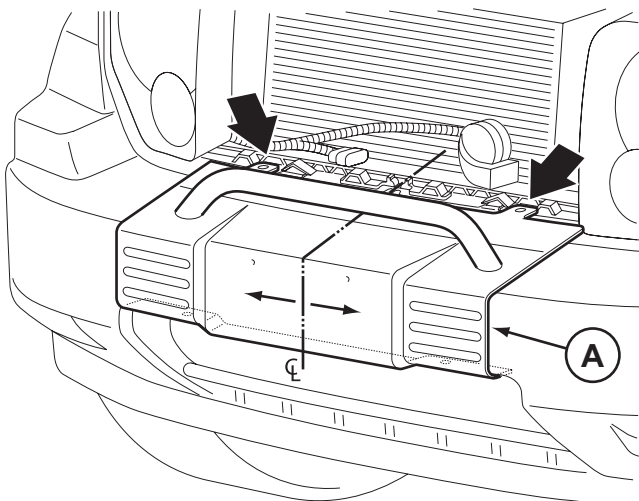
2 Remove and save upper grille screws.



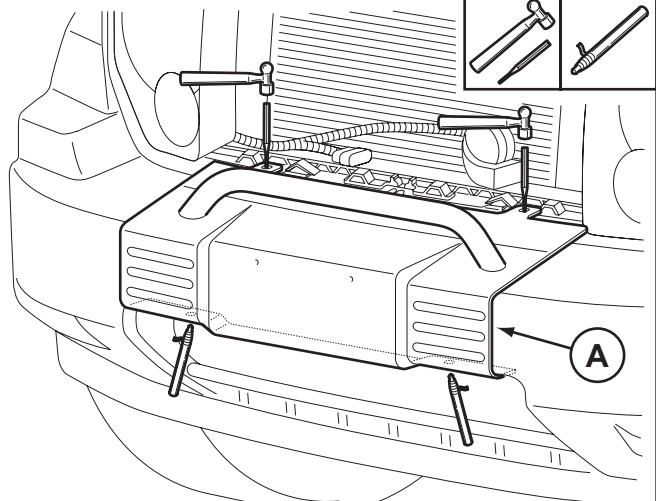
3 Using the plastic wedge tool, unclip fasteners and remove the grille.



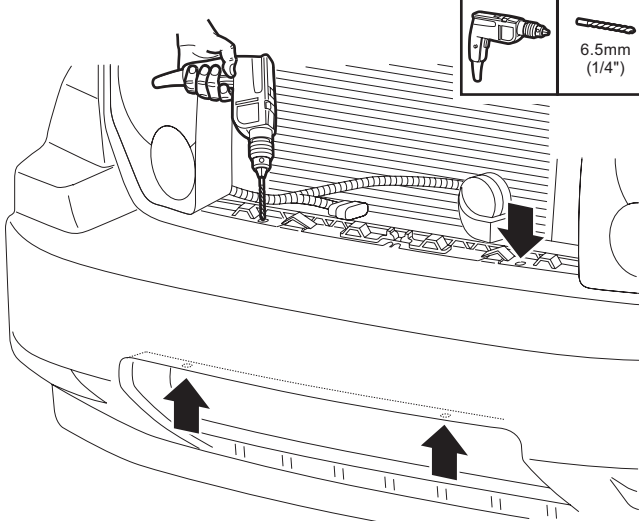
4 Cut 32" felt tape into two 16" sections. Remove backing and apply adhesive side to inside of tubular guard as shown.



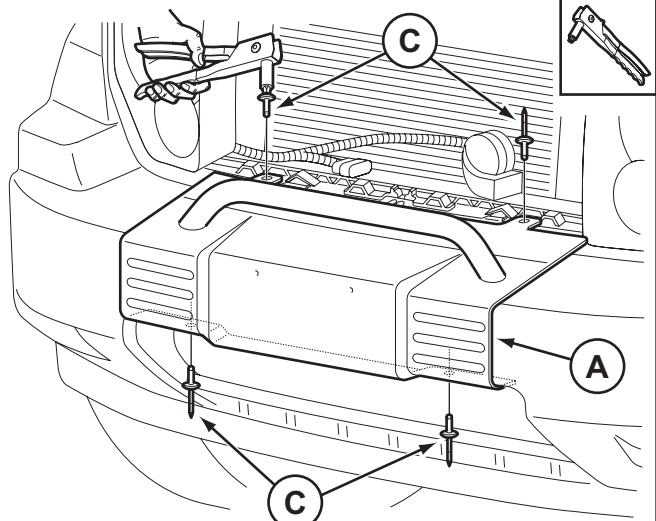
5 Place tubular guard onto front fascia with tabs in position as shown. Make sure tubular guard is centered and back edge is in alignment with fascia back edge.



6 Using holes in tubular guard as a template, transfer the four (4) locations on the vehicle for the holes to be drilled.



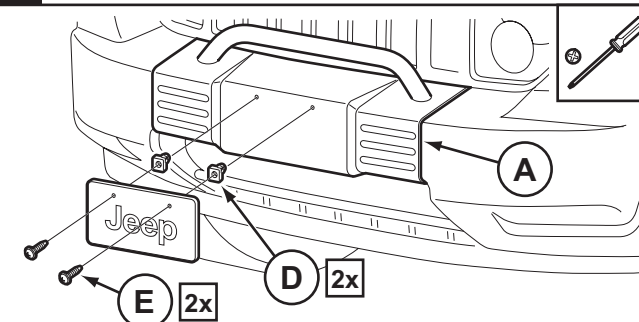
7 Remove tubular guard and drill holes (4 locations) as shown.



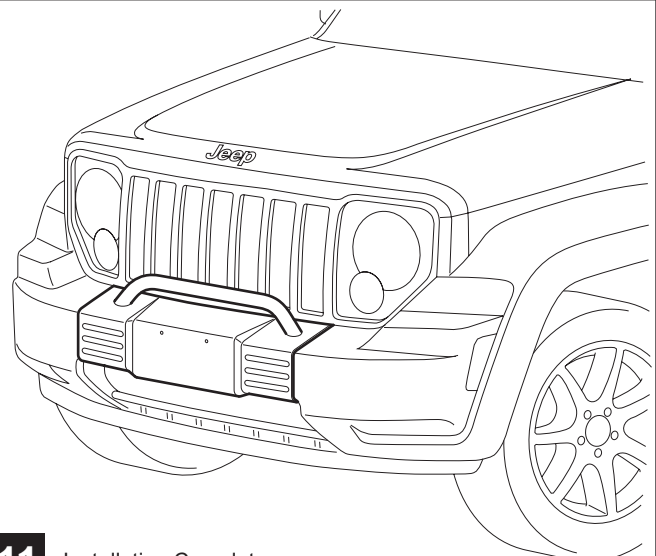
8 Replace tubular guard, line up holes and secure with 4 rivets.



9 Carefully replace the grille and re-attach using reverse procedure of step 3 and step 2.



10 VEHICLES WITH FRONT LICENSE PLATE ONLY
Install license plate to tubular guard as shown.



11 Installation Complete.